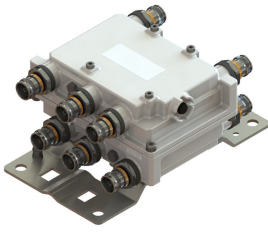


E14F11P14



Twin Multiplexer (Diplexer plus hybrid combiner) 555-2690MHz/3300-5925MHz/555-5925, 4.3-10, DC Block

- New Combining Solution to introduce 5G, 3.5GHz band
- Industry leading PIM performance
- dc/AISG blocking on all ports (DC open)
- Three Inputs and Two Combined Outputs per module
- New 4.3-10 connectors for improved PIM performance and size reduction
- Twin configuration

Product Classification

Product Type Diplexer

General Specifications

Modularity 2-Twin

Mounting Pole | Wall

RF Connector Interface 4.3-10 Female

Dimensions

Height 160 mm | 6.299 in

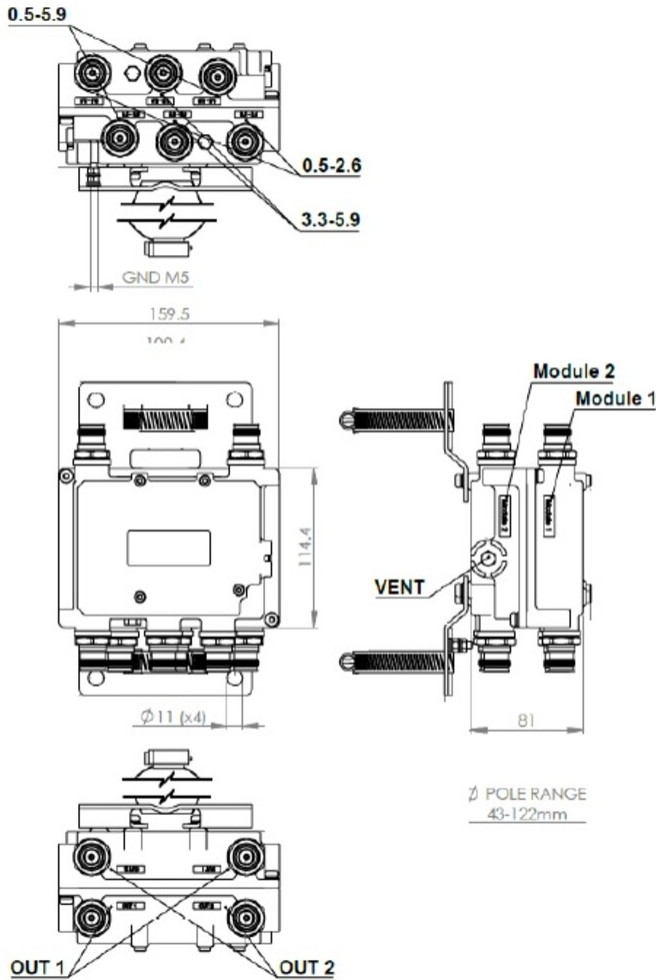
Width 115 mm | 4.528 in

Depth 81 mm | 3.189 in

Ground Screw Diameter 5 mm | 0.197 in

Outline Drawing

E14F11P14



Electrical Specifications

License Band, Band Pass

APT 700 | AWS 1700 | AWS 2000 | CEL 850 | CEL 900 | DCS 1800 | EDD 800 | IMT 2100 | IMT 2600 | LAA 5000 | LMR 750 | LMR 800 | PCS 1900 | SDL 1400 | TDD 2300 | TDD 2600 | TDD 3500 | TDD 5000 | USA 600 | USA 700 | USA 750 | WCS 2300

Electrical Specifications, Common Port

Composite Power, RMS 300 W

Electrical Specifications, dc Power/Alarm

dc/AISG Pass-through Method No dc/AISG pass-through

Electrical Specifications

E14F11P14

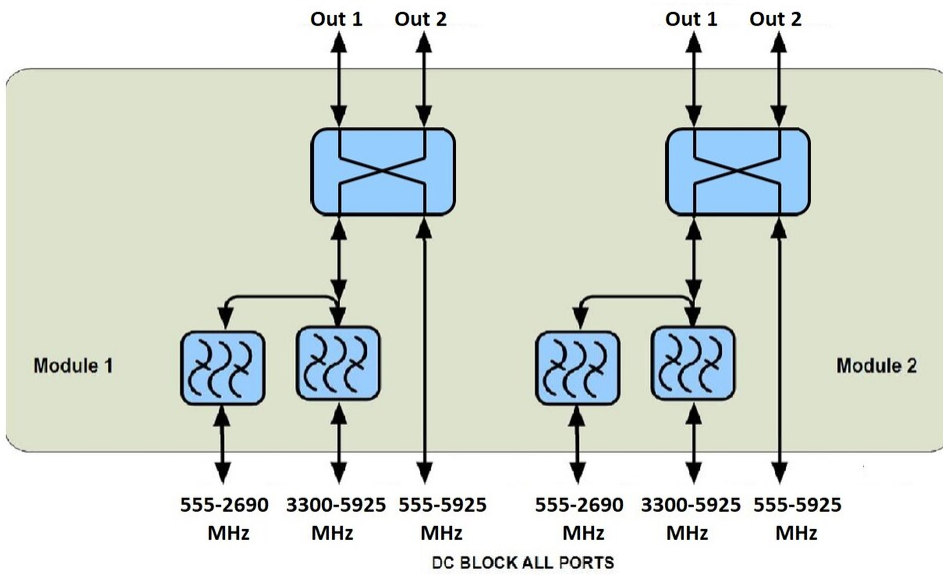
Sub-module	1 2	1 2	1 2
Branch	1	2	3
Port Designation	555-2690	3300-5925	555-5925
License Band	APT 700, Band Pass LMR 750, Band Pass PCS 1900, Band Pass USA 700, Band Pass USA 750, Band Pass WCS 2300, Band Pass AWS 1700, Band Pass TDD 2300, Band Pass TDD 2600, Band Pass USA 600, Band Pass SDL 1400, Band Pass AWS 2000, Band Pass CEL 850, Band Pass CEL 900, Band Pass DCS 1800, Band Pass EDD 800, Band Pass IMT 2100, Band Pass IMT 2600, Band Pass	TDD 5000, Band Pass LAA 5000, Band Pass TDD 3500, Band Pass	APT 700, Band Pass PCS 1900, Band Pass USA 700, Band Pass USA 750, Band Pass WCS 2300, Band Pass AWS 1700, Band Pass TDD 2300, Band Pass TDD 2600, Band Pass TDD 5000, Band Pass LAA 5000, Band Pass USA 600, Band Pass TDD 3500, Band Pass SDL 1400, Band Pass AWS 2000, Band Pass LMR 800, LNA CEL 850, Band Pass CEL 900, Band Pass DCS 1800, Band Pass EDD 800, Band Pass IMT 2100, Band Pass IMT 2600, Band Pass

Electrical Specifications, Band Pass

	555–2690	3300–5925	555–5925
Frequency Range, MHz	555–2690	3300–5925	555–5925
Insertion Loss, maximum, dB	0.25	0.35	0.2
Coupling, dB	3	3	3
Coupling Tolerance, dB	±1.1	±1	±1.2
Total Group Delay, maximum, ns	10	10	2
Return Loss, typical, dB	20	20	20
Isolation, minimum, dB	20 @ 555–2690 50 @ 3300–5925	50 @ 555–2690 20 @ 3300–5925	20 @ 555–2690 20 @ 3300–5925
Input Power, RMS, maximum, W	100	100	100
Input Power, PEP, maximum, W	1000	1000	1000
3rd Order PIM, typical, dBc	-161	-161	-161
3rd Order PIM Test Method	2 x 20 W CW tones	2 x 20 W CW tones	2 x 20 W CW tones

Block Diagram

E14F11P14



Environmental Specifications

Operating Temperature	-40 °C to +65 °C (-40 °F to +149 °F)
Corrosion Test Method	IEC 60068-2-11, 30 days
Ingress Protection Test Method	IEC 60529:2001, IP68

Packaging and Weights

Volume	1.5 L
Weight, with mounting hardware	3.4 kg 7.496 lb
Weight, without mounting hardware	2.9 kg 6.393 lb