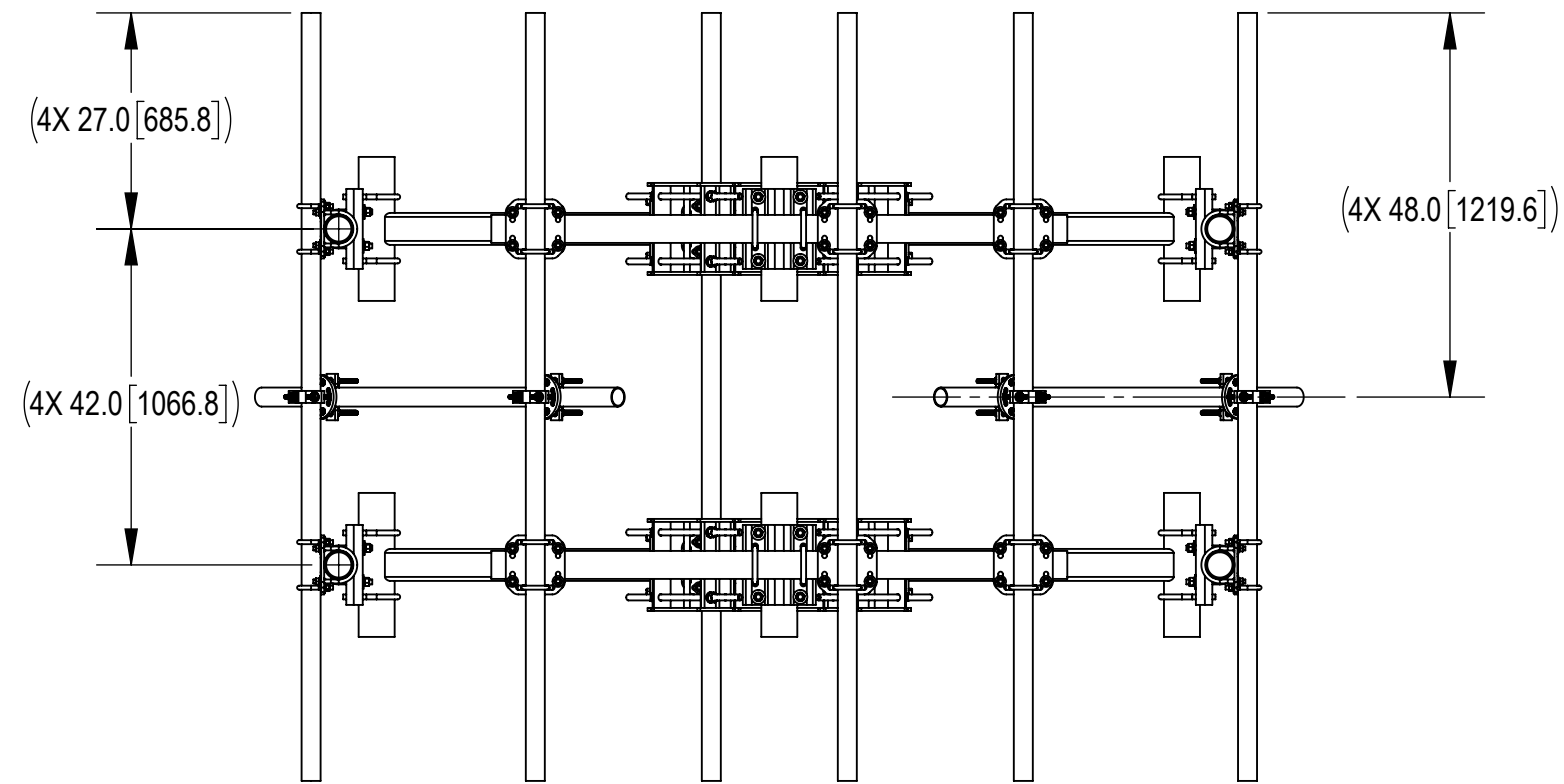
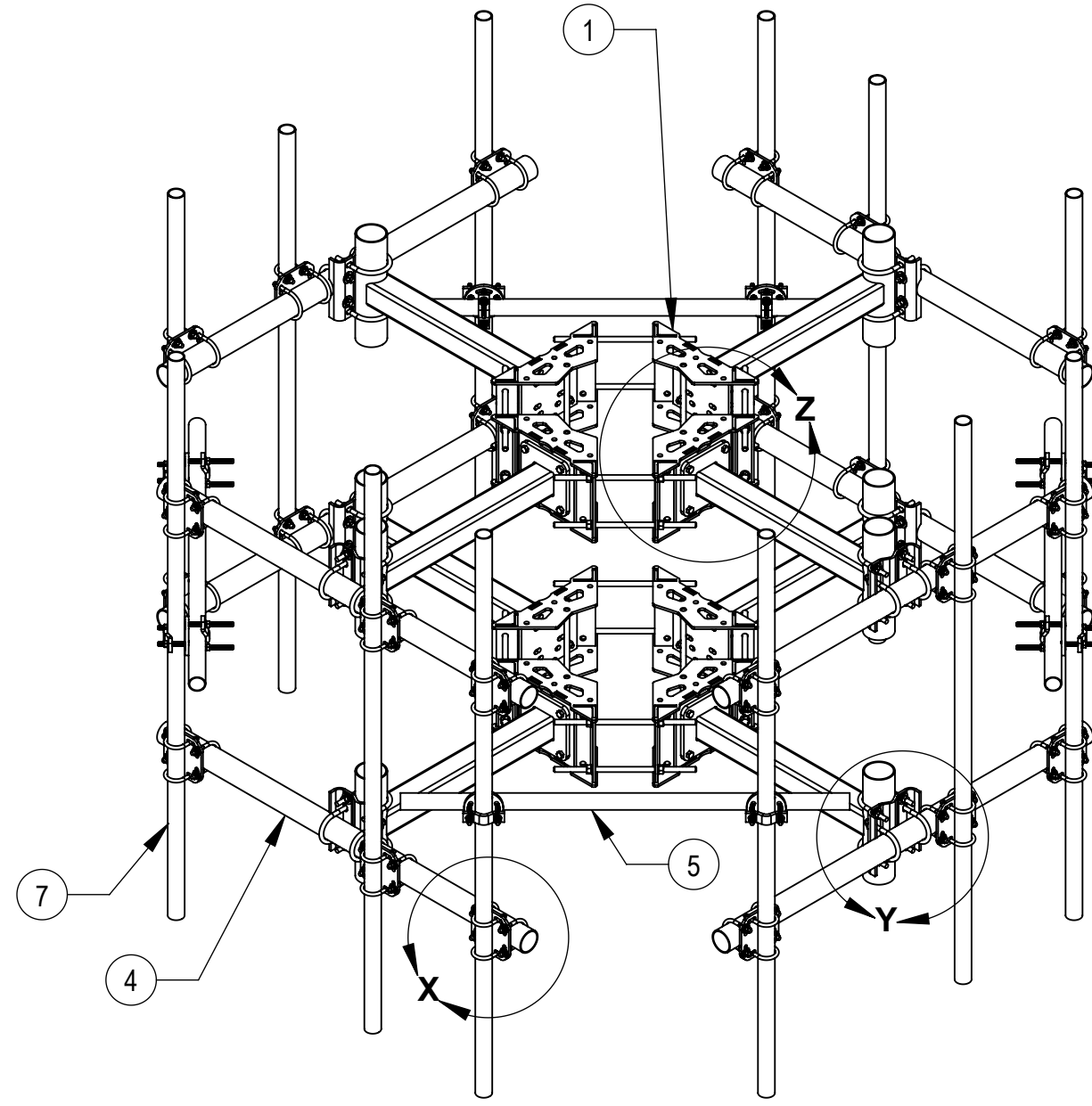
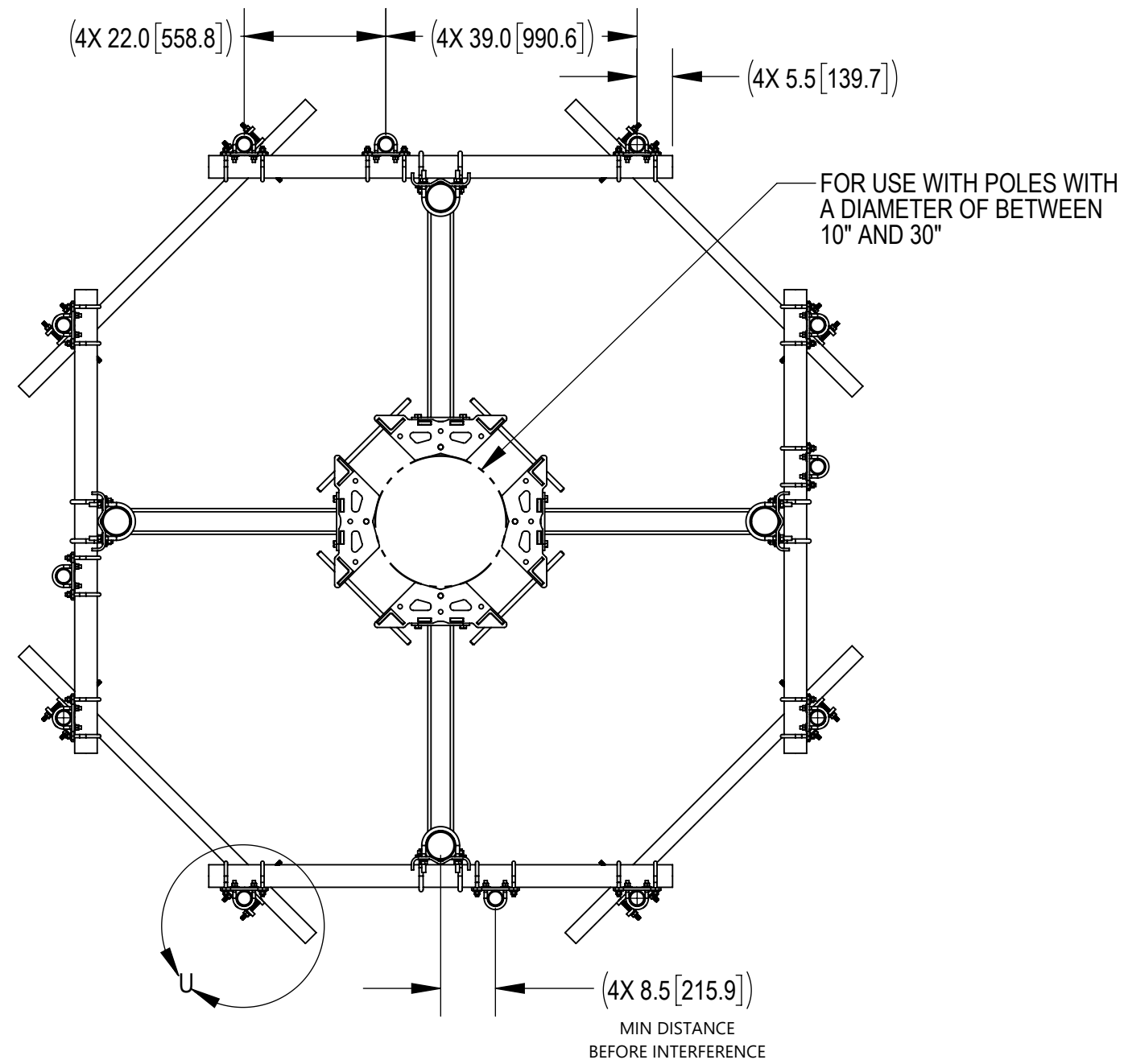


NOTES:
 1.0 GENERAL
 1.1 ALL METRIC DIMENSIONS ARE IN BRACKETS
 1.2 FOR PATENTS, SEE WWW.CS-PAT.COM
 2.0 DESIGN NOTES
 3.0 MANUFACTURING/SPECIAL REQUIREMENTS
 4.0 TEST
 5.0 PACKAGING

REVISIONS				
REV.	ECN	DESCRIPTION	BY	DATE
A	8000040914	INITIAL RELEASE	MRC	05/18/20
B	40149314CMO	ADD TIE BACK AND CONNECTIN	CB1094	5/31/2022



COMPONENT PART NUMBERS PROVIDED FOR ASSEMBLY PURPOSES;
 INDIVIDUAL COMPONENTS MAY BE SHIPPED AS PARTS WITHIN AN INCLUDED KIT.

ITEM NO.	PART NUMBER	DESCRIPTION	QTY.
1	MC-RM1030-4	FOUR SECTOR RING MOUNT, 10-30 OD	2
2	MT19701	36" SINGLE SUPPORT ARM	8
3	MT216NSH	12" CENTER BRACKET	8
4	MT54772	Ø 3.50" O.D X 72" PIPE	8
5	MT-650-63	Ø 2.375" OD x 120" WALL x 63" PIPE	4
6	XP-2030	CROSSOVER PLATE KIT, 2-3/8 OD X 3-1/2 OD	24
7	MT-651-96	PLAIN END PIPE 2-3/8" OD X 96"	12
8	GB-05225	5/8" X 2-1/4" GALV BOLT KIT	32
9	XP-R	CROSSOVER PLATE, ROUND, UP TO 3.5" OD	8

DENSITY	1977.62	lbs/in ³
MASS	6982.60	lbs
VOLUME	61994.37	in ³
SURFACE AREA	131"	in ²
HEIGHT	96"	
LENGTH	131"	
WIDTH	131"	

© 2022 CommScope, Inc.

COMMSCOPE, INC. OF NORTH CAROLINA

TOLERANCES		SAP MATERIAL MASTER	
0 PLACE X ± .25	2 PLACE .XX ± 0.06	MTC4107S	
1 PLACE .X ± 0.12	ANGLES ± 2°		
FINISH GALV A123		MATERIAL SEE BOM	
UNLESS OTHERWISE SPECIFIED DIMENSIONS ARE IN INCHES INTERPRET PER ANSI Y 14.5M-1994		NAME	DATE
		CE MRC	05/14/20
ECN 40149314CMO		RW YMENG	06/24/2022
		RV	06/24/2022
SIZE WORK AREA INSL		AD CB1094	07/15/2022
		RE YMENG	07/15/2022
TITLE		DRAWING	
T-ARM, DOUBLE, 4 SCT, 10-30, 36/72 (STND/HR)		SCALE	DOCUMENT NO.
		1:24	MTC4107S
VERSION	STATUS	REVISION	VERSION
01	RE	B	01
SHEET		REVISION	
1 OF 2		B	

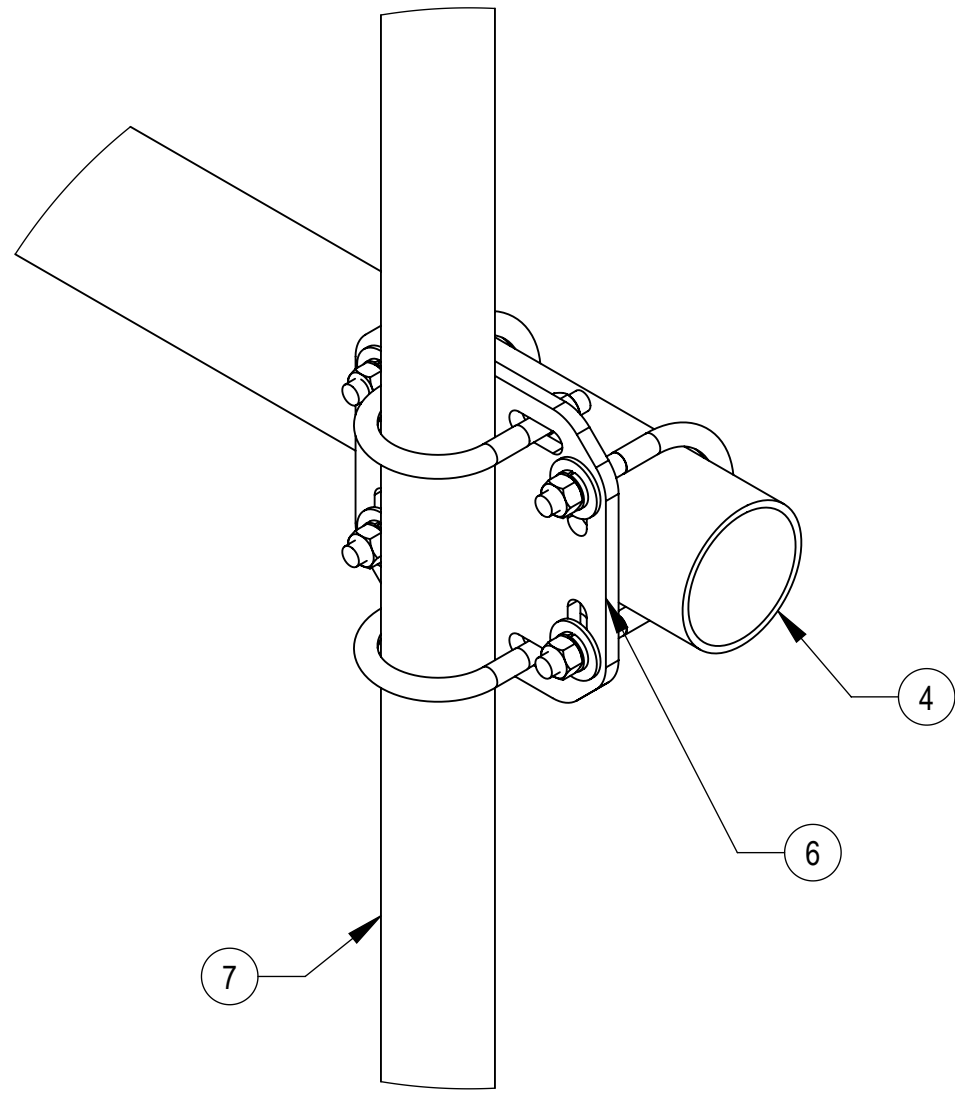
4

3

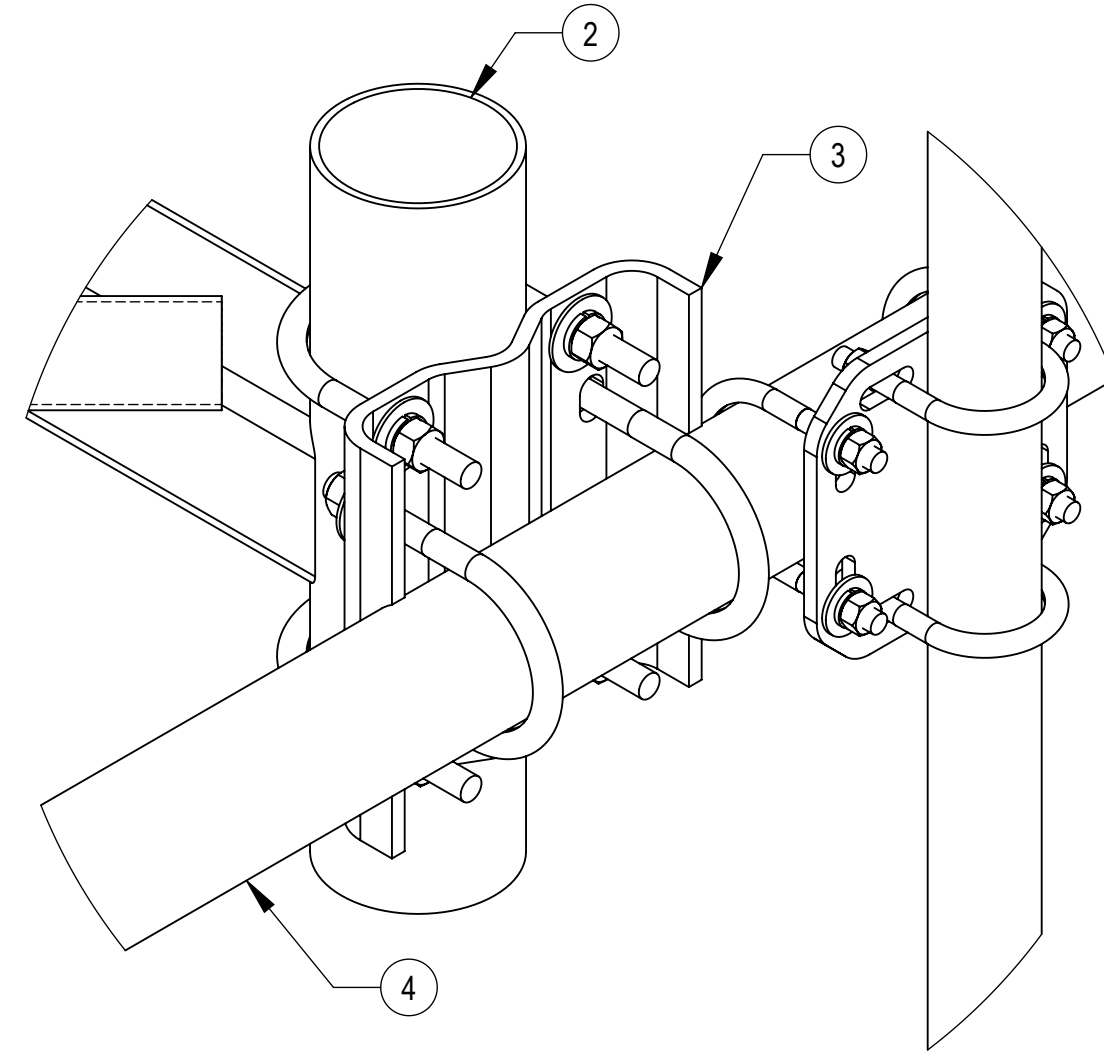
2

1

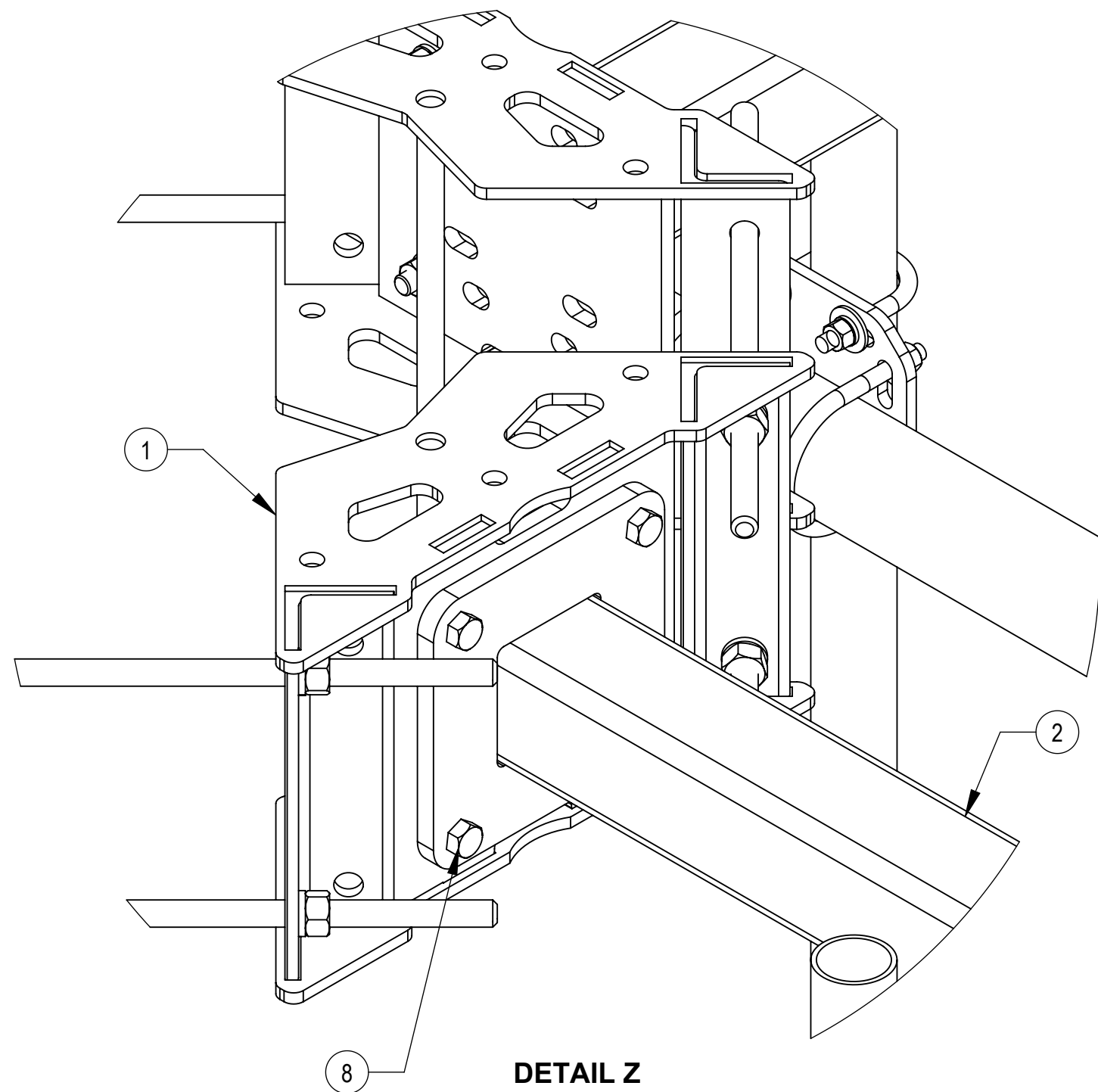
NOTES:



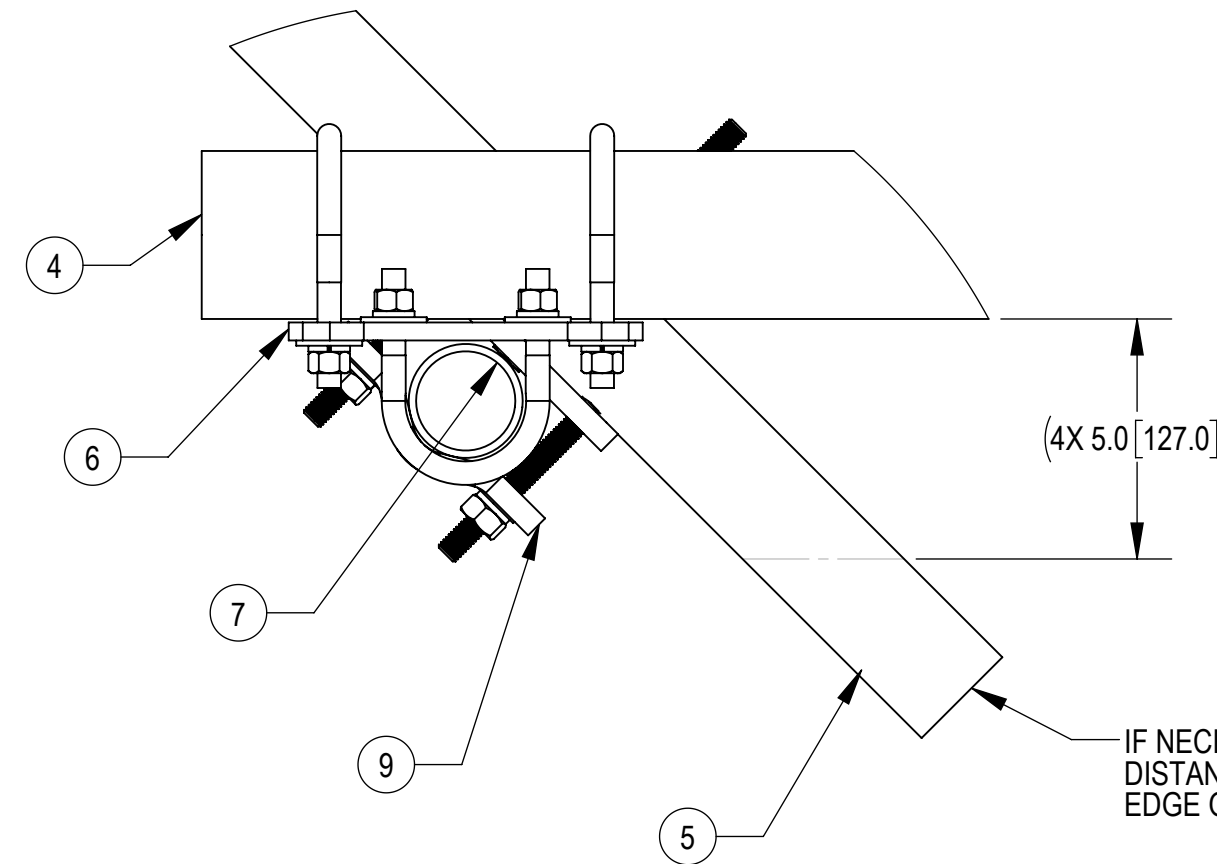
DETAIL X
SCALE 1 : 4



DETAIL Y
SCALE 1 : 4



DETAIL Z
SCALE 1 : 4

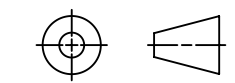


DETAIL U
SCALE 1 : 4

IF NECESSARY, CUT ITEM 10 TO ENSURE THE DISTANCE BETWEEN THE END OF ITEM 10 AND EDGE OF ITEM 1 NOT EXCEED 5"

COMMSCOPE, INC. OF NORTH CAROLINA				
TITLE T-ARM,DOUBLE,4 SCT,10-30,36/72(STND/HR)				
SIZE C	SCALE 1:24	DOCUMENT NO. MTC4107S		
		DRAWING		SHEET
		VERSION	STATUS	REVISION
		01	RE	B
				SHEET 2 OF 2

© 2022 CommScope, Inc.



4

3

2

1

D

D

C

C

B

B

A

A