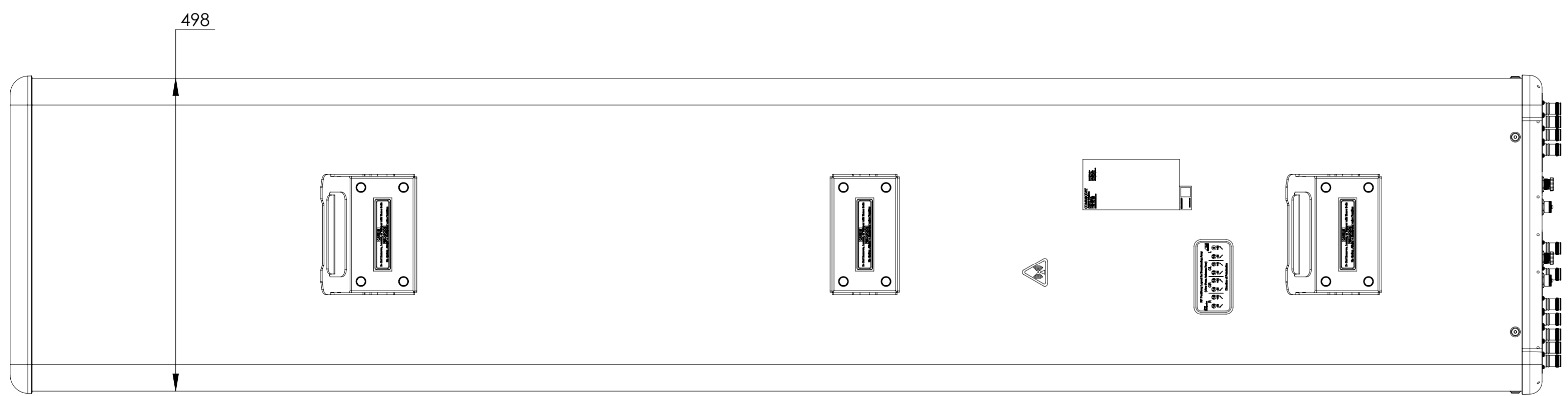
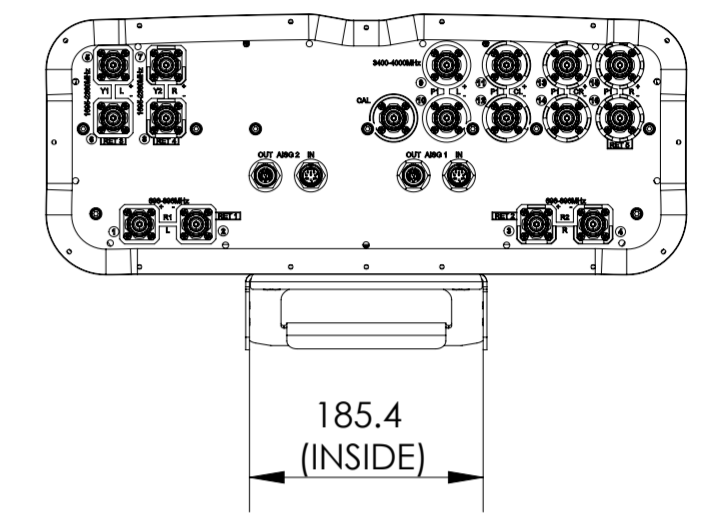
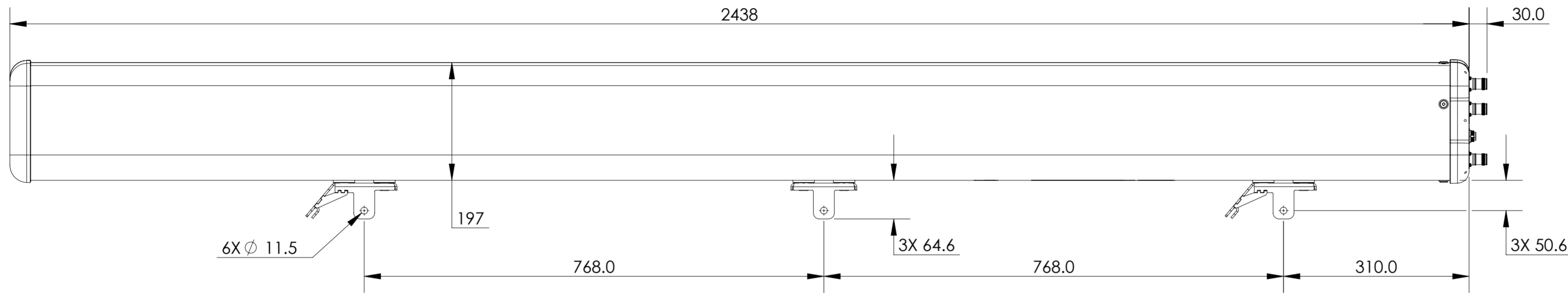


REVISIONS			
REV.	DESCRIPTION	DATE	APPROVED
A	ECR 8000042794: RELEASE TO PRODUCTION PER EAO 609021.	28JAN21 SN	CM/UK
C	ECR 12369: UPDATE DRAWING WITH NEW BOTTOM ENDCAP.	19MAY21 YJP	ZYL/YZLI
D	ECR 14720: LABEL POSITION UPDATED.	26AUG21 GB	CM/UK
E	ECR 15585PC: UPDATE DRAWING WITH NEW BOTTOM ENDCAP.	28OCT21 SL	DM.WANG/WFW
F	ECR 40152755CMO: UPDATE DRAWING WITH LATEST MODEL.	02AUG22 CN	DM.WANG/WFW



NNHHS4-65C-R5

COMMSCOPE, INC. OF NORTH CAROLINA

TOLERANCES		SAP MATERIAL MASTER	
0 PLACE X ±	2 PLACE .XX ±		
1 PLACE .X ±	ANGLES ±		
FINISH		MATERIAL	
<small>UNLESS OTHERWISE SPECIFIED DIMENSIONS ARE IN MILLIMETERS INTERPRET PER ISO STANDARDS HANDBOOK 1 TECHNICAL DRAWINGS VOLUMES 1 & 2, THIRD EDITION (2002)</small>		NAME	DATE
		CE SNAIK8	01/28/2021
		RW RY1017	08/18/2022
		AD DW1030	08/19/2022
		RE RY1017	08/19/2022
ECN 40152755CMO		SCALE	DOCUMENT NO.
		1:6	NNHHS4-65C-R5-L
SIZE	WORK AREA	BSA	MODEL
A2			VERSION STATUS REVISION
			06 RE G
			DRAWING
			VERSION STATUS REVISION
			05 RE F
			SHEET
			1 OF 1