

TA-HFHF



4.3-10 Female to 4.3-10 Female Low-PIM Adapter

Product Classification

Product Type Adapter

General Specifications

Body Style Straight

Inner Contact Plating Silver

Interface 4.3-10 Female

Interface 2 4.3-10 Female

Mounting Angle Straight

Outer Contact Plating Trimetal

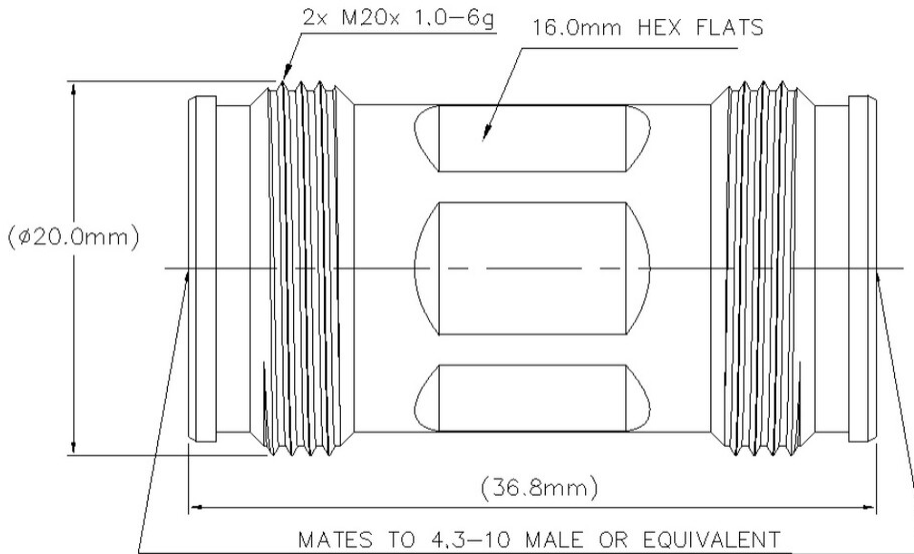
Dimensions

Length 36.8 mm | 1.449 in

Diameter 20 mm | 0.787 in

TA-HFHF

Outline Drawing



Electrical Specifications

3rd Order IMD at Frequency	-119 dBm @ 1900 MHz
3rd Order IMD Test Method	Two +43 dBm carriers
Connector Impedance	50 ohm
dc Test Voltage	2500 V
Inner Contact Resistance, maximum	1 mOhm
Insulation Resistance, minimum	5000 MOhm
Operating Frequency Band	0 – 6000 MHz
Outer Contact Resistance, maximum	1 mOhm

VSWR/Return Loss

Frequency Band	VSWR	Return Loss (dB)
0–3000 MHz	1.052	32
3000–6000 MHz	1.106	26

Mechanical Specifications

Coupling Nut Proof Torque	8 N-m 70.806 in lb
Coupling Nut Retention Force	450 N 101.164 lbf
Interface Durability	100 cycles

TA-HFHF

Mechanical Shock Test Method IEC 60068-2-27

Environmental Specifications

Operating Temperature -55 °C to +85 °C (-67 °F to +185 °F)
Storage Temperature -65 °C to +125 °C (-85 °F to +257 °F)
Attenuation, Ambient Temperature 20 °C | 68 °F
Average Power, Ambient Temperature 40 °C | 104 °F
Average Power, Inner Conductor Temperature 100 °C | 212 °F
Climatic Sequence Test Method IEC 60068-1
Corrosion Test Method IEC 60068-2-11
Damp Heat Steady State Test Method IEC 60068-2-3
Immersion Depth 1 m
Immersion Test Mating Mated
Immersion Test Method IEC 60529:2001, IP68
Thermal Shock Test Method IEC 60068-2-14
Vibration Test Method IEC 60068-2-6

Packaging and Weights

Weight, net 40 g | 0.088 lb

Regulatory Compliance/Certifications

Agency	Classification
CHINA-ROHS	Above maximum concentration value
ROHS	Compliant/Exempted
UK-ROHS	Compliant/Exempted



* Footnotes

Immersion Depth Immersion at specified depth for 24 hours