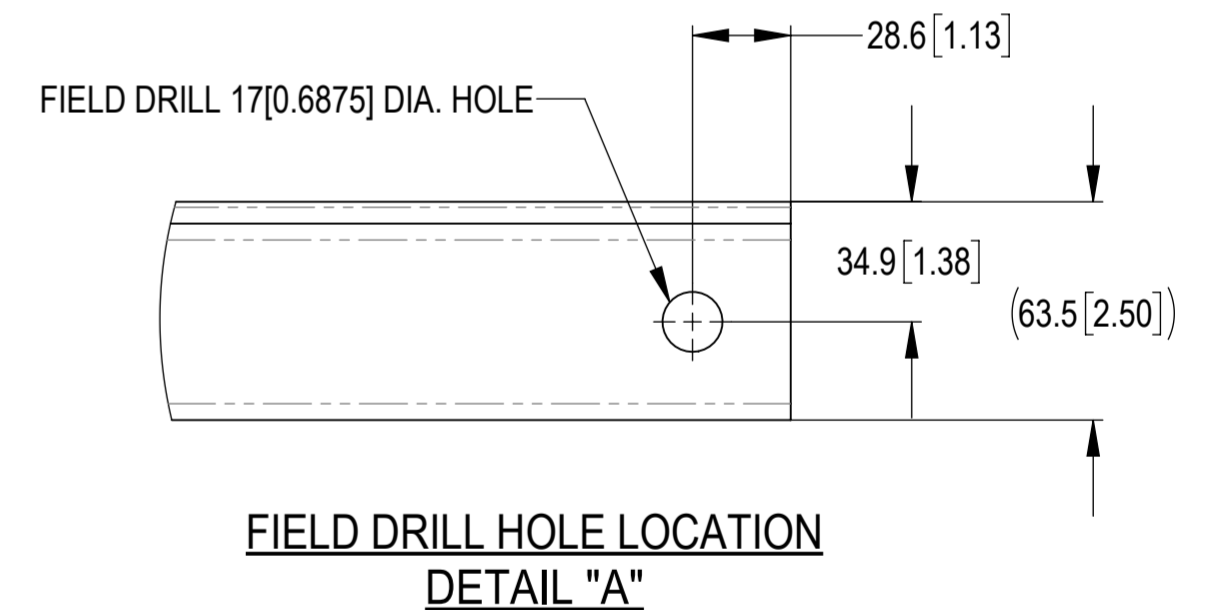
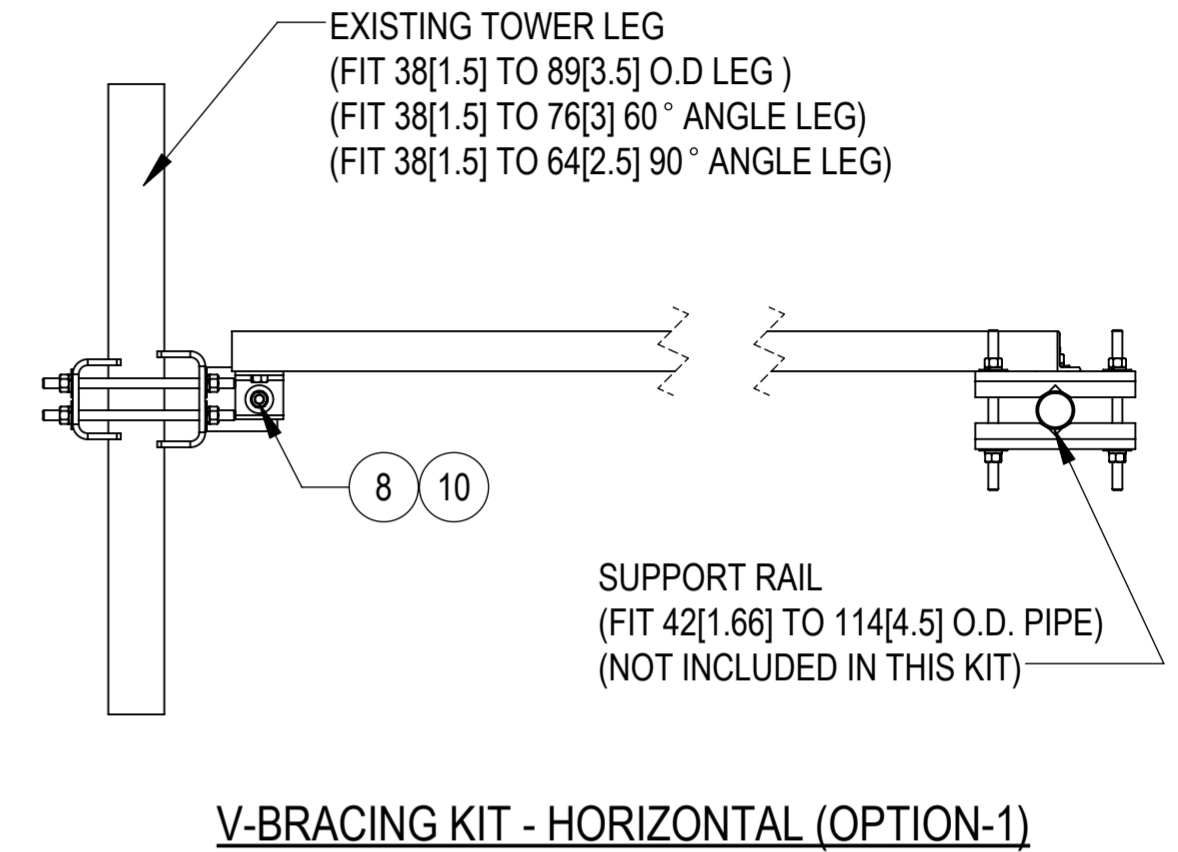
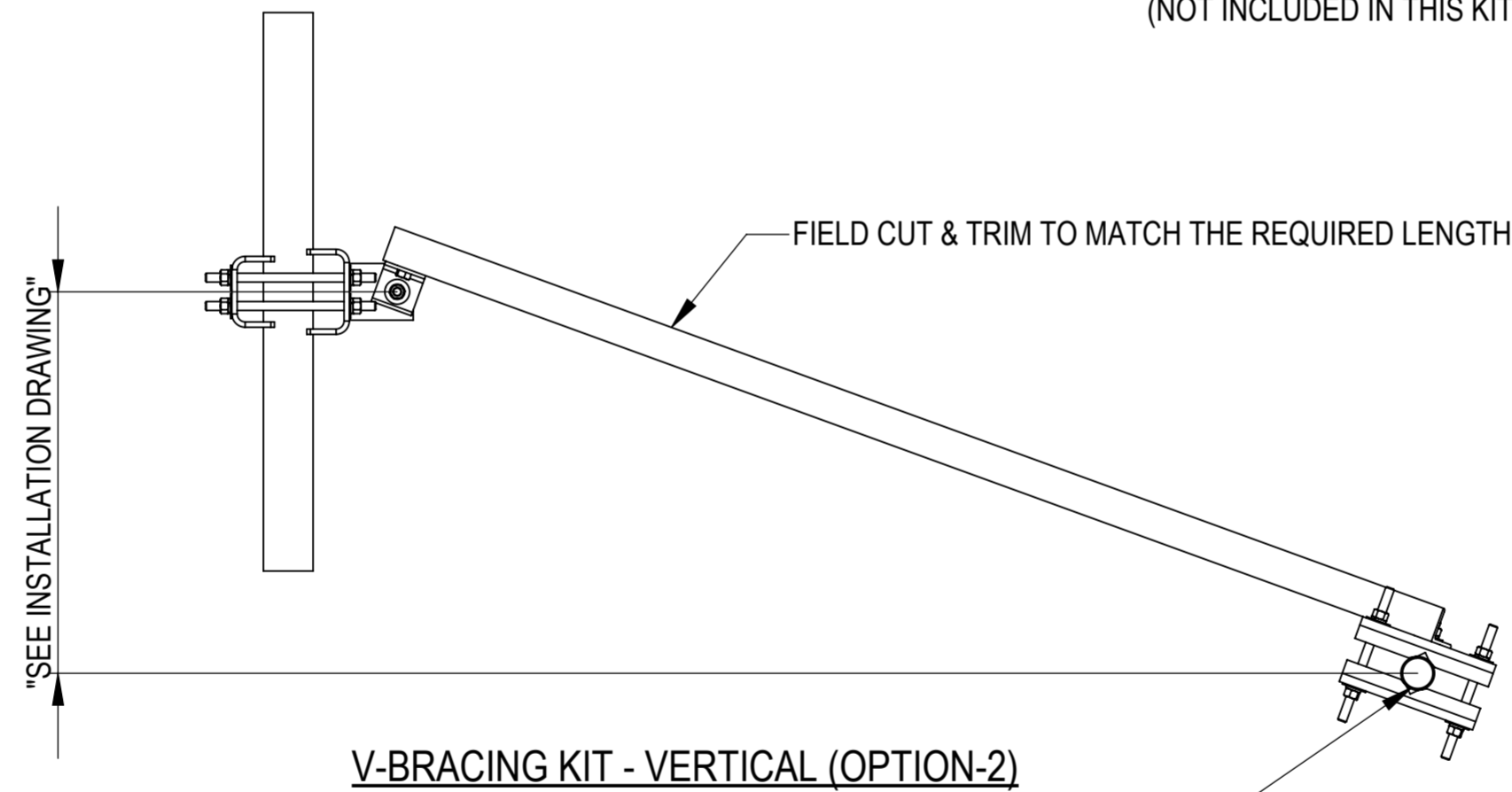
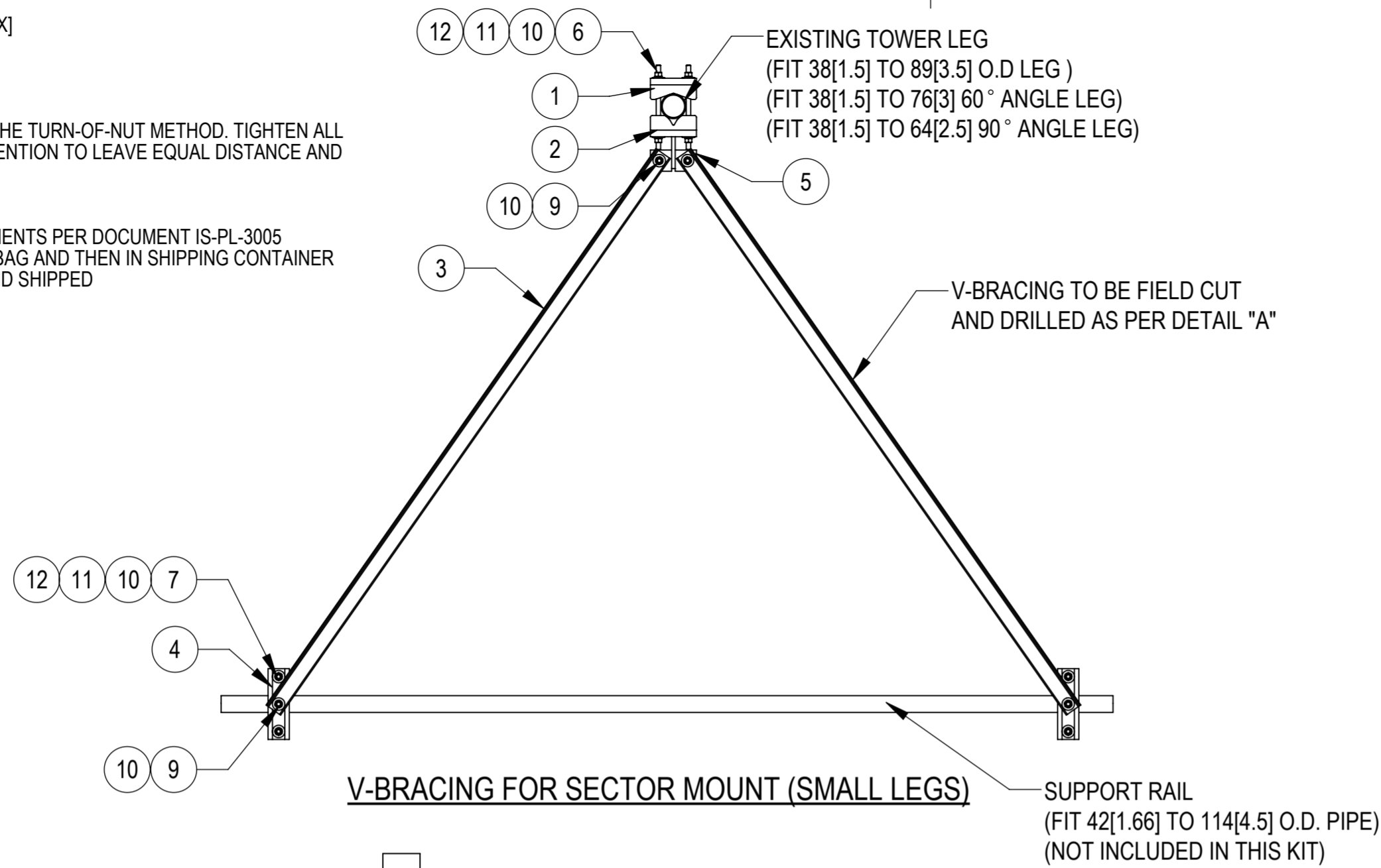


- 1.0 GENERAL NOTES
 1.1 ALL IMPERIAL DIMENSIONS ARE IN BRACKETS [X.XX]
 1.2 MARK PART WITH IDENTIFICATION NUMBER
 1.3 FOR PATENT INFO: <https://www.cs-pat.com>
 2.0 DESIGN NOTES
 3.0 MANUFACTURING/SPECIAL REQUIREMENTS
 3.1 TIGHTEN ALL BOLTS SECURING FLAT PLATES BY THE TURN-OF-NUT METHOD. TIGHTEN ALL U-BOLTS USING TURN-OF-NUT METHOD WITH ATTENTION TO LEAVE EQUAL DISTANCE AND EQUAL FORCE ON EACH LEG OF THE U-BOLT.
 4.0 TEST
 5.0 PACKAGING
 5.1 PACKAGING SHALL MEET COMMSCOPE REQUIREMENTS PER DOCUMENT IS-PL-3005
 5.2 PRINTED DOCUMENT TO BE PLACED INSIDE POLYBAG AND THEN IN SHIPPING CONTAINER
 5.3 EXTRA HARDWARE MAYBE SUPPLIED, BAGGED AND SHIPPED



COMPONENT PART NUMBERS PROVIDED FOR ASSEMBLY PURPOSES;
 INDIVIDUAL COMPONENTS MAY BE SHIPPED AS PARTS WITHIN AN INCLUDED KIT.

ITEM	PART NO.	DESCRIPTION	QTY.	NOTE NO.
1	BP9625-65	CLAMP, V-BRACING BACK	1	
2	BRKW-VBSM-SL	WELDMENT, V-BRACING FRONT CLAMP	1	
3	A-SFK3-01	ANGLE 2-1/2" X 2-1/2" X 1/4"	2	
4	BP6875-10	CLAMP, V-BRACING FRONT	4	
5	AL-333	BRACKET, V-BRACING CLIP	2	
6	MT-381	5/8" X 12" GALV THREADED ROD	4	
7	MT-381-10	5/8" X 10" GALV THREADED ROD	4	
8	GB-0522A	5/8" X 2-1/4" GALV BOLT KIT (A325)	1	INCLUDES NUT, LOCK WASHER
9	GB-0516A	5/8" X 1-3/4" GALV BOLT KIT A325	4	INCLUDES NUT, LOCK WASHER
10	GW-05	5/8" GALV FLAT WASHER, 1.7OD	21	
11	GWL-05	5/8" GALV LOCK WASHER	16	
12	GN-05	5/8" GALV HEX NUT	16	

DENSITY	44.61	lbs/in ³
MASS	382.96	lbs
VOLUME	3146.67	in ³
SURFACE AREA	2030107.22	mm ²
DENSITY	20275.35	g/mm ³
MASS	6276036.03	grams
VOLUME	254[10.0]	mm ³
SURFACE AREA	2421[95.3]	mm ²
HEIGHT	165[6.5]	mm
LENGTH		
WIDTH		

COMMSCOPE, INC. OF NORTH CAROLINA

TOLERANCES		SAP MATERIAL MASTER	
0 PLACE	X[.X] ± 3[0.1]	2 PLACE	.XX[.XXX] ± 0.76[0.030]
1 PLACE	.X[.XX] ± 1.5[0.06]	ANGLES	± 1°
FINISH		MATERIAL	
		MUK-SFK3-SL	
UNLESS OTHERWISE SPECIFIED DIMENSIONS ARE IN MILLIMETERS INTERPRET PER ANSI Y 14.5M-1994	NAME	DATE	TITLE
	CE JL1183	16MAR23	V-BRACING KIT FOR SMALL LEGS
	RW JL1183	03/21/2023	
	AD YW1045	03/23/2023	
	RE YMENG	03/24/2023	
ECN 40168212CMO			
SCALE	DOCUMENT NO.	MUK-SFK3-SL	
1:24			
SIZE	Auth Group	INSL	MODEL
A2		VERSION	STATUS
		00	RE
REVISION	VERSION	STATUS	REVISION
A	00	RE	A
DRAWING			SHEET
			1 OF 1