

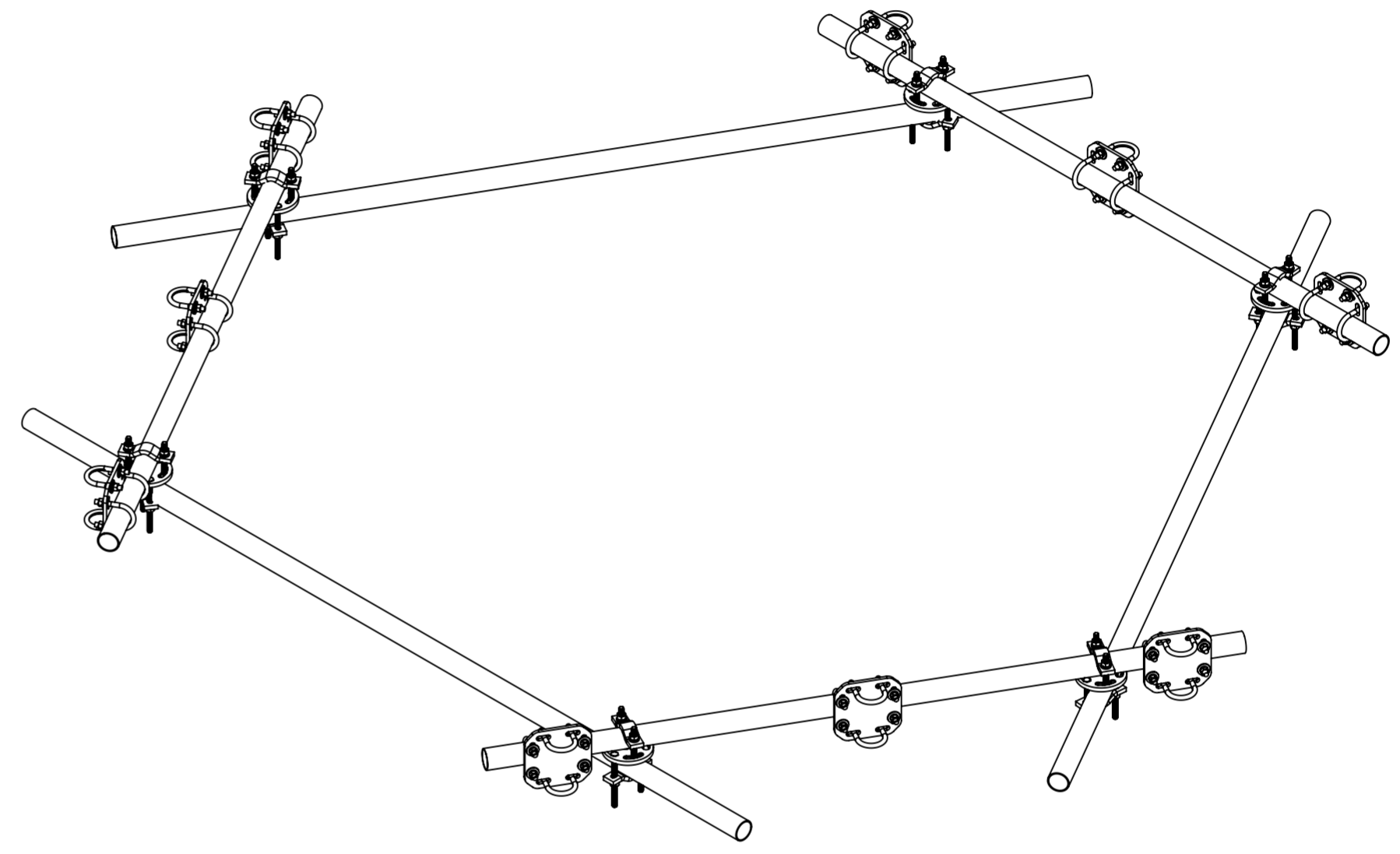
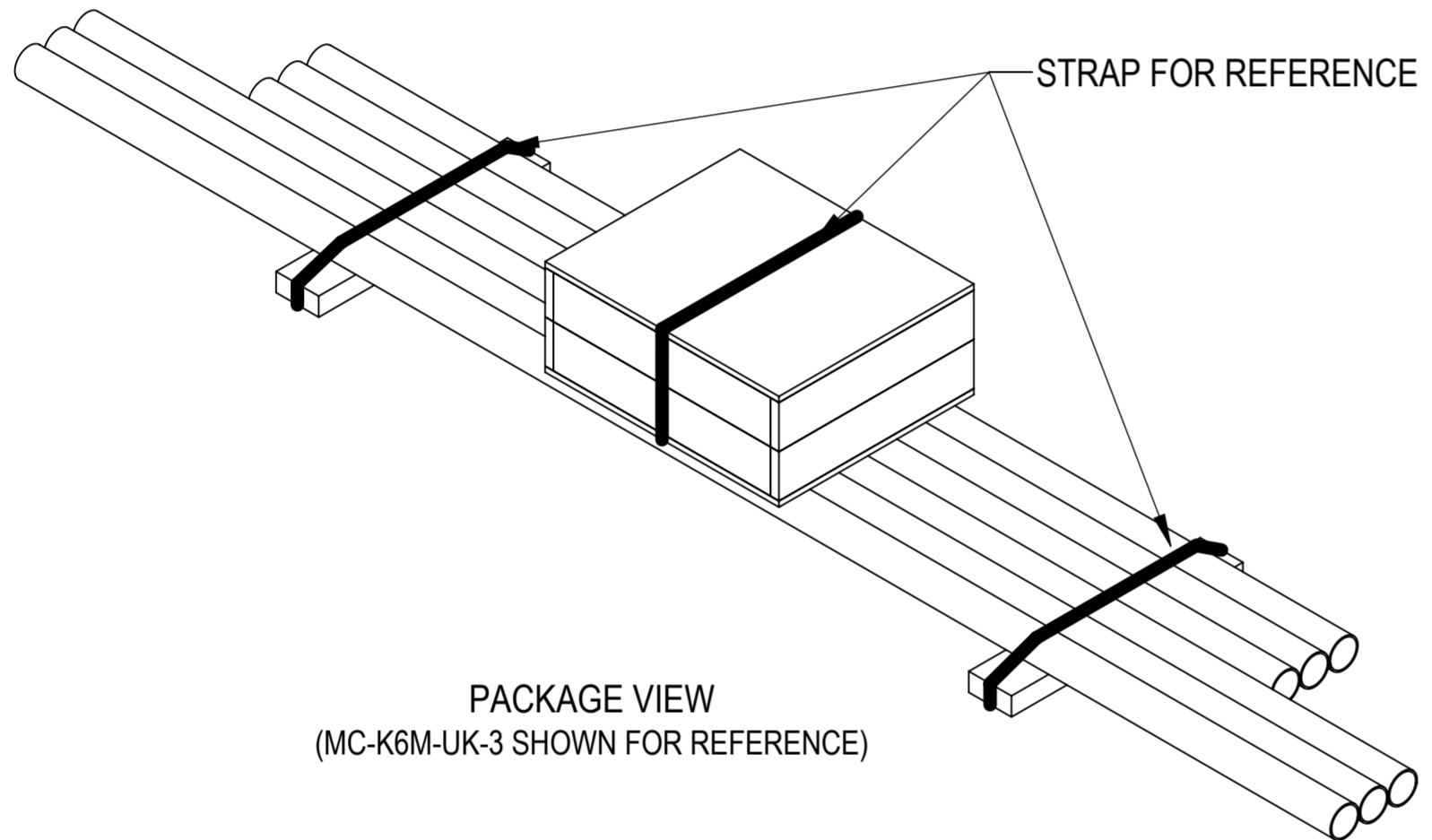
- 1.0 GENERAL NOTES
 1.1 ALL IMPERIAL DIMENSIONS ARE IN BRACKETS [X. XX]
 1.2 FOR PATENT INFO: <https://www.cs-pat.com>

- 2.0 DESIGN NOTES
 2.1 ANY HAZARDS OR OBSTRUCTIONS TO THE CLIMBING FACILITY AND SAFETY CLIMB MUST BE IDENTIFIED PRIOR TO INSTALLING THE APPURTENANCE. ADDITIONAL PRODUCTS MAY BE REQUIRED TO MAINTAIN THE INTEGRITY OF THE SAFETY CLIMB. DURING INSTALLATION, TEMPORARY AND/OR PERMANENT PRECAUTIONARY MEASURES SHOULD BE TAKEN TO PRESERVE THE CLIMBING FACILITY AND/OR SAFETY CLIMB.

- 3.0 MANUFACTURING/SPECIAL REQUIREMENTS
 3.1 TIGHTEN ALL BOLTS SECURING FLAT PLATES BY THE TURN-OF-NUT METHOD. TIGHTEN ALL U-BOLTS USING TURN-OF-NUT METHOD WITH ATTENTION TO LEAVE EQUAL DISTANCE AND EQUAL FORCE ON EACH LEG OF THE U-BOLT.

- 4.0 TEST
 5.0 PACKAGING
 5.1 PACKAGING SHALL MEET COMMSCOPE REQUIREMENTS PER DOCUMENT IS-PL-3005.
 5.2 PRINTED DOCUMENT TO BE PLACED INSIDE POLYBAG AND THEN IN SHIPPING CONTAINER.
 5.3 EXTRA HARDWARE MAYBE SUPPLIED, BAGGED AND SHIPPED.

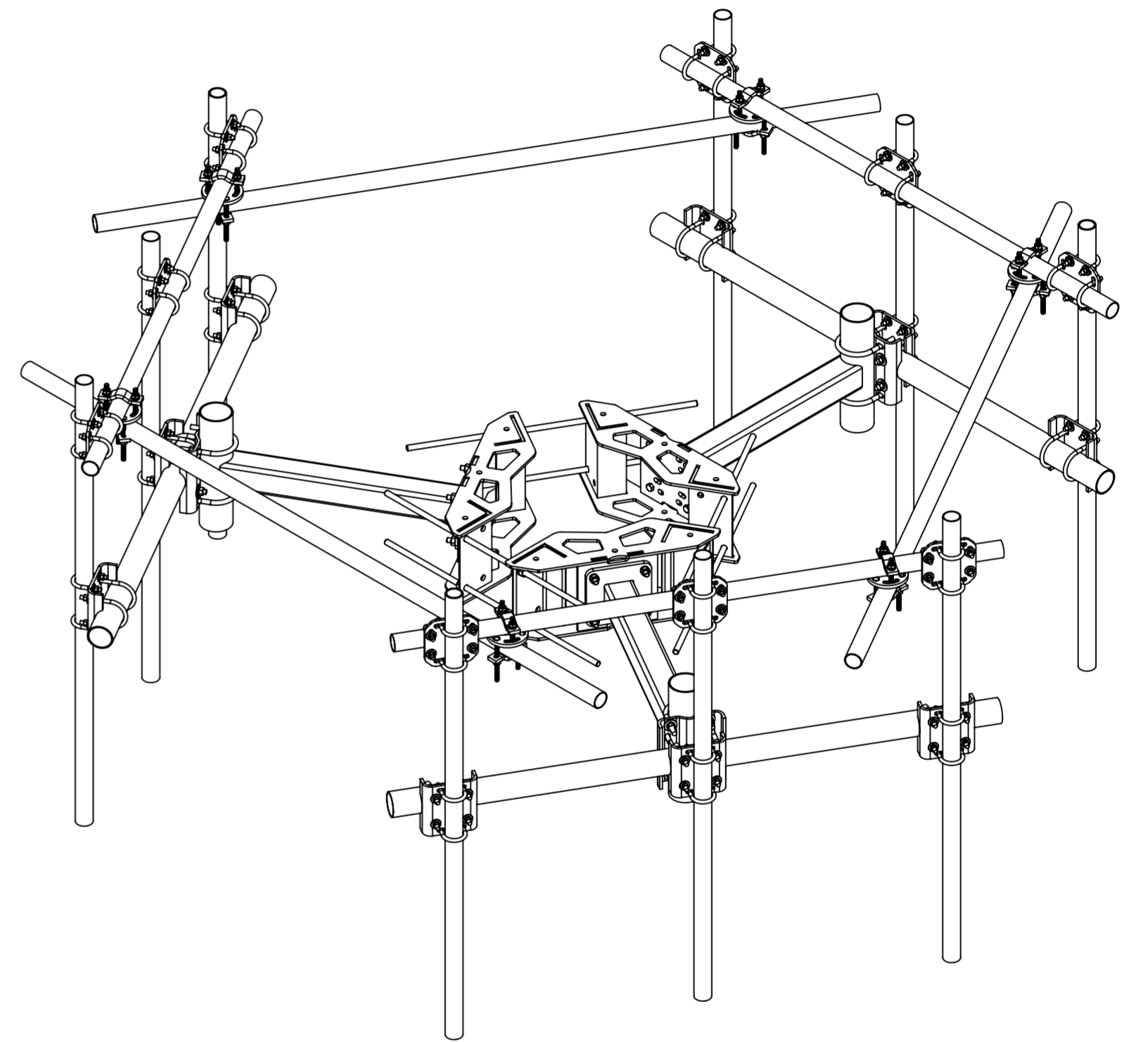
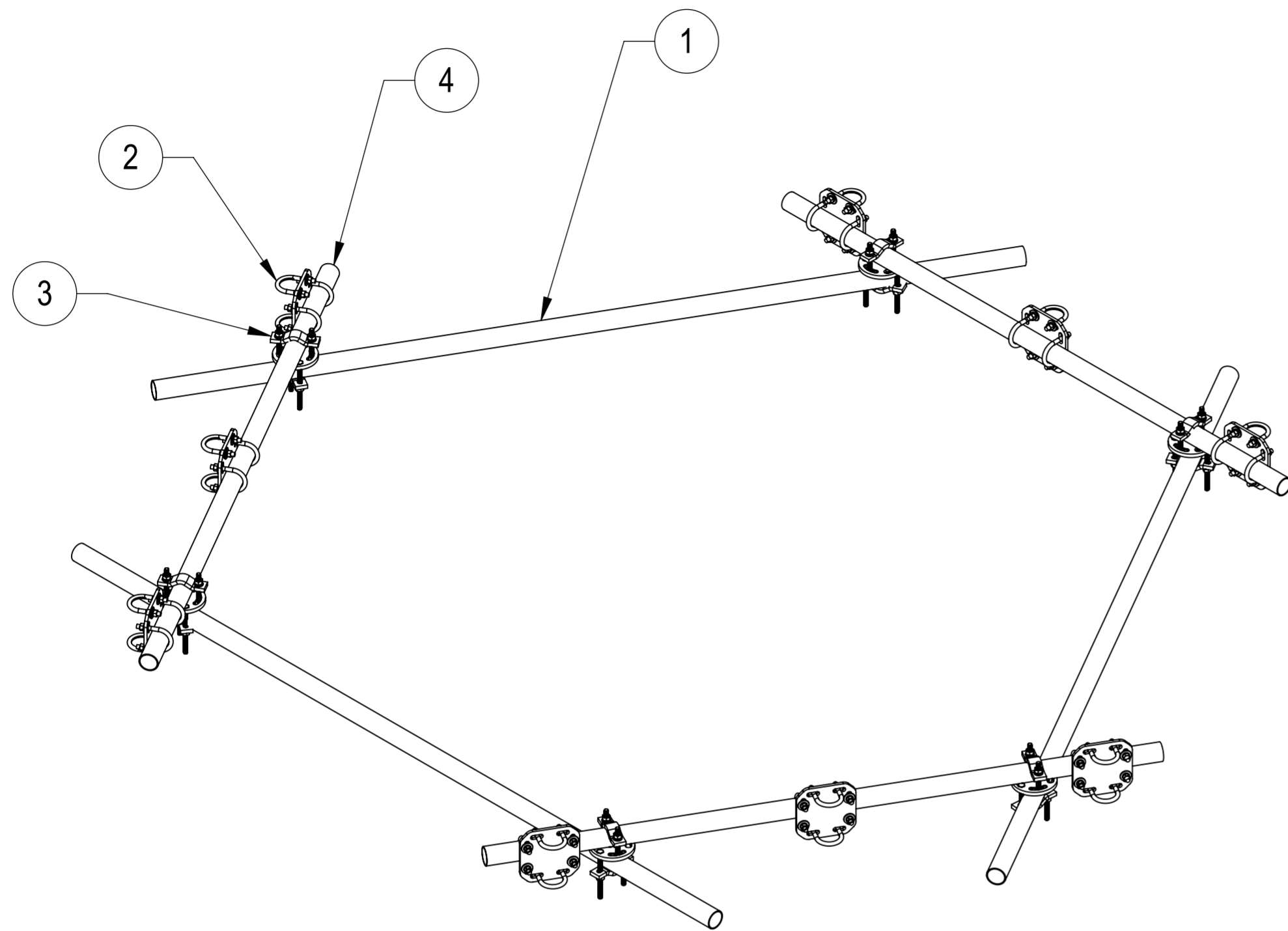
REVISIONS			
REV.	DESCRIPTION	DATE	APPROVED
A	INITIAL RELEASE	YH1102 15FEB23	YW1047 40165668CMO



TOP LEVEL ZNSK NUMBERS	
PART NO.	DESCRIPTION
MC-K6M-UK	UPGRADE-FOR 6'-FACE,3-PIPE,1-SEC
MC-K10M-UK	UPGRADE-FOR 10'-FACE,3-PIPE,1-SEC
MC-K12M-UK	UPGRADE-FOR 12'-FACE,4-PIPE,1-SEC
MC-K14M-UK	UPGRADE-FOR 14'-FACE,4-PIPE,1-SEC
MC-K6M-UK-3	UPGRADE-FOR 6'-FACE,3-PIPE,3-SEC
MC-K10M-UK-3	UPGRADE-FOR 10'-FACE,3-PIPE,3-SEC
MC-K12M-UK-3	UPGRADE-FOR 12'-FACE,4-PIPE,3-SEC
MC-K14M-UK-3	UPGRADE-FOR 14'-FACE,4-PIPE,3-SEC

COMMSCOPE, INC. OF NORTH CAROLINA

TOLERANCES		SAP MATERIAL MASTER	
0 PLACE X[.X] ± 6[0.25]	2 PLACE .XX[.XXX] ± 1.50[0.06]	SEE TABLE	
1 PLACE .X[.XX] ± 3.0[0.12]	ANGLES ± 2°		
FINISH		MATERIAL	
<small>UNLESS OTHERWISE SPECIFIED DIMENSIONS ARE IN MILLIMETERS INTERPRET PER ANSI Y 14.5M-1984</small>		NAME	DATE
		CE YH1102	14FEB23
		RW YMENG	03/14/2023
		AD BA1025	03/16/2023
RE YMENG	03/16/2023	MC-KM-UK SERIES	
ECN 40165668CMO			
SCALE	DOCUMENT NO.	MC-KM-UK SERIES	
1:20			
SIZE	Auth Group	INSL	MODEL
A2		VERSION	STATUS
		00	RE
DRAWING		REVISION	VERSION
		A	00
		STATUS	REVISION
		RE	A
			SHEET
			1 OF 3



ATTACHED ON T-ARMS VIEW

MC-K6M-UK-3 SHOWN FOR REFERENCE

COMPONENT PART NUMBERS PROVIDED FOR ASSEMBLY PURPOSES;
INDIVIDUAL COMPONENTS MAY BE SHIPPED AS PARTS WITHIN AN INCLUDED KIT.

ITEM	PART NO.	DESCRIPTION	QTY.	WEIGHT	NOTE
1	MT-651-108	Ø 2.375" OD X 108" PIPE	3	25.93 LBS	PART NO. AND QTY SEE INDIVIDUAL DRAWING
2	XP-2020	CROSSOVER PLATE KIT, 2-3/8 OD X 2-3/8 OD	9	7.77 LBS	PART NO. AND QTY SEE INDIVIDUAL DRAWING
3	XP-R	CROSSOVER PLATE, ROUND, UP TO 3.5" OD	6	6.20 LBS	PART NO. AND QTY SEE INDIVIDUAL DRAWING
4	MT-651-84	Ø 2.375" OD X 84" PIPE	3	20.35 LBS	PART NO. AND QTY SEE INDIVIDUAL DRAWING

COMMSCOPE, INC. OF NORTH CAROLINA

TITLE

MC-KM-UK SERIES

SIZE

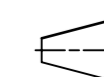
A2

SCALE

1:25

DOCUMENT NO.

MC-KM-UK SERIES



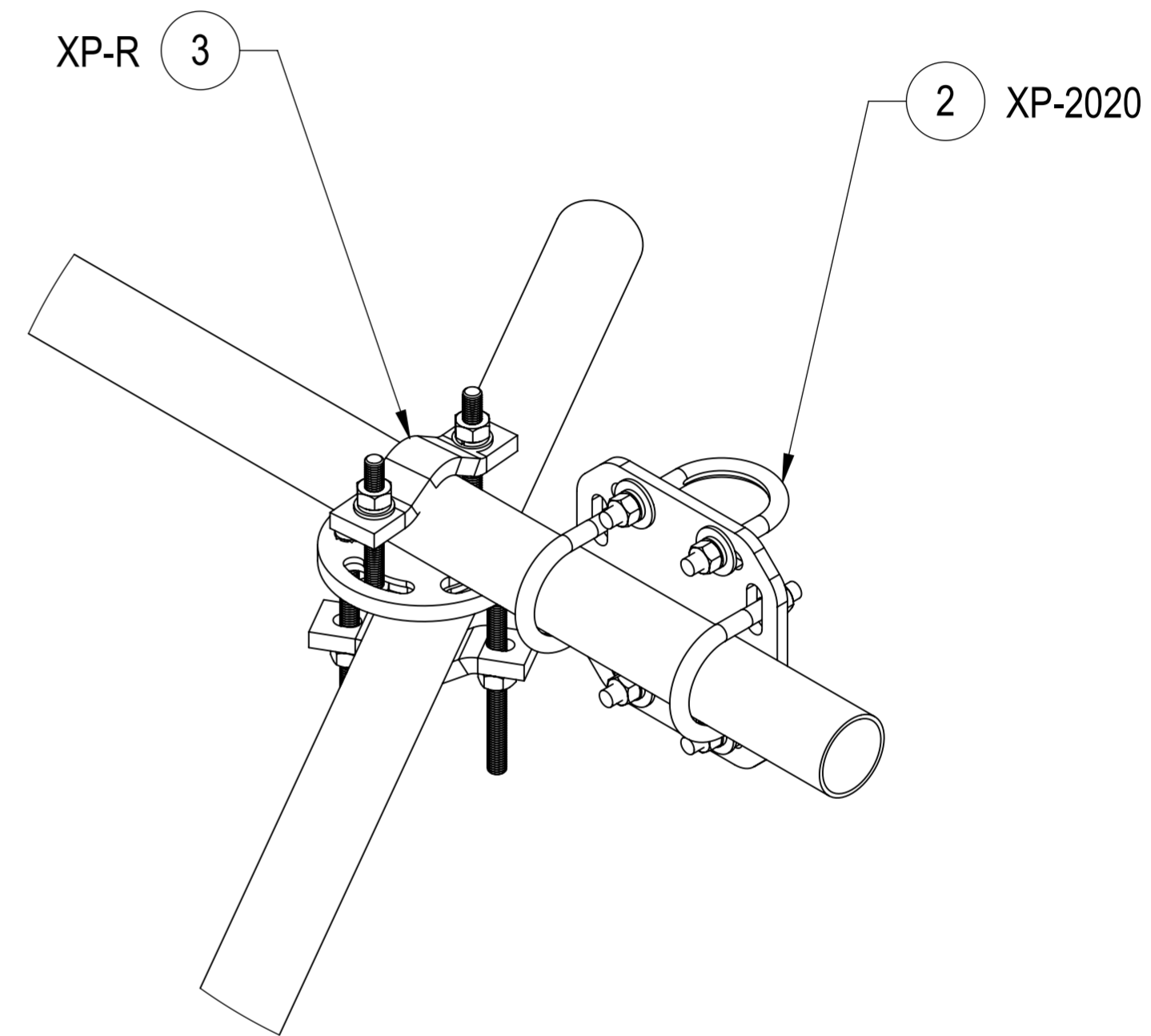
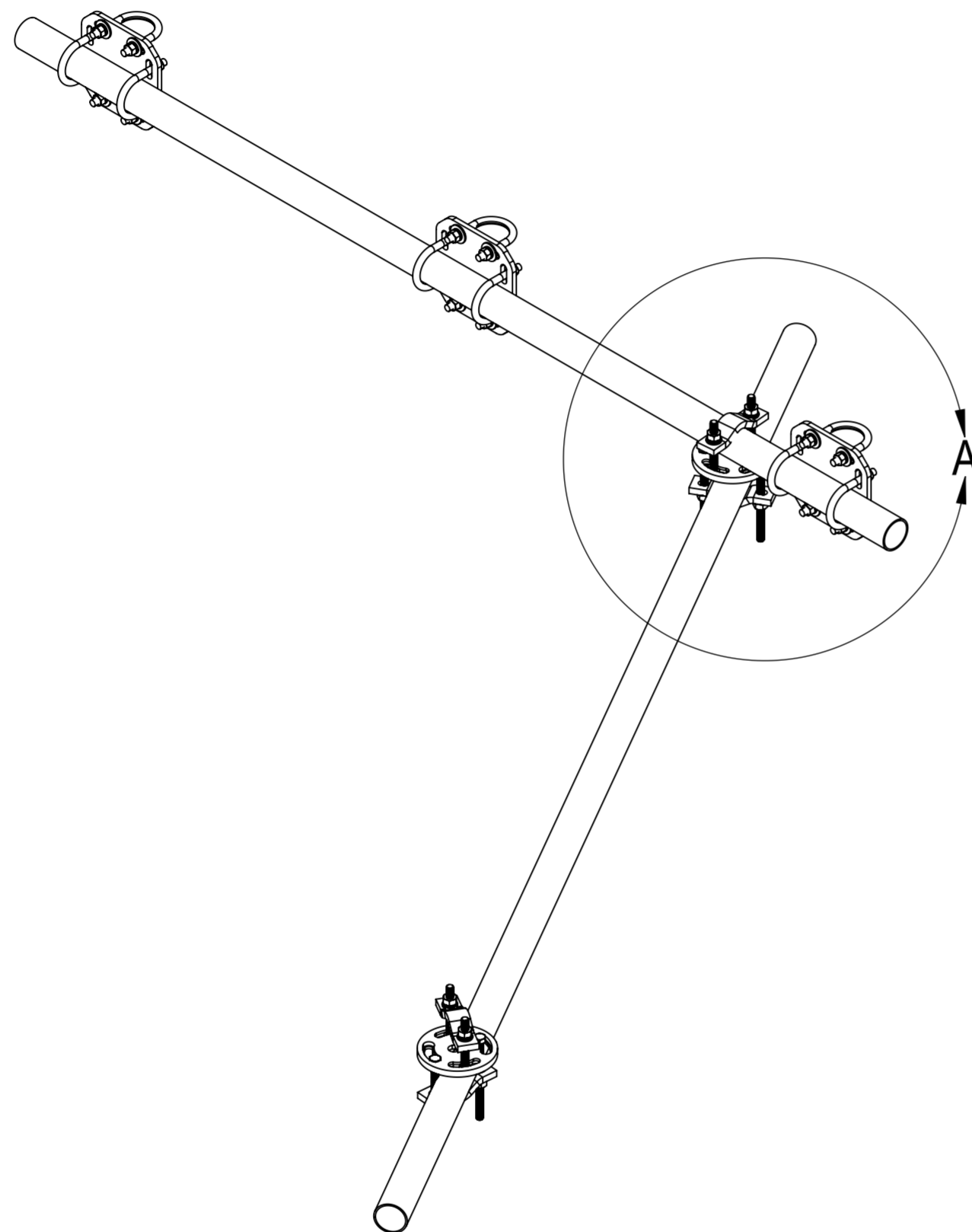
DRAWING

VERSION	STATUS	REVISION
00	RE	A

SHEET
2 OF 3

© 2023 CommScope, Inc. Confidential

STEP 1: ATTACH FACE PIPES TO ANTENNA PIPES USING CROSSOVER PLATES KITS (XP-2020) .
 ATTACH TIE BACK PIPES TO FACE PIPES USING ROUND CROSSOVER PLATES KITS (XP-R).



DETAIL A
 SCALE 1 : 4

COMMSCOPE, INC. OF NORTH CAROLINA				
TITLE MC-KM-UK SERIES				
SIZE A2	SCALE 1:25	DOCUMENT NO. MC-KM-UK SERIES		
DRAWING				SHEET
VERSION 00	STATUS RE	REVISION A	3 OF 3	