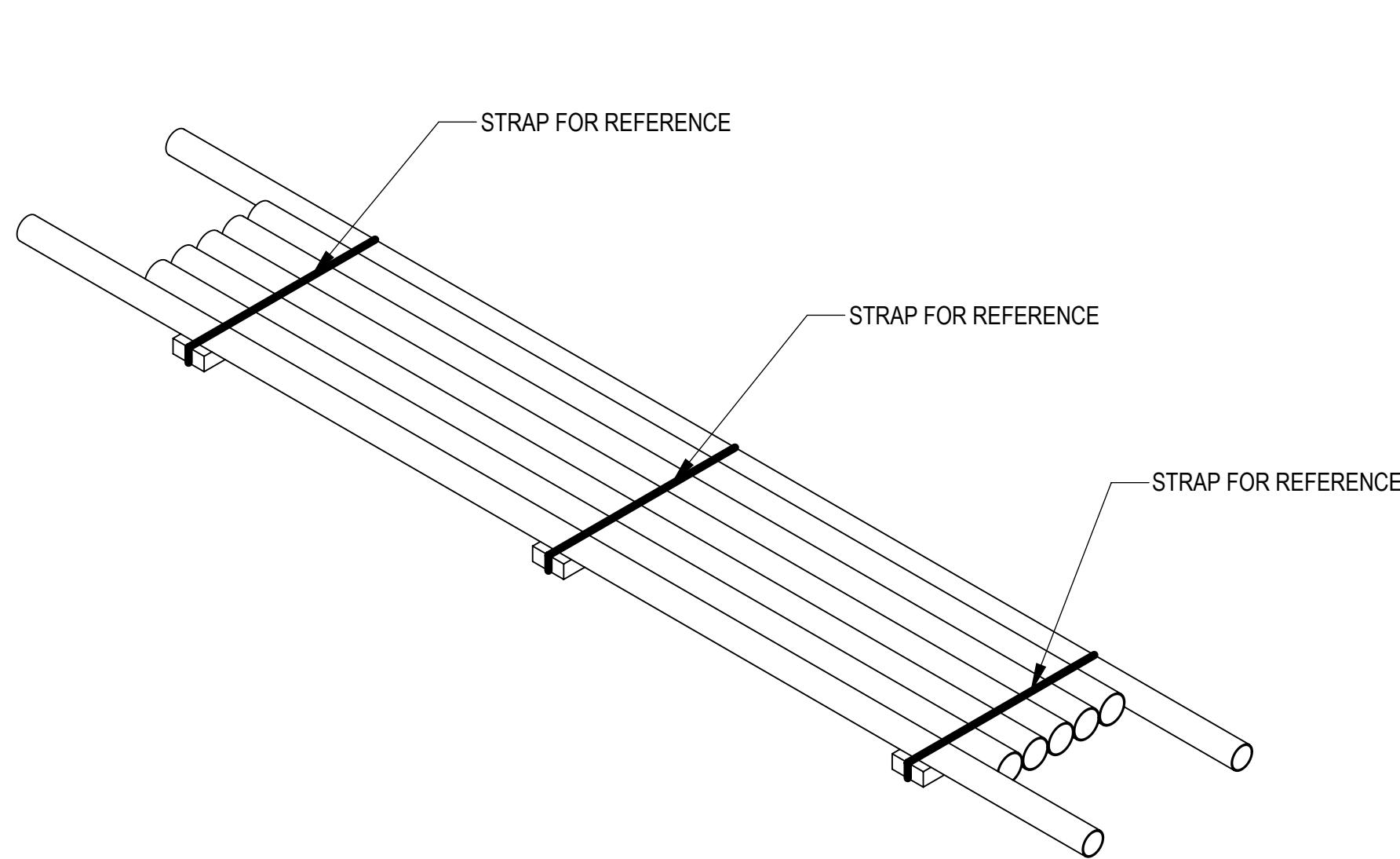
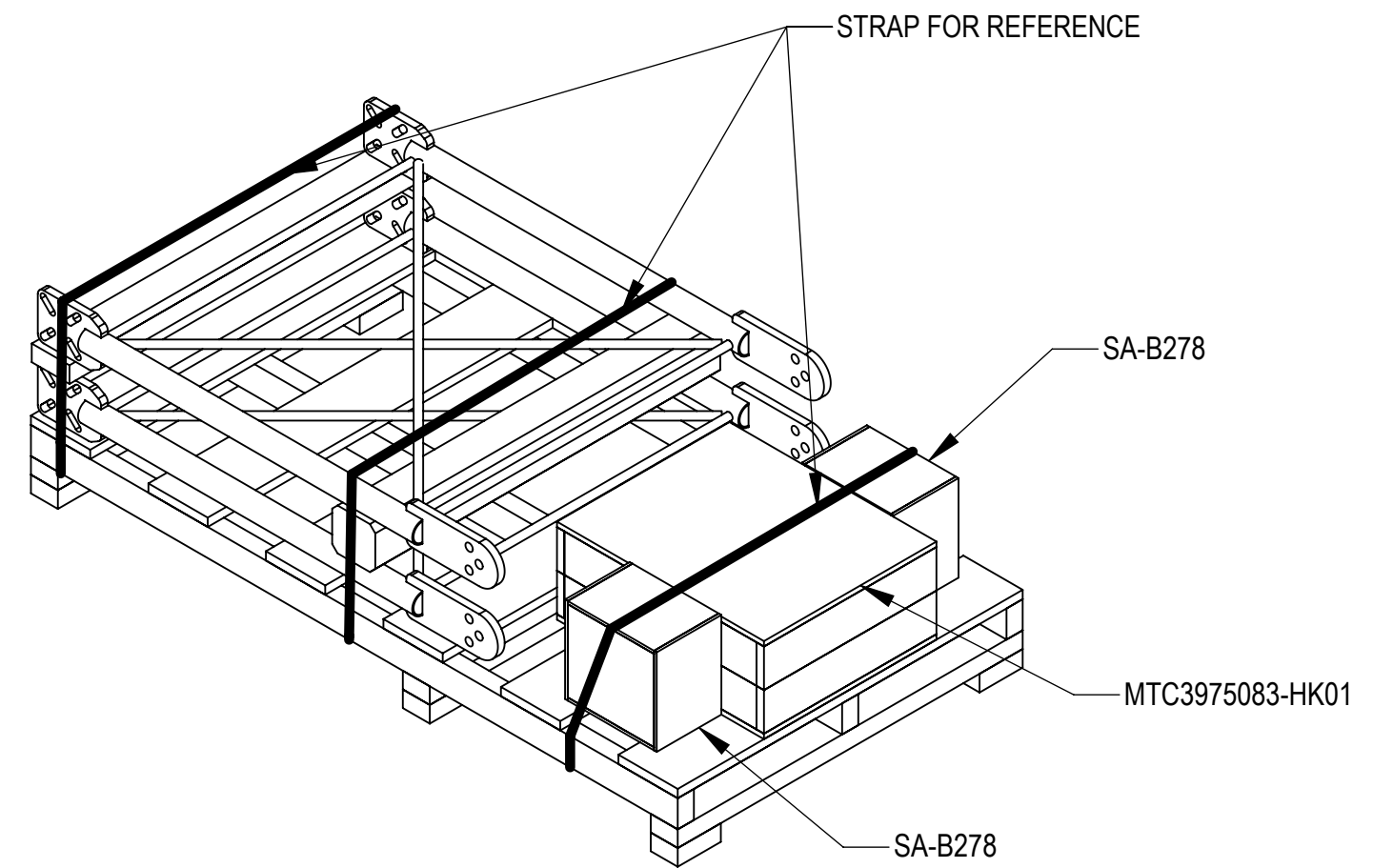


- 1.0 GENERAL
 - 1.1 ALL METRIC DIMENSIONS ARE IN BRACKETS
 - 1.2 FOR PATENT INFO :<https://www.cs-pat.com>
- 2.0 DESIGN NOTES
- 3.0 MANUFACTURING/SPECIAL REQUIREMENTS
 - 3.1 TIGHTEN ALL BOLTS SECURING FLAT PLATES BY THE TURN-OF-NUT METHOD. TIGHTEN ALL U-BOLTS USING TURN-OF-NUT METHOD WITH ATTENTION TO LEAVE EQUAL DISTANCE AND EQUAL FORCE ON EACH LEG OF THE U-BOLT.
- 4.0 TEST
- 5.0 PACKAGING
 - 5.1 PACKAGING SHALL MEET COMMSCOPE REQUIREMENTS PER DOCUMENT IS-PL-3005
 - 5.2 PRINTED DOCUMENT TO BE PLACED INSIDE POLYBAG AND THEN IN SHIPPING CONTAINER
 - 5.3 EXTRA HARDWARE MAY BE SUPPLIED, BAGGED AND SHIPPED.

REVISIONS			
REV.	DESCRIPTION	DATE	APPROVED
A	NEW RELEASED.	RJC 02MAR21	BCROSS 10191PC
B	UPDATED PALLET 60X32 WAS 48X32 AND WOOD CRATE CR171407 WAS CR2080A	MS1288 27AUG21	BCROSS 14462PC
C	DELETED NOTE 2.1; UPDATED NOTE 3.1; UPDATED MODEL; ADDED NOTES FOR TOWER LEG IN SHEET 3	YX1027 10FEB22	BCROSS 40143064CMO
D	UPDATED DRAWING TO MATCH LATEST NOTE	JYANG4 27JUL22	BCROSS 40153133CMO



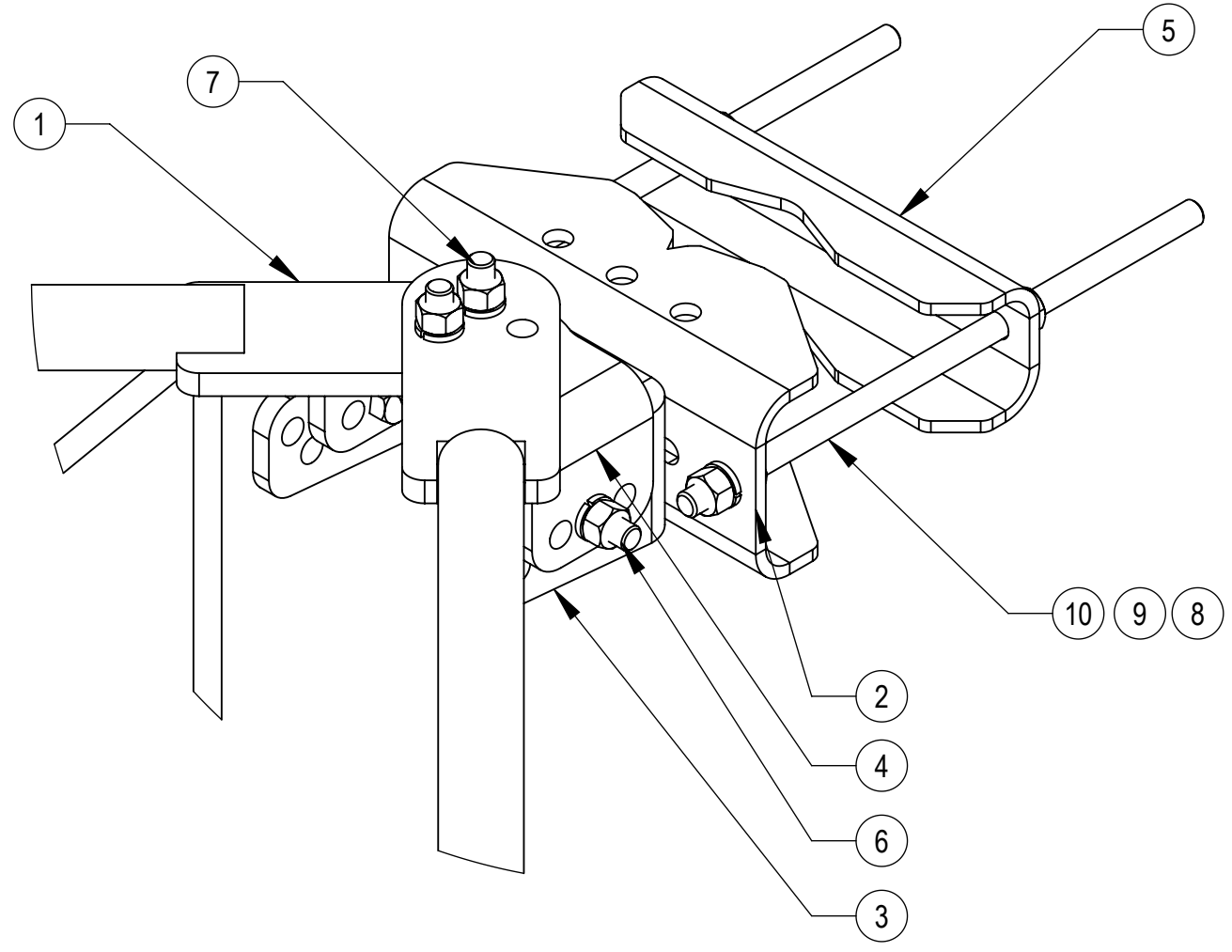
PB02TEA0308B0208K



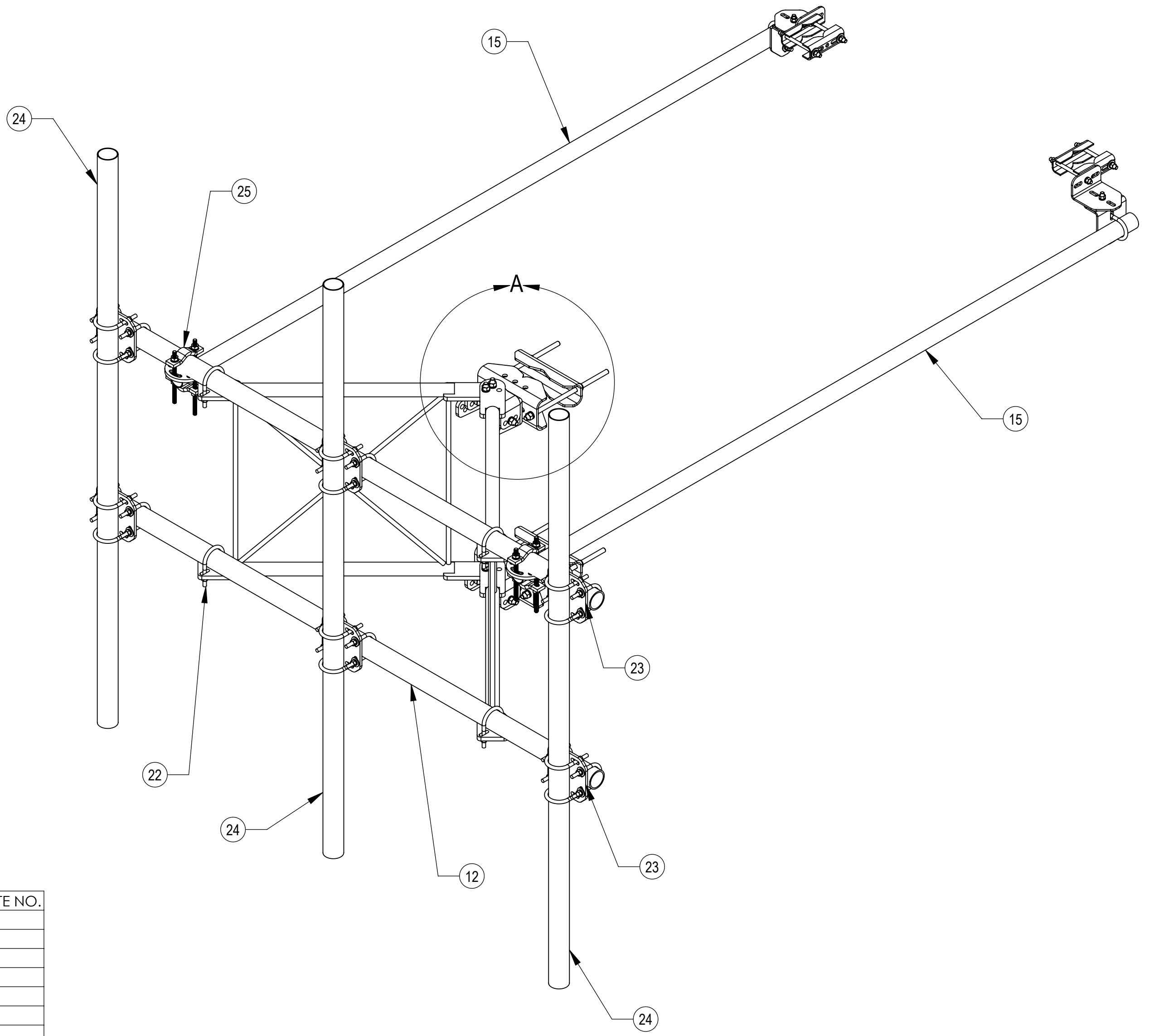
MTC3975HD083-PK01

COMMSCOPE, INC. OF NORTH CAROLINA												
TOLERANCES						SAP MATERIAL MASTER						
0 PLACE X ± .25			2 PLACE .XX ± 0.06			MTC3975HD083						
1 PLACE .X ± 0.12			ANGLES ± 2°									
FINISH						MATERIAL						
UNLESS OTHERWISE SPECIFIED DIMENSIONS ARE IN INCHES INTERPRET PER ANSI Y 14.5M-1994	NAME	DATE	TITLE									
	CE XZ1054	03/02/2021	SECTOR FR, HD, TW, SFG21, 8FT, 3 ANT PIPE									
	RW YMENG	09/19/2022										
	AD JYANG4	09/19/2022										
	RE YMENG	09/23/2022										
ECN 10191PC			SCALE	DOCUMENT NO.								
			1:12	MTC3975HD083								
SIZE		Auth Group	INSL	MODEL			DRAWING			SHEET		
C		⊕	◁	VERSION	STATUS	REVISION	VERSION	STATUS	REVISION	1 OF 2		
				02	RE	C	00	RE	D			

DENSITY		lbs/in ³
MASS	266.609	lbs
VOLUME	4140.039	in ³
SURFACE AREA	15968.457	in ²
HEIGHT	96"	
LENGTH	118"	
WIDTH	96"	



DETAIL A
SCALE 1 : 4



COMPONENT PART NUMBERS PROVIDED FOR ASSEMBLY PURPOSES;
INDIVIDUAL COMPONENTS MAY BE SHIPPED AS PARTS WITHIN AN INCLUDED KIT.

ITEM NO.	PART NUMBER	DESCRIPTION	QTY.	NOTE NO.
1	SFV01	WELDMENT, SF-V STANDOFF ARM	2	
2	MTC397522	CLAMP, FRONT MOUNTING	2	
3	SFV03	SFV TAPER BRACKET	1	
4	SFV02	SFV AZIMUTH BRACKET	3	
5	MTC397521	CLAMP, BACK	2	
6	GB-05225	5/8" X 2-1/4" GALV BOLT KIT	8	
7	GB-05305	5/8" X 3" GALV BOLT KIT	4	
8	GWL-05	5/8" GALV LOCK WASHER	8	
9	GN-05	5/8" GALV HEX NUT	12	
10	MT-382-16	5/8" X 16" GALV THREADED ROD	4	
11	GWF-05	5/8" GALV FLAT WASHER, 1.7OD	6	
12	MT54696	PIPE, 2.875"OD X 96"	2	
13	GUB-4240	1/2" X 2-1/2" X 4" GALV U-BOLT	2	
14	XAU01	ANGLE, CROSSOVER, 1.9-3.5" X 1.9-3.5" OD	4	
15	MT-651-120	PIPE, 2.375"OD X 120"	2	
16	SAB01	FORMED CLAMP	4	
17	MT-379-8	1/2" X 8" GALV THREADED ROD	4	
18	GB-04145	1/2" X 1-1/2" GALV BOLT KIT	2	
19	GWF-04	1/2" GALV FLAT WASHER	8	
20	GWL-04	1/2" GALV LOCK WASHER	10	
21	GN-04	1/2" GALV HEX NUT	10	
22	GUB-4352	1/2" X 3" X 5-1/4" GALV U-BOLT	28	
23	XPU01	PLATE, CROSSOVER, 1.9-3.5" X 1.9-3.5" OD	6	
24	MT54696120	Ø 2.88" X 96" WALL GALV PIPE	3	
25	XP-R	CROSSOVER PLATE, ROUND, UP TO 3.5" OD	2	

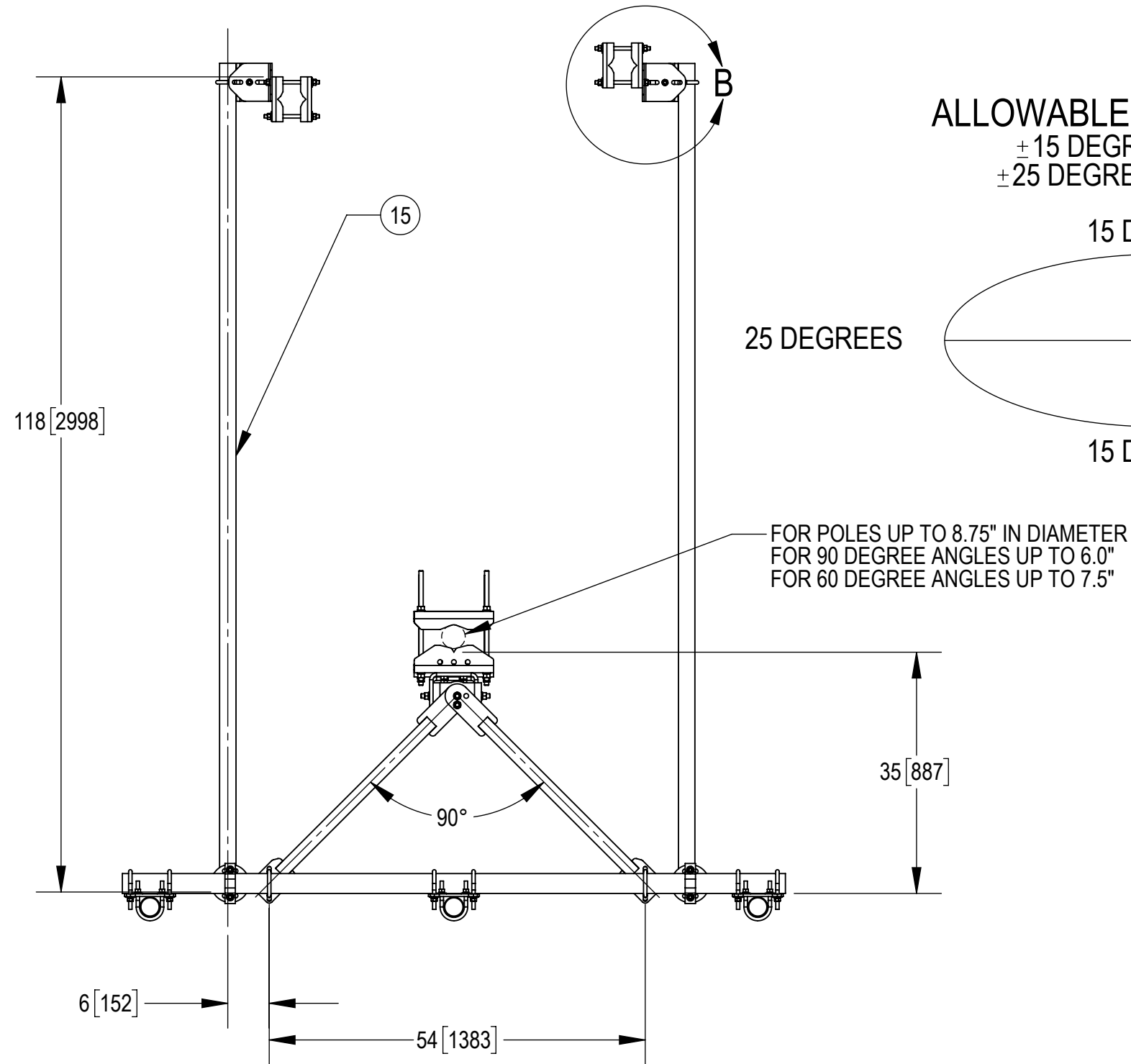
COMMSCOPE, INC. OF NORTH CAROLINA				
TITLE SECTOR FRAME,HD,TW,SFG21,8FT,3 ANT PIPE				
SIZE C	SCALE 1:12	DOCUMENT NO. MTC3975HD083		
DRAWING		VERSION	STATUS	REVISION
		03	RE	D
				SHEET 2 OF 7

4

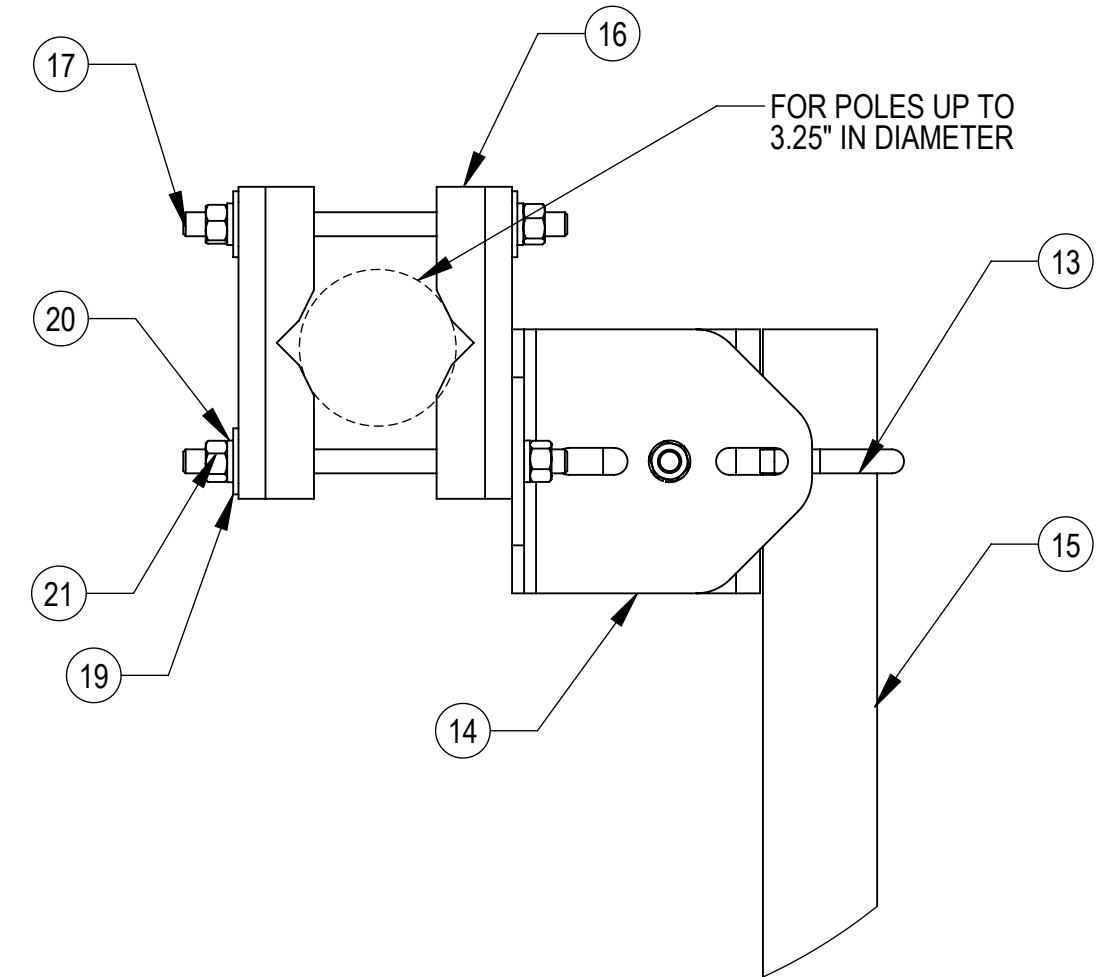
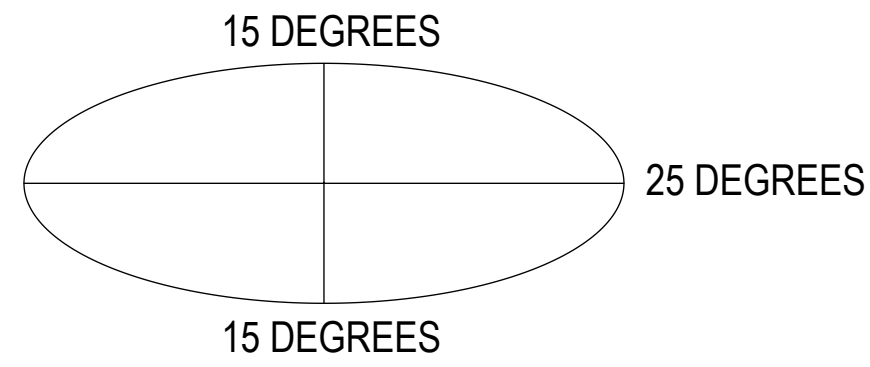
3

2

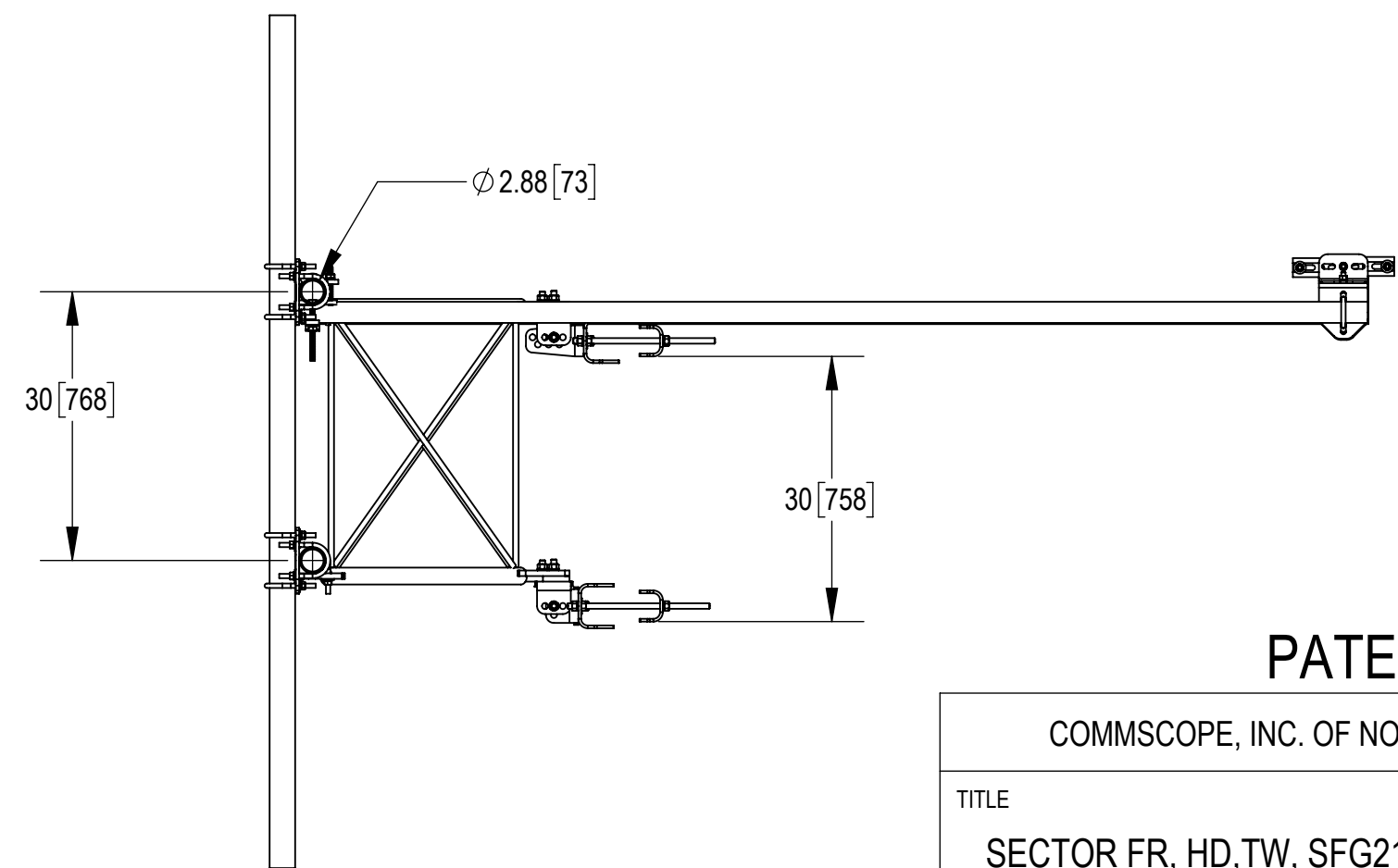
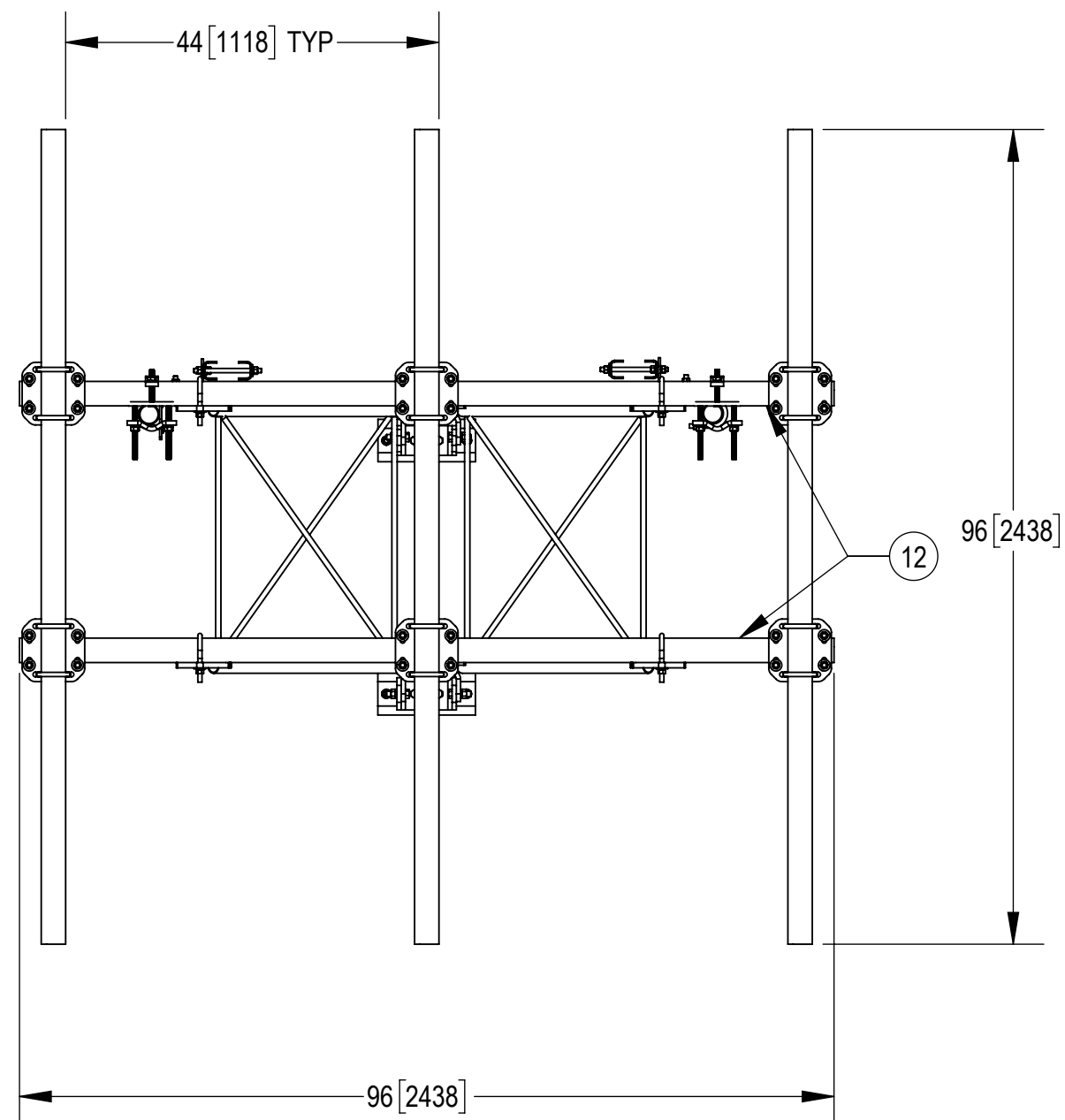
1



ALLOWABLE TIEBACK ANGLE
± 15 DEGREES VERTICAL
± 25 DEGREES HORIZONTAL



DETAIL B
SCALE 1 : 4



PATENT PENDING

COMMSCOPE, INC. OF NORTH CAROLINA

TITLE
SECTOR FR, HD, TW, SFG21, 8FT, 3 ANT PIPE

SIZE C	SCALE 1:20	DOCUMENT NO. MTC3975HD083
------------------	----------------------	-------------------------------------

DRAWING	VERSION	STATUS	REVISION	SHEET 3 OF 7
	03	RE	D	

© 2022 CommScope, Inc. Confidential

4

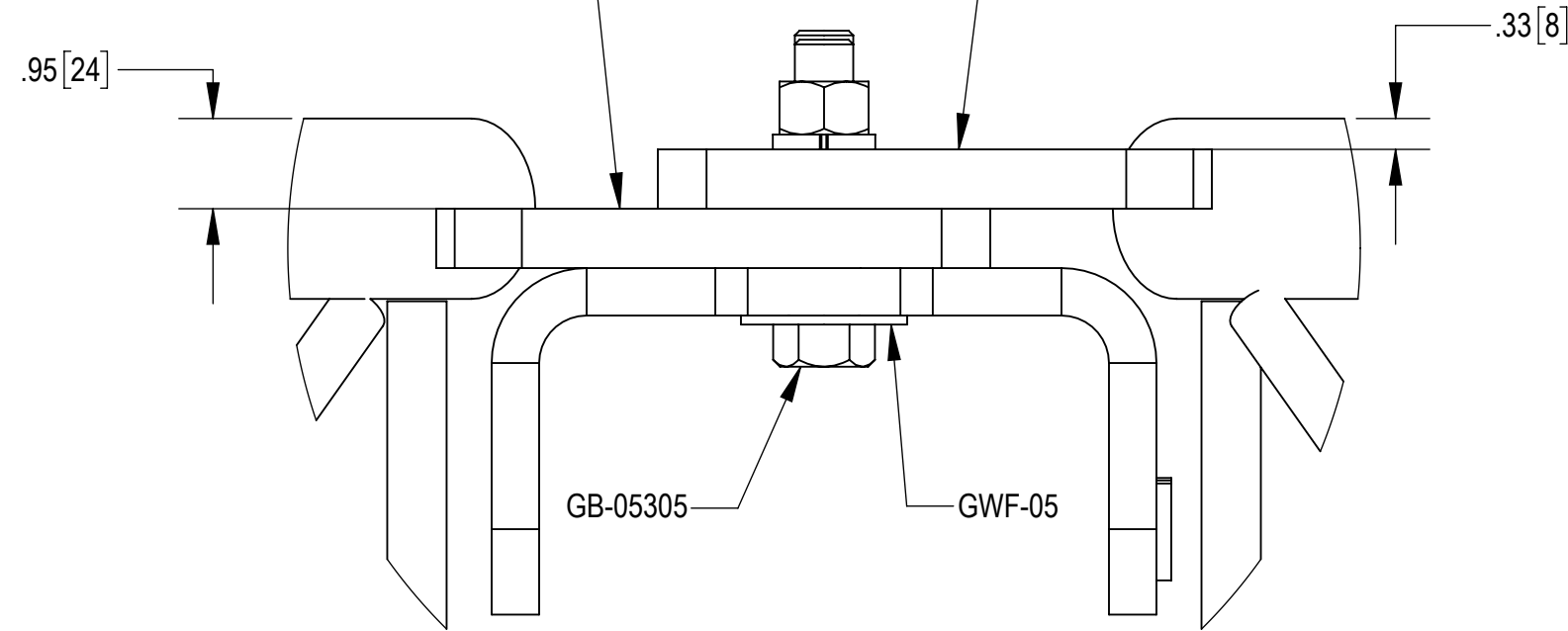
3

2

1

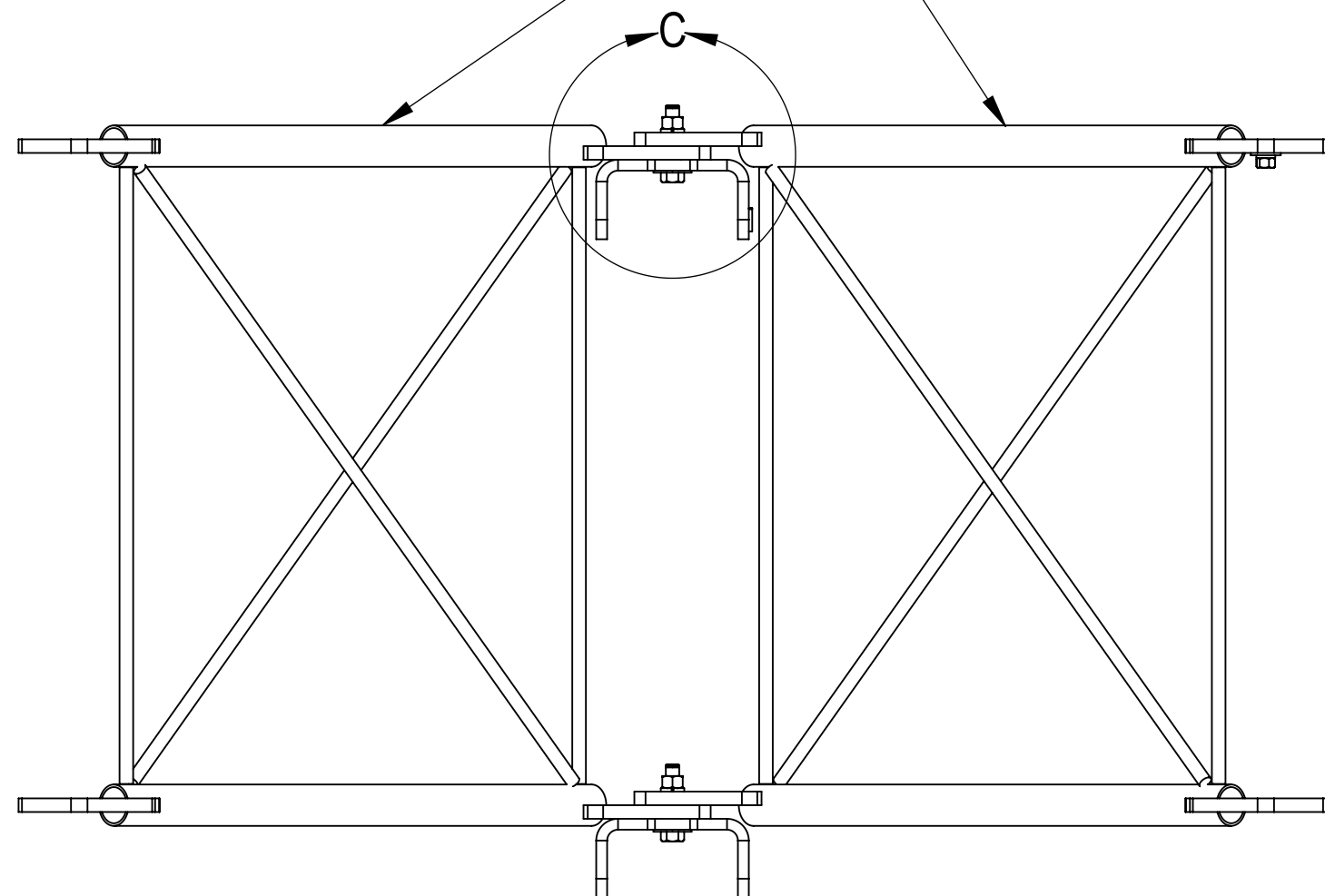
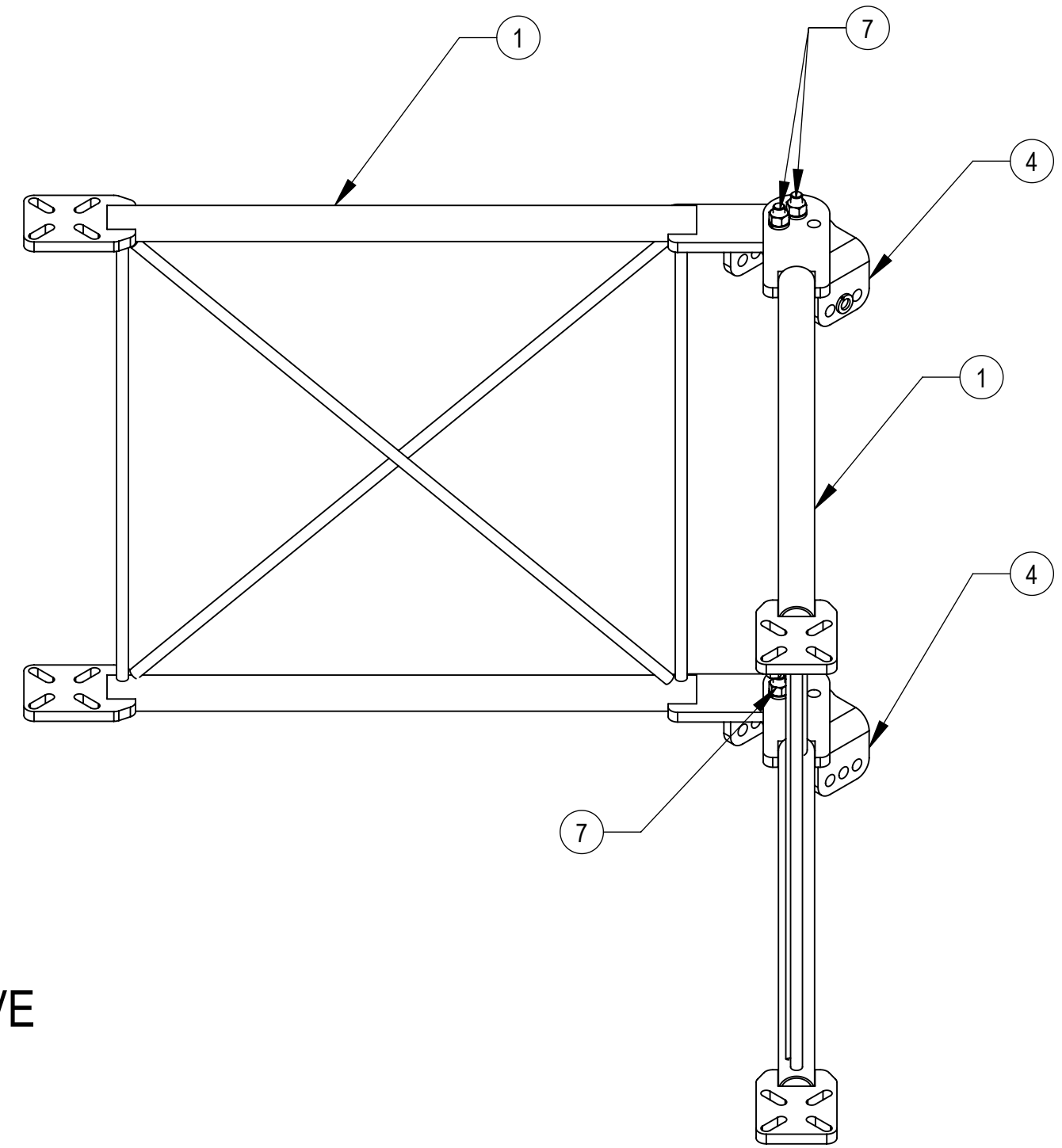
STEP1: ATTACH STANDOFF ARMS (SFV01) TO AZIMUTH BRACKETS (SFV02) USING BOLT KITS (GB-05305) AND FLAT WASHERS (GWF-05)

LOWER ARM "UPSIDE DOWN" UPPER ARM "RIGHT SIDE UP"



DETAIL C
SCALE 1 : 2

STANDOFF ARM ORIENTATION IS CRITICAL!
WHEN ASSEMBLED, ARMS SHOULD BE LEVEL
WITH EACH OTHER. ALSO SEE DETAIL C ABOVE



PATENT PENDING

COMMSCOPE, INC. OF NORTH CAROLINA

TITLE
SECTOR FR, HD,TW, SFG21, 8FT, 3 ANT PIPE

SIZE C	SCALE 1:8	DOCUMENT NO. MTC3975HD083
------------------	---------------------	-------------------------------------

	DRAWING			SHEET 4 OF 7
	VERSION 03	STATUS RE	REVISION D	

4

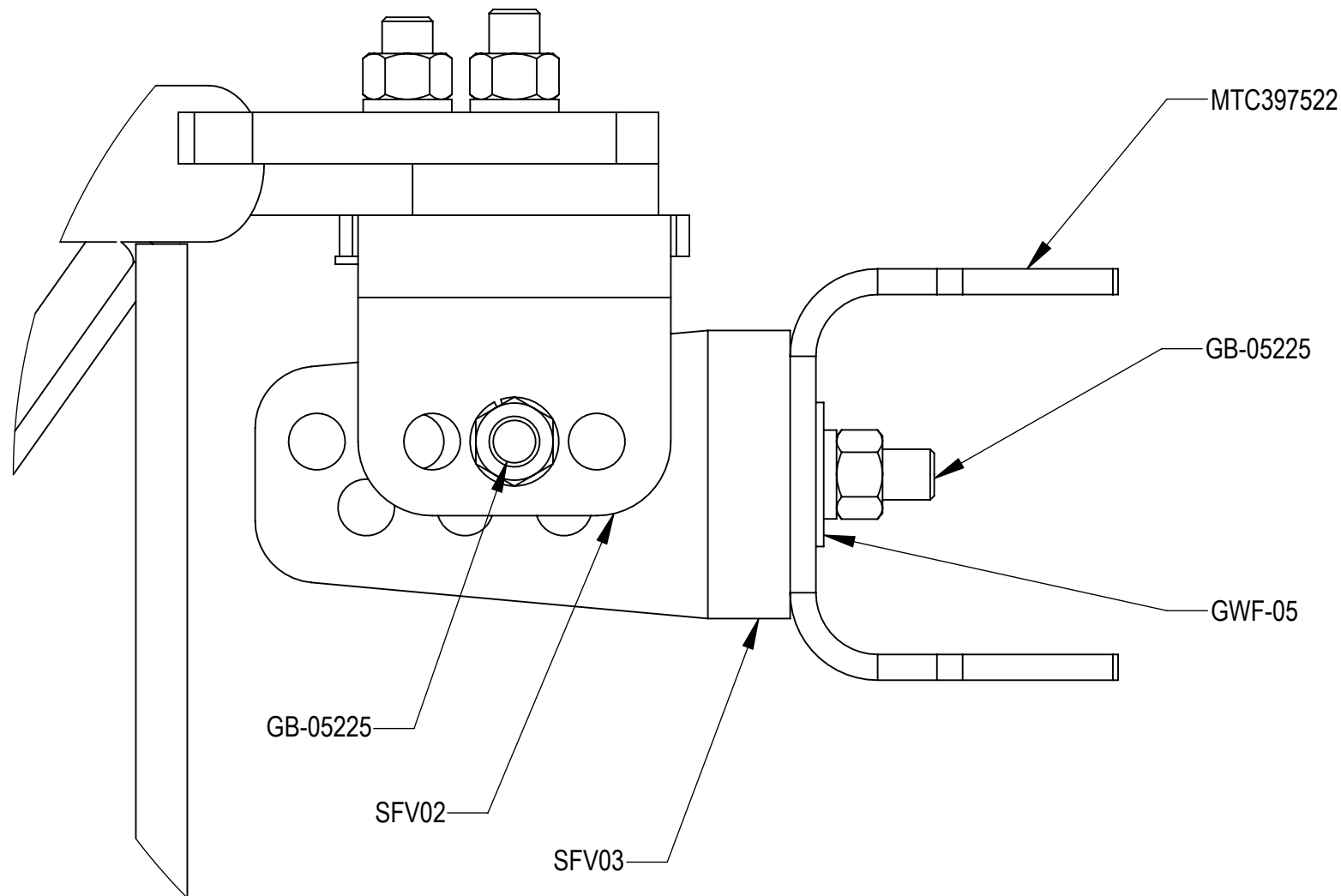
3

2

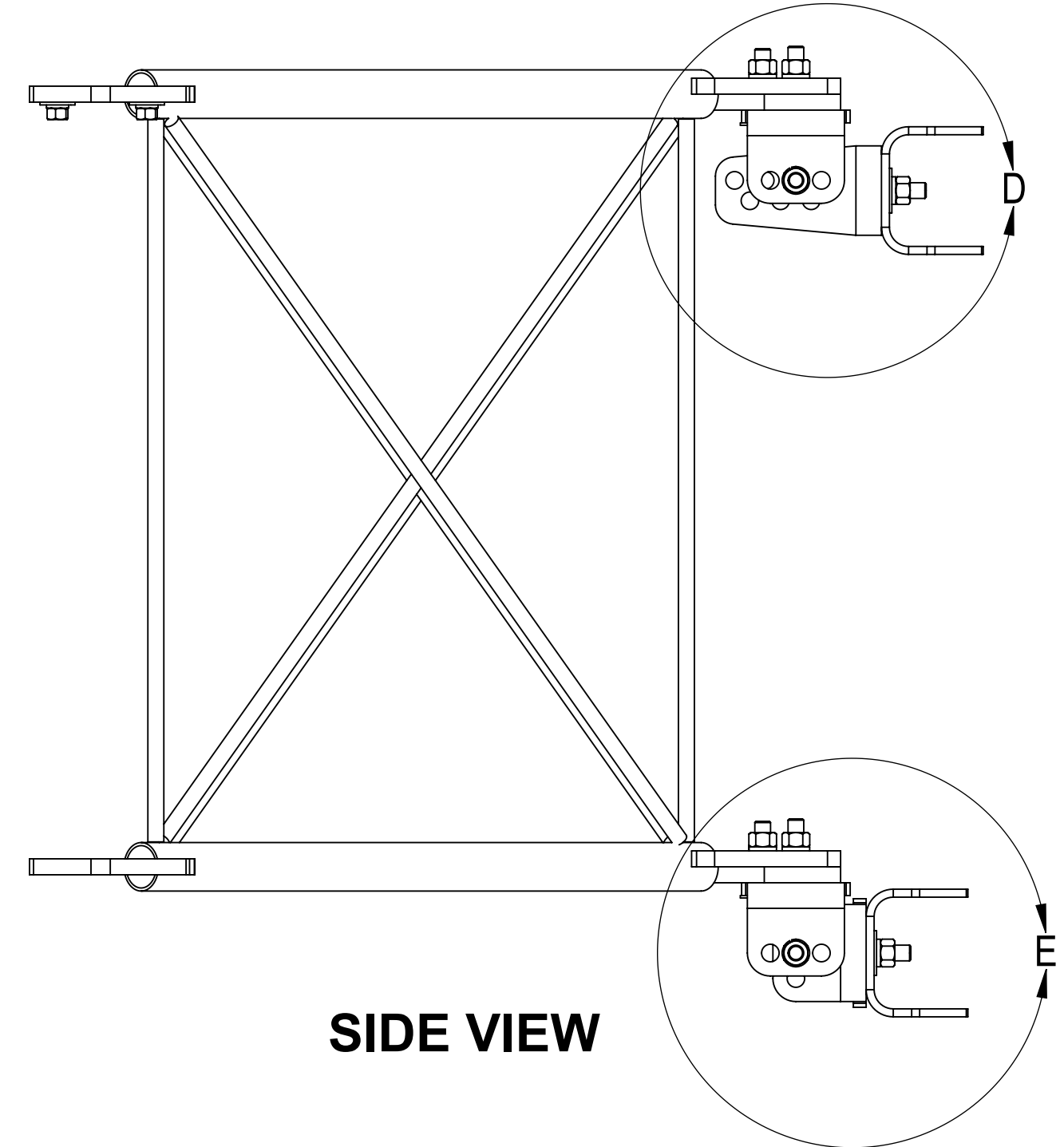
1

STEP 2A: ON TOP, ATTACH TAPER BRACKET (SFV03) TO AZIMUTH BRACKET (SFV02) USING BOLT KITS (GB-05225).
 SEE ISO ROTATED VIEW. ATTACH TAPER BRACKET (SFV03) TO CLAMP, FRONT MTG (MTC397522) USING
 BOLT KITS (GB-05225), U-BOLTS (GUB-4240) AND FLAT WASHERS (GWF-05).

STEP 2B: ON BOTTOM, ATTACH AZIMUTH BRACKET (SFV02) TO AZIMUTH BRACKET (SFV02) USING BOLT KITS (GB-05225).
 ATTACH AZIMUTH BRACKET (SFV02) TO CLAMP, FRONT MTG (MTC397522) USING BOLT KITS(GB-05225), U-BOLTS (GUB-4240)
 AND FLAT WASHERS (GWF-05).

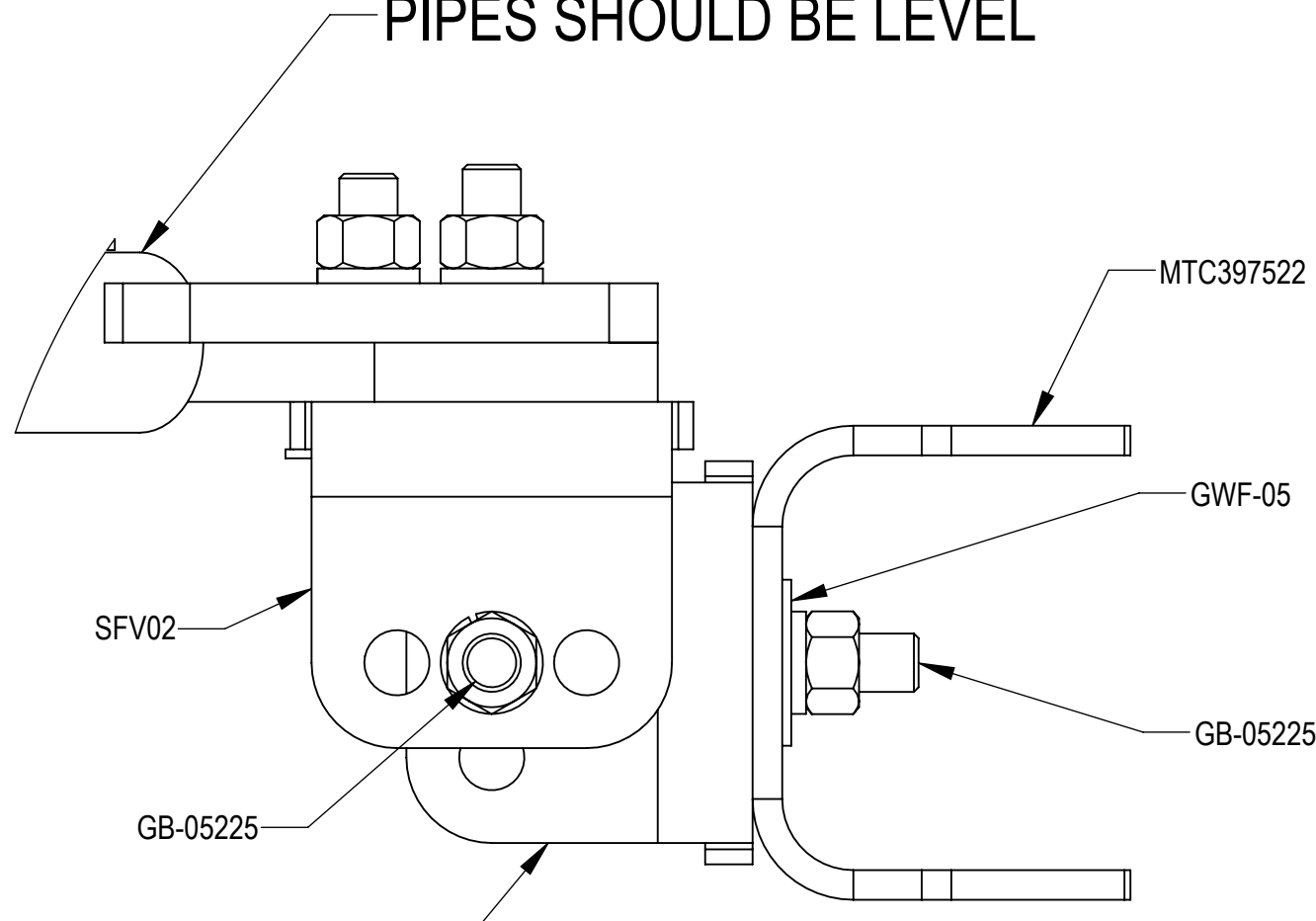


DETAIL D
 SCALE 1 : 2

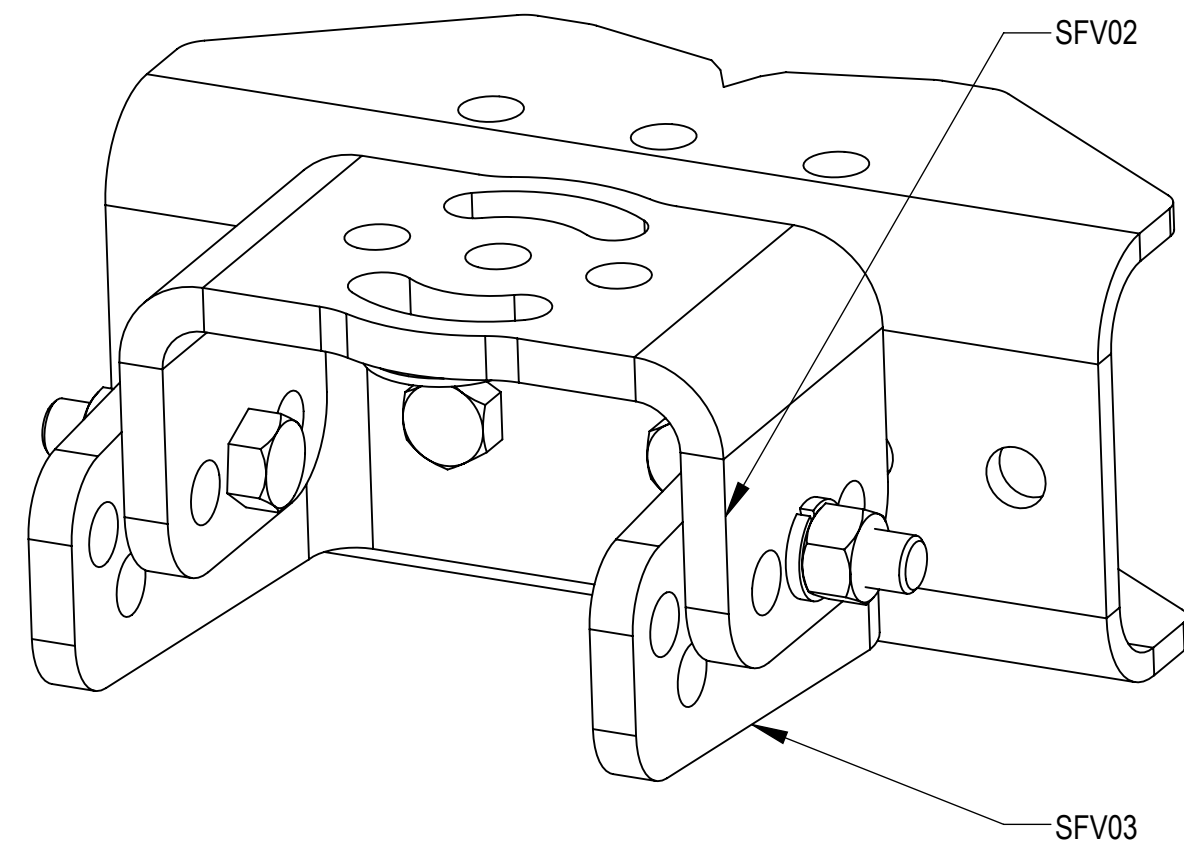


SIDE VIEW

STANDOFF ARM ORIENTATION
 IS CRITICAL! WHEN ASSEMBLED,
 PIPES SHOULD BE LEVEL



DETAIL E
 SCALE 1 : 2



ISO ROTATED VIEW

PATENT PENDING

COMMSCOPE, INC. OF NORTH CAROLINA				
TITLE SECTOR FR, HD,TW, SFG21, 8FT, 3 ANT PIPE				
SIZE C	SCALE 1:4	DOCUMENT NO. MTC3975HD083		
		DRAWING		SHEET
		VERSION	STATUS	REVISION
		03	RE	D
				5 OF 7

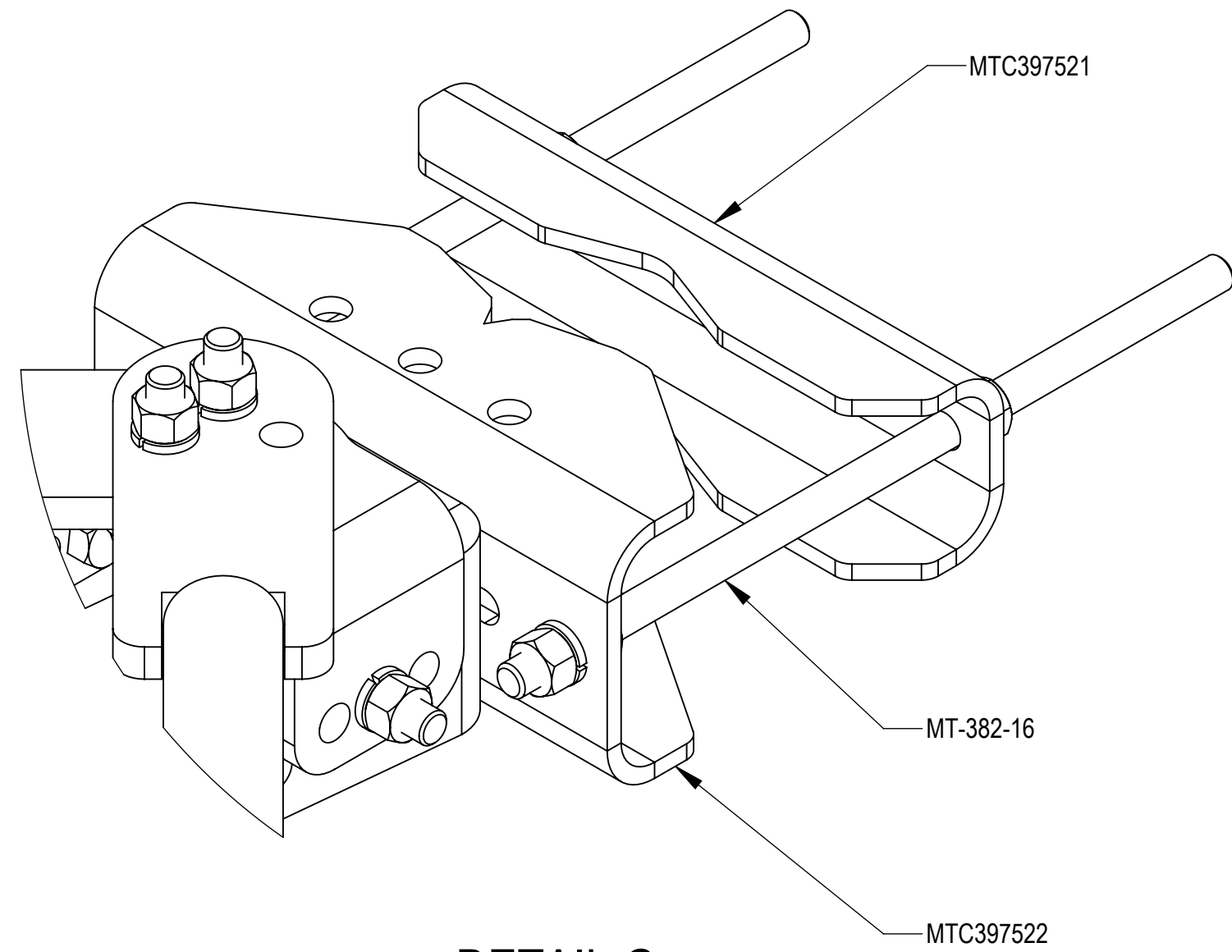
4

3

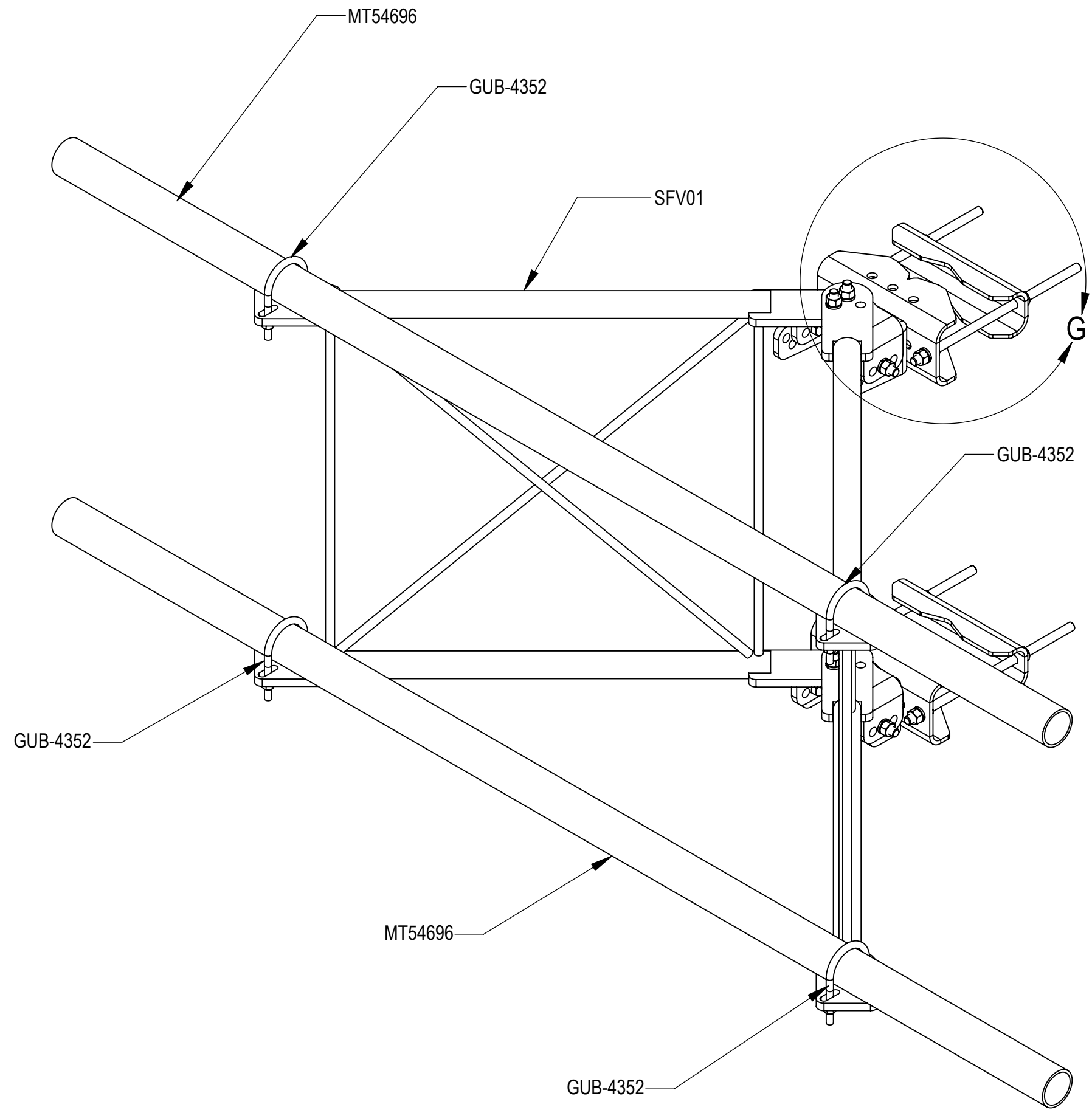
2

1

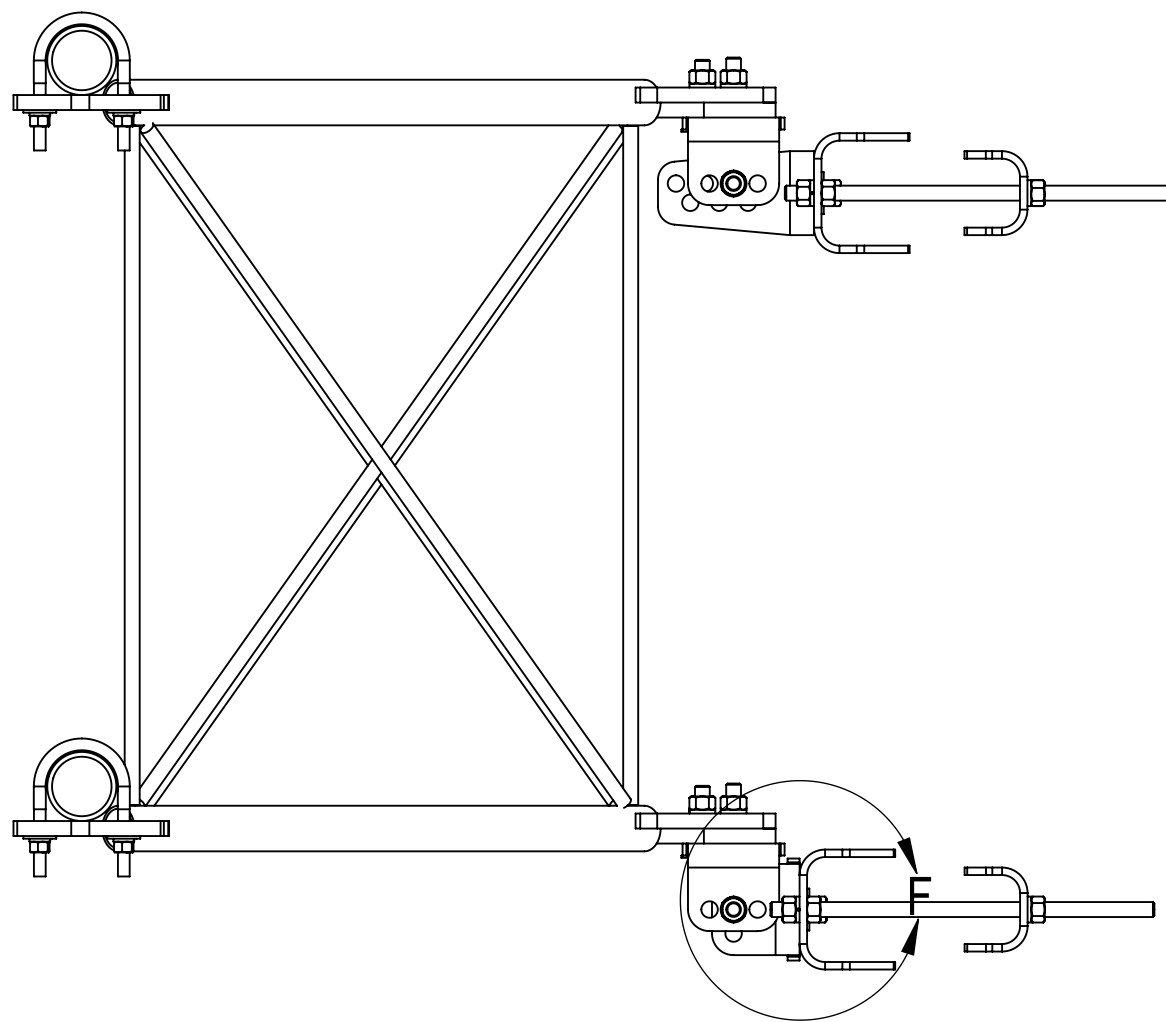
STEP 3: ATTACH FACE PIPES (MT54696) TO STANDOFF ARMS (SFV01) USING U-BOLTS (GUB-4240).



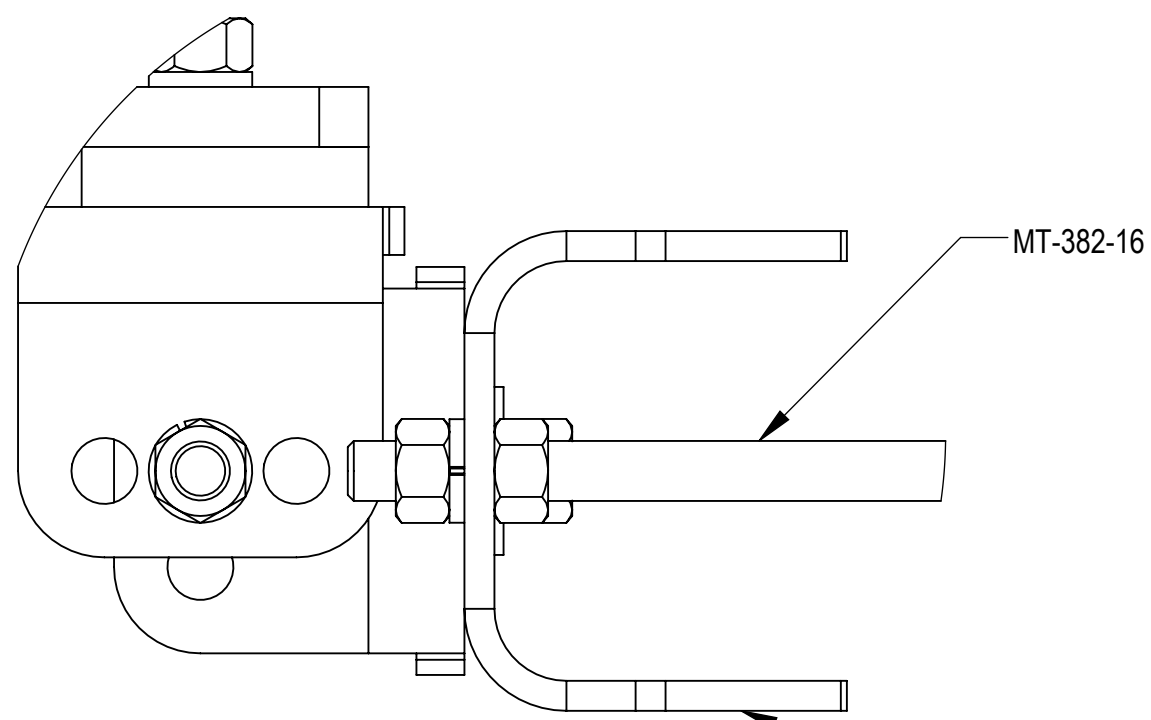
DETAIL G
SCALE 1 : 2.5



ISO VIEW



SIDE VIEW



DETAIL F
SCALE 1 : 2

PATENT PENDING

COMMScope, INC. OF NORTH CAROLINA

TITLE
SECTOR FR, HD,TW, SFG21, 8FT, 3 ANT PIPE

SIZE C	SCALE 1:8	DOCUMENT NO. MTC3975HD083
------------------	---------------------	-------------------------------------

	DRAWING			SHEET 6 OF 7
	VERSION 03	STATUS RE	REVISION D	

4

3

2

1

STEP 4: ATTACH ANTENNA PIPES(MT54696120) TO FACE PIPES(MT54696) USING CROSSOVER PLATES (XPU01) AND U-BOLTS (GUB-4352). ATTACH TIE BACK PIPES (MT-651-120) TO FACE PIPE (MT54696) USING ROUND CROSSOVER PLATE KITS(XP-R).

D

D

C

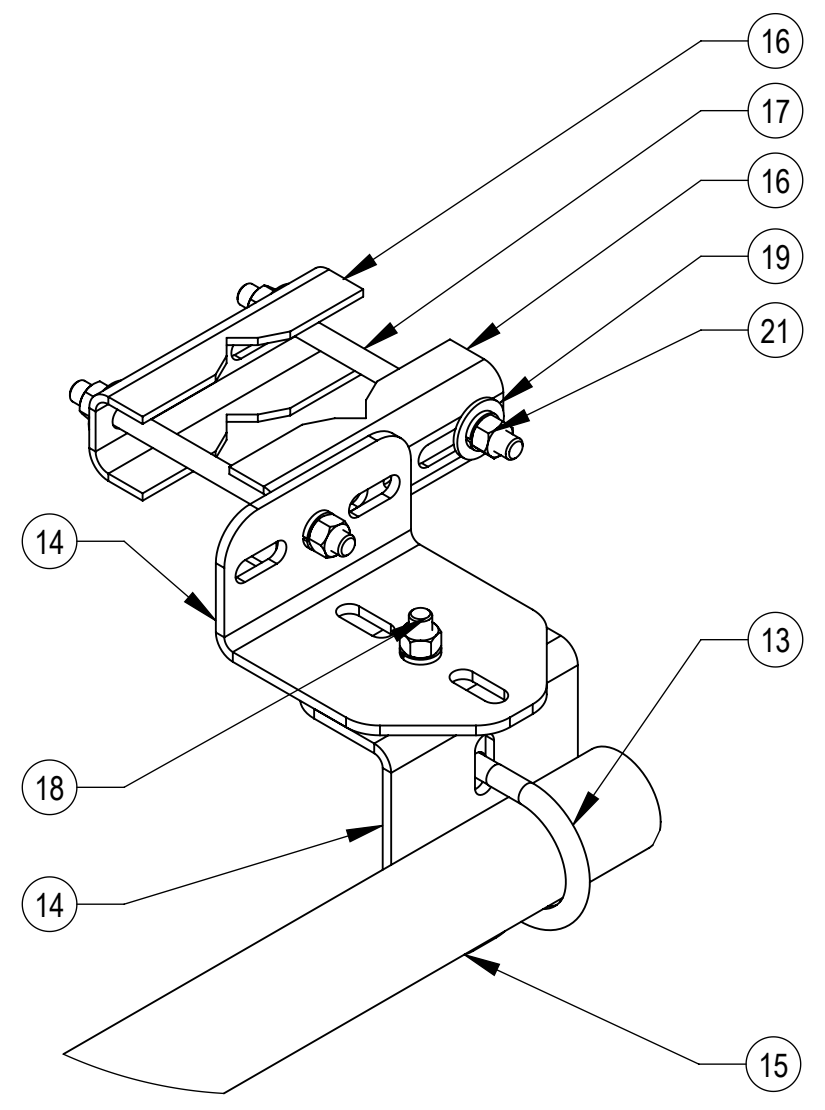
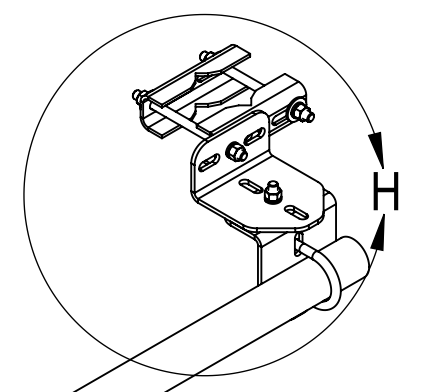
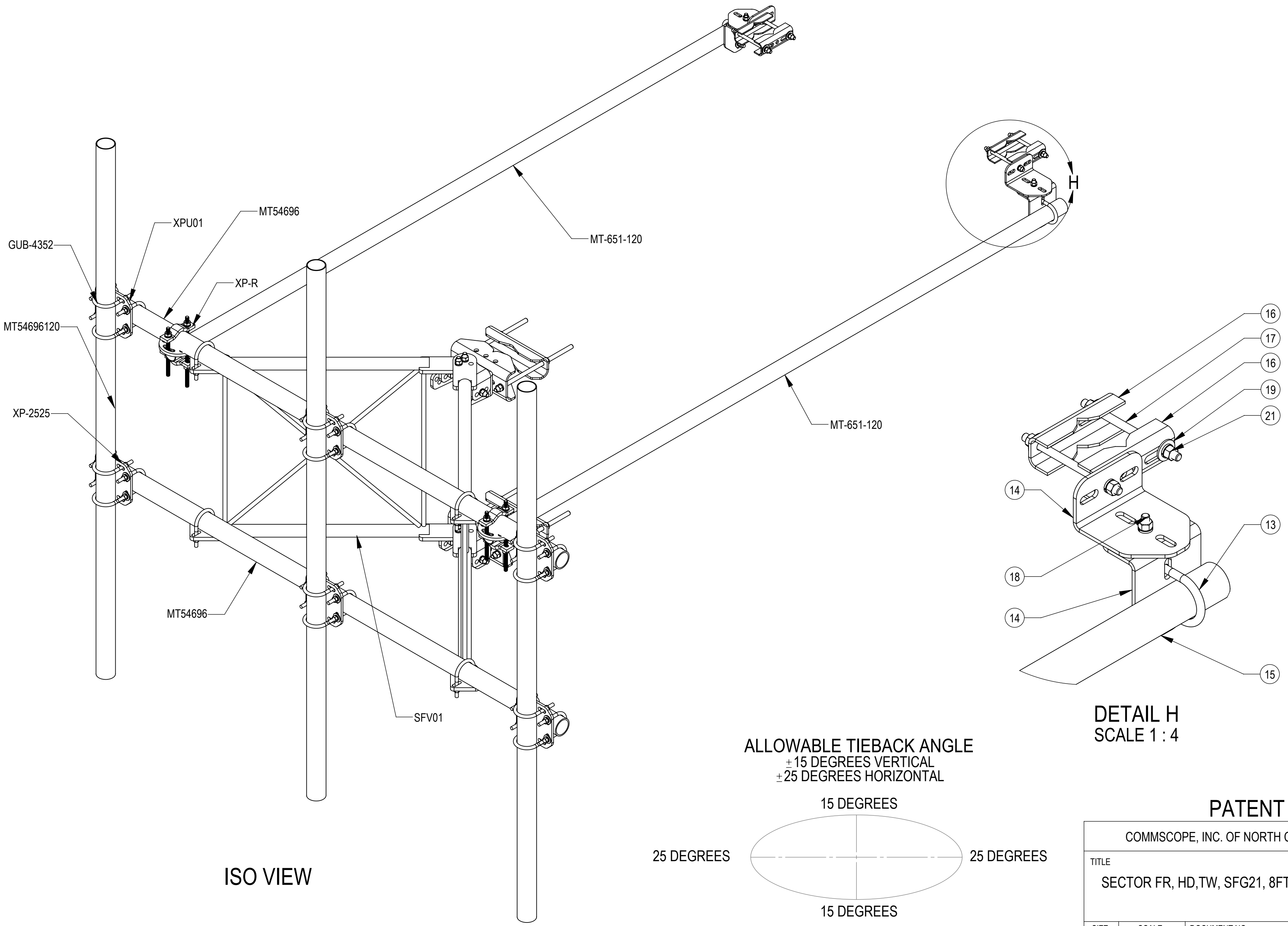
C

B

B

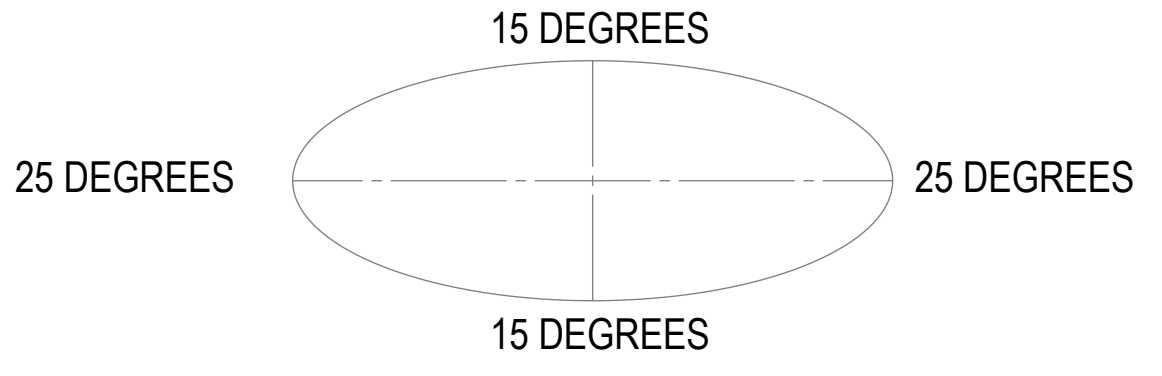
A

A



DETAIL H
SCALE 1 : 4

ALLOWABLE TIEBACK ANGLE
± 15 DEGREES VERTICAL
± 25 DEGREES HORIZONTAL



ISO VIEW

PATENT PENDING

COMMSCOPE, INC. OF NORTH CAROLINA					
TITLE SECTOR FR, HD,TW, SFG21, 8FT, 3 ANT PIPE					
SIZE C	SCALE 1:10	DOCUMENT NO. MTC3975HD083			
		DRAWING			SHEET 7 OF 7
		VERSION 03	STATUS RE	REVISION D	

4

3

2

1