

## NOVUX™ Fiber Optic System Single Circuit Module Application

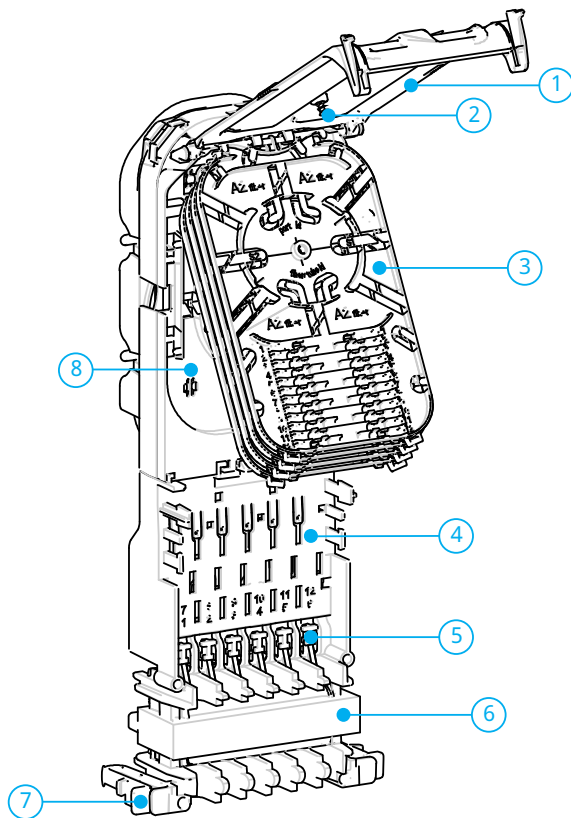
### About this manual

This manual describes the installation steps of the Single Circuit Module application of the Compact Closure 100 series. Installation steps in this document are limited to: drop cable installation, routing to and on the SCM trays and storage in the pocket zone. Installation steps of the feeder and branch cables are explained in manual TC-1425-IP: CC 100 Basic Instructions.

The document starts with providing an overview of the tools required to perform the installation. Also warnings and cautions are indicated, which should be observed before starting the product installation.

Images in this manual are for reference only and are subject to change.

### Overview organizer



N°	Description	N°	Description
1	Demarcation cover	5	Drop cable retention T-shapes
2	Locking screw	6	Octopus™ gel seal
3	4 single circuit module (SCM) trays	7	Locking features
4	Cable retention interface plate	8	Pocket zone

## General product information

	<b>Quantity</b>
Drop cable entry ports	6 drop ports (up to 12 drop cables)
Splice capacity	48 Smouv protectors (12 per tray) (Smouv protectors length is up to 45 mm (1.77 Inches))
Fiber type	The SCM trays are intended only for G657.A2 fiber.

# Contents

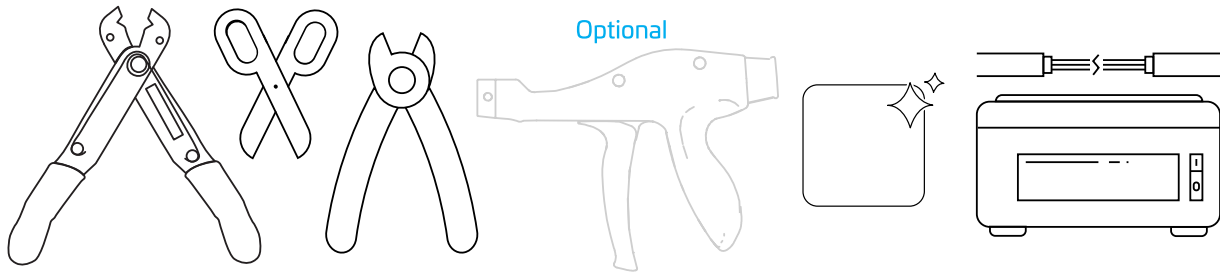
<b>1 Abbreviations.....</b>	<b>4</b>	<b>7 Splicing on the trays.....</b>	<b>8</b>
<b>2 Tools.....</b>	<b>4</b>	<b>8 The pocket zone.....</b>	<b>8</b>
<b>3 Warnings and Cautions.....</b>	<b>4</b>	8.1 Storing fibers in the pocket zone.....	9
<b>4 Open the demarcation cover.....</b>	<b>5</b>	8.2 Use the pocket zone to change side.....	9
<b>5 Route feeder fiber to SCM trays.....</b>	<b>5</b>	<b>9 Close the demarcation cover.....</b>	<b>10</b>
<b>6 Install drop cable.....</b>	<b>5</b>	<b>10 Restore fiber guidance pen.....</b>	<b>10</b>
6.1 Using T-shapes integrated in organizer.....	6	<b>11 Disclaimer.....</b>	<b>11</b>
6.2 Route drop fibers to SCM trays.....	7	<b>12 Contact information.....</b>	<b>11</b>

# 1 Abbreviations

CC: Compact Closure

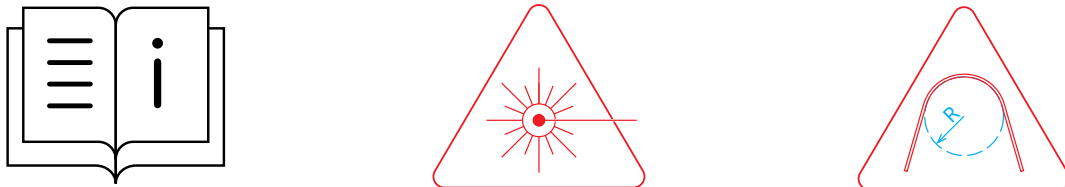
SCM: Single Circuit Module

# 2 Tools



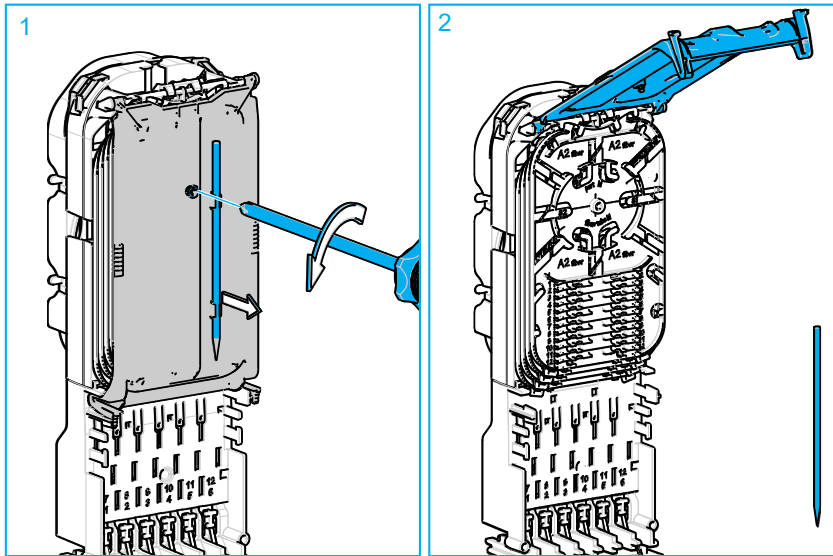
- Cable preparation tools
- Scissors (to cut aramid yarn if present)
- Small side cutter or Cable Tie Gun (to cut excess cable tie)
- Fiber splice equipment and fiber cleaning tools

# 3 Warnings and Cautions



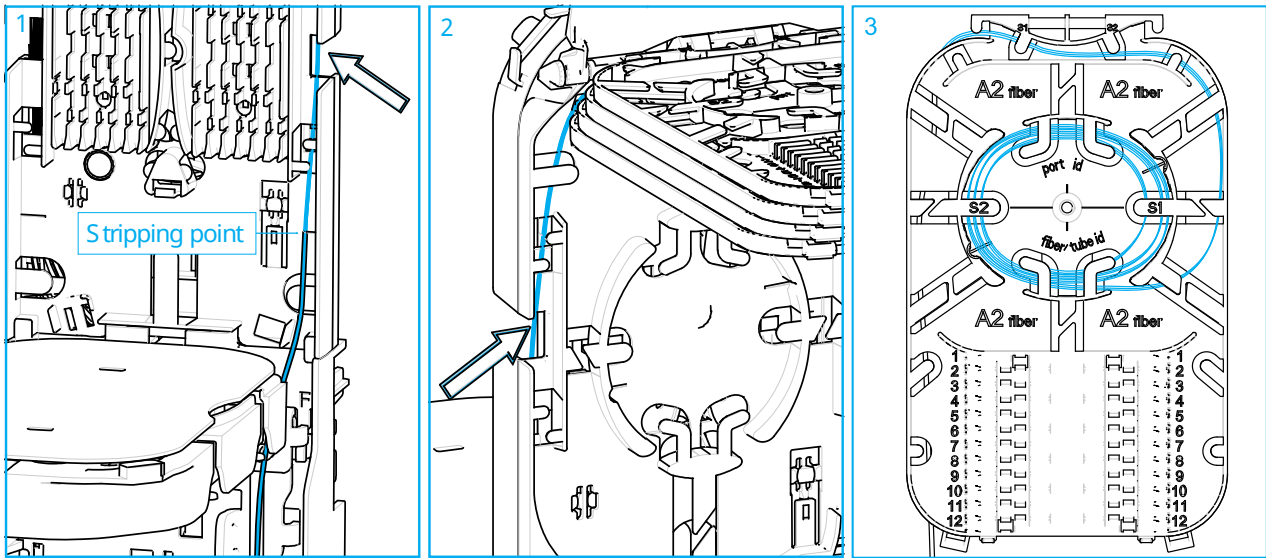
- Follow the installation instruction steps to ensure the performance of the closure. It is necessary to take precautions and keep the working space clean to protect the closure sealing materials and splices.
- Exposure to laser radiation can seriously damage the retina of the eye. Do not look into the ends of any optical fiber. Do not assume the laser power is turned off or that the fiber is disconnected at the other end. Looking into the ends of any optical fiber is entirely at your own risk. A protective cap or hood **MUST** be immediately placed over any radiating adapter or optical fiber connector to avoid the potential of dangerous amounts of radiation exposure. This practice also prevents dirt particles from entering the connector and adapter.
- Fiber optic cables may be damaged if bent or curved to a radius that is less than the recommended minimum bend radius. Always observe the recommended bend radius limit when installing fiber optic cables, subunits and patch cords.

## 4 Open the demarcation cover



- 1 Loosen the screw to unlock the demarcation cover.
- 2 Open the demarcation cover and put the fiber guidance pen aside.

## 5 Route feeder fiber to SCM trays



- 1 Mark the stripping point on the sheath at the level of the line in the tray. The line indicates the stripping point, however if the stripping point is located in the transition zone which is textured, this is acceptable. Strip the subunit to this mark and clean all fibers per standard practice.
- 2 Route the fibers to the front side via the opening as shown.
- 3 Store the feeder fiber temporarily on the tray. The inner circle can be used to store waiting fibers.

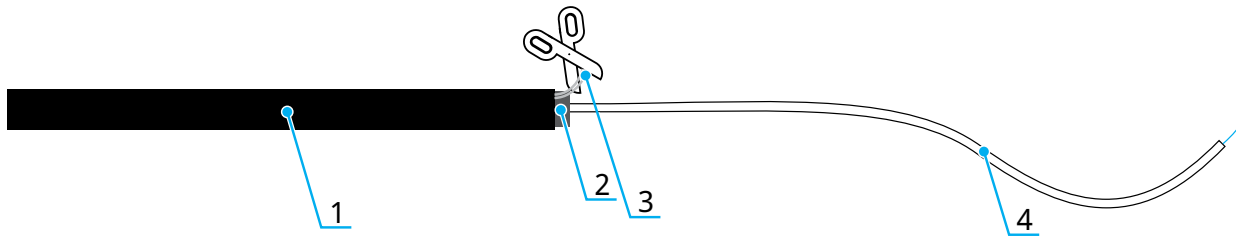
## 6 Install drop cable

**Note:** The separate cable retention kits: TC-1466-IP (Cable retention: Aramid ), TC-1467-IP (Cable retention: Dual cable ), TC-1468-IP (Cable retention: Jacket (Mclip)) or TC-1469-IP (Cable retention: Rigid strength member) are suitable to be used to install the drop cable in the CC 100.

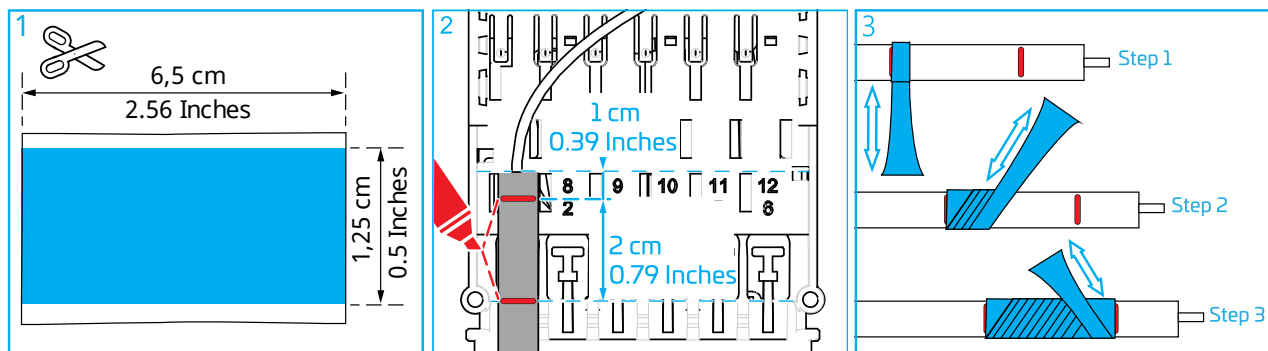
**Important:** For this closure (CC 100), the jacket of the drop cable should be removed in all cases over a distance of **130 ± 5 cm / 51 ± 2 Inches**.

## 6.1 Using T-shapes integrated in organizer

### 6.1.1 Prepare drop cable

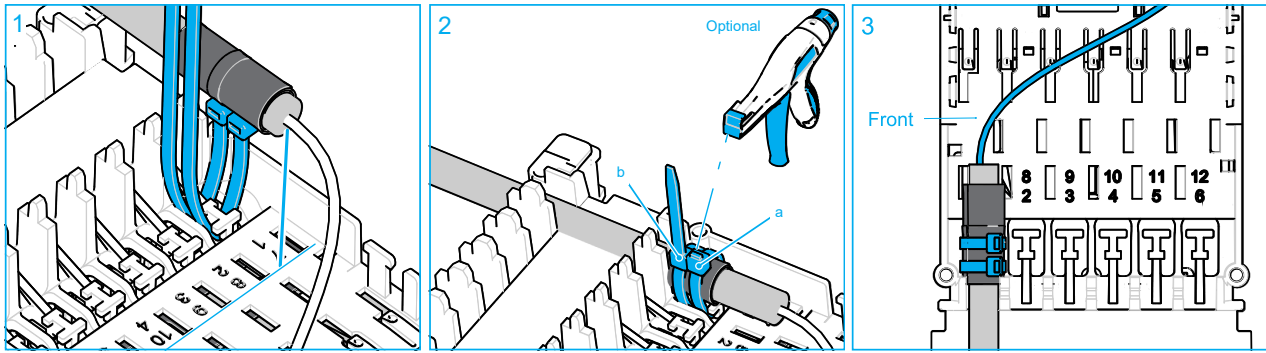


N.º	Description	Preparation
1	Jacket	Remove the jacket over a distance of <b>130 ±5 cm / 51 ±2 Inches</b>
2	Dual jacket (if present)	Strip the dual jacket to a length of <b>1 ±0,2 cm / 0.4 ±0.08 Inches</b> . Remove the aramid yarn inside this second jacket.
3	Aramid yarn/ Rigid strength member	Aramid yarn and rigid strength member are not used within this method.
4	Subunits	Clean the subunits, remove all grease.




- 1 Take the strip of silicone tape with a width of 1.25 cm / 0.5 Inches and cut to a length of 6.5 cm / 2.56 Inches.  
**⚠ Attention:** Make sure your hands are clean and degreased before preparing and installing the cables.
- 2 Position the cable on the organizer: The end of the jacket must be aligned with the top of the rectangular hole (Figure 2). Make a mark where the two ribs hold the cable and a second mark 2 cm / 0.79 Inches from the first.
- 3 Apply the silicone tape between the two marks. Remove the protective paper. Stretch the tape minimum 50% while wrapping the tape around the cable. First apply a full turn around the cable, then continue to cover up to the second mark. Make one turn at the end point and come back with the remaining tape.

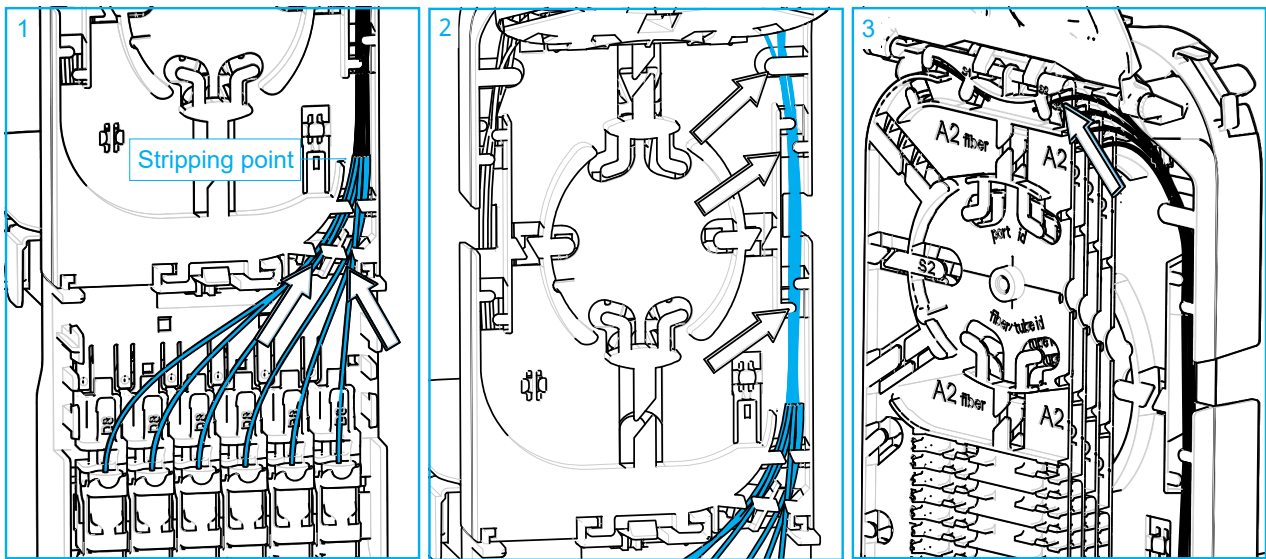
## 6.1.2 Install drop cable



- 1 Install 2 cable ties around the T-shape on the front of the organizer. Position the cable with the taped area on top of the T-shape and secure the cable ties.

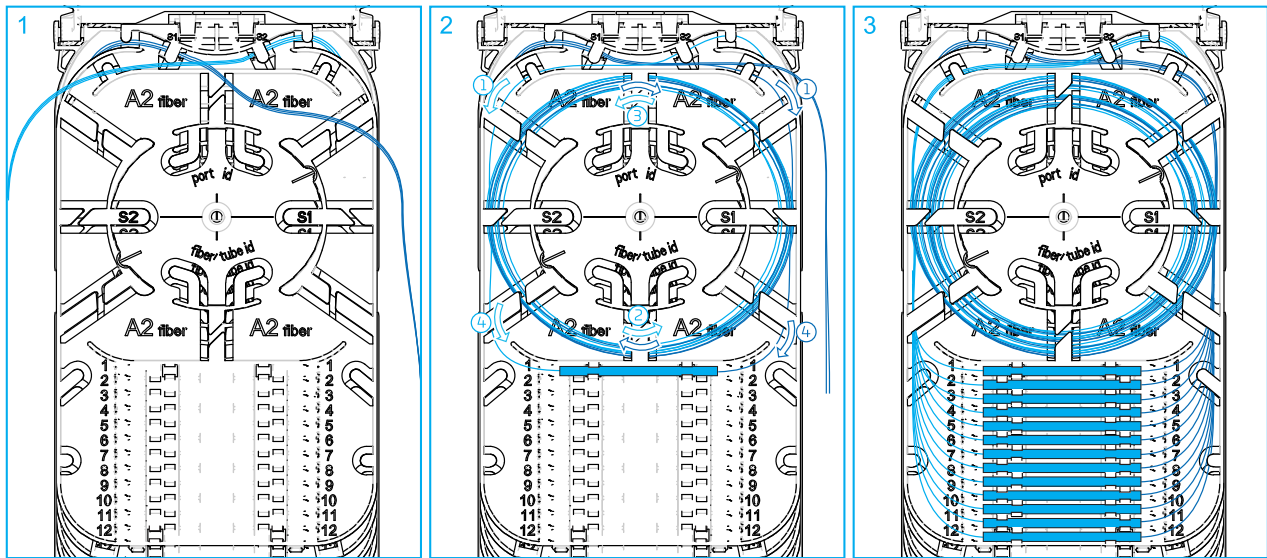
 **Note:** Make sure to install the cable ties with the correct orientation (see figure above).

## 6.2 Route drop fibers to SCM trays



- 1 All drop subunits are routed to the right side. Distribute the subunits to the left and right side of the rib. The stripping point of the subunits is indicated with a line. However if the stripping point is located in the transition zone which is textured, this is acceptable. Strip the subunit to this mark and clean all fibers per standard practice.
- 2 Route the fibers to the trays, making sure they are positioned under the lips.
- 3 The fibers enter the trays.

## 7 Splicing on the trays



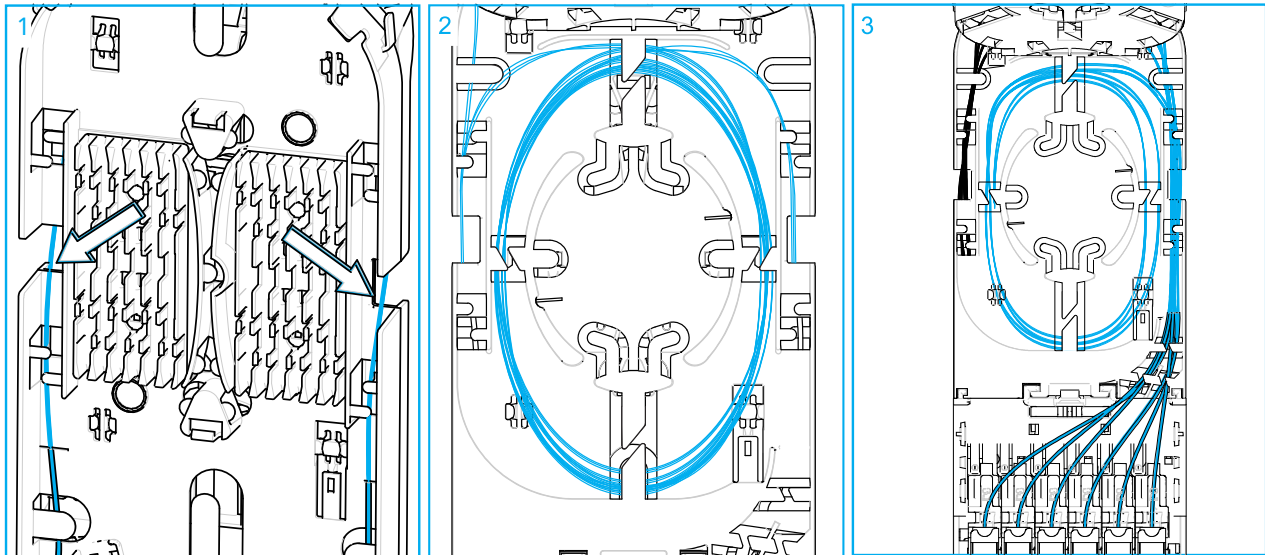
- 1 Overview of feeder fibers and drop fibers entering the top tray.
- 2 Make splice per local practice and store the splice protector in the first splice protector holder location (top). Store the over lengths in loops in the over length storage area respecting following rules:
  - The fibers may not be routed too tightly around the middle circle.
  - Avoid bulging of the fiber.
  - Make sure all fibers are properly positioned under the lips. The fiber guidance pen can be used.
- 3 This tray has following specifications:
  - The tray can hold 1 layer of 12 splice protectors length 45 mm / 1.77 Inches.
  - In the middle area of the over length storage, there is the possibility to mark port id and fiber/ tube id with a permanent marker.

## 8 The pocket zone

Under the trays an area is available for storing fibers, from both sides feeder and drop. This area is the pocket. In this area the fibers can also change sides.

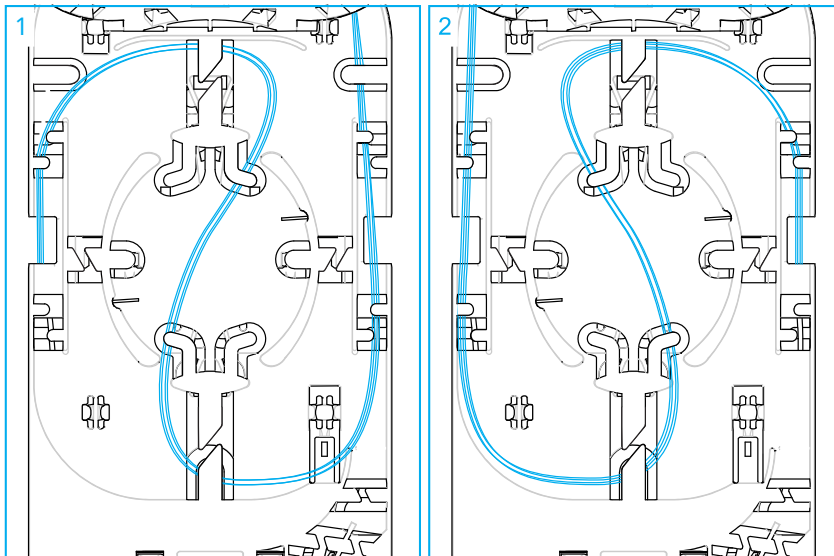


## 8.1 Storing fibers in the pocket zone



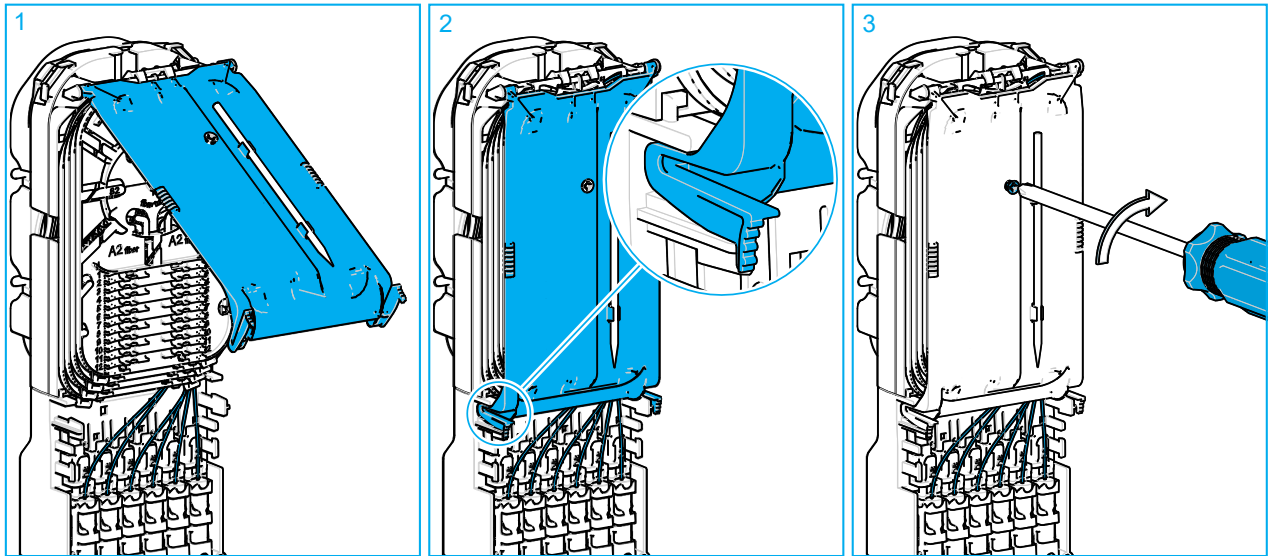
- 1 Shaved feeder fibers can be stored into the storage zone under the trays at the front side (pocket zone). Route the fibers through the opening left and right as shown.
- 2 Coil the fibers and store it under the lips in the pocket.
- 3 Also drop fibers can be stored in the pocket zone.

## 8.2 Use the pocket zone to change side



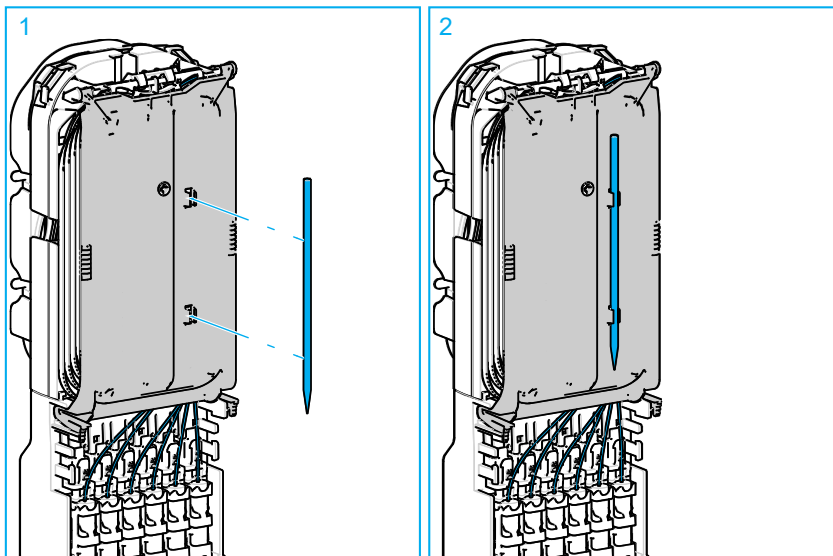
- 1 The pocket zone can be used to change side to avoid crossings on the tray. Figure 1 provides an example of a feeder fiber entering the front side of the organizer at the left side and routed to the tray via the right side.
- 2 Figure 2 provides an example of a feeder fiber entering the front side of the organizer at the right side and routed to the tray via the left side.

## 9 Close the demarcation cover



- 1 Close the demarcation cover.
- 2 Secure the cover with the locking features to the organizer.
- 3 Lock the demarcation cover by secure the screw.

## 10 Restore fiber guidance pen



- 1 Restore the fiber guidance pen for future use.

## **11 Disclaimer**

All trademarks identified by ® are registered trademarks in the US and may be registered in other countries. All third party product names, trademarks and registered trademarks are property of their respective owners.

This product may be covered by one or more U.S. patents or their foreign equivalents. For patents, see [www.cs-pat.com](http://www.cs-pat.com).

This document is not intended to modify or supplement any specifications or warranties relating to CommScope products or services.

## **12 Contact information**

Visit our website or contact your local CommScope representative for more information. [www.commscope.com](http://www.commscope.com)

For technical assistance, customer service, or to report any missing/damaged parts, visit us at:

<http://www.commscope.com/SupportCenter>