

4

3

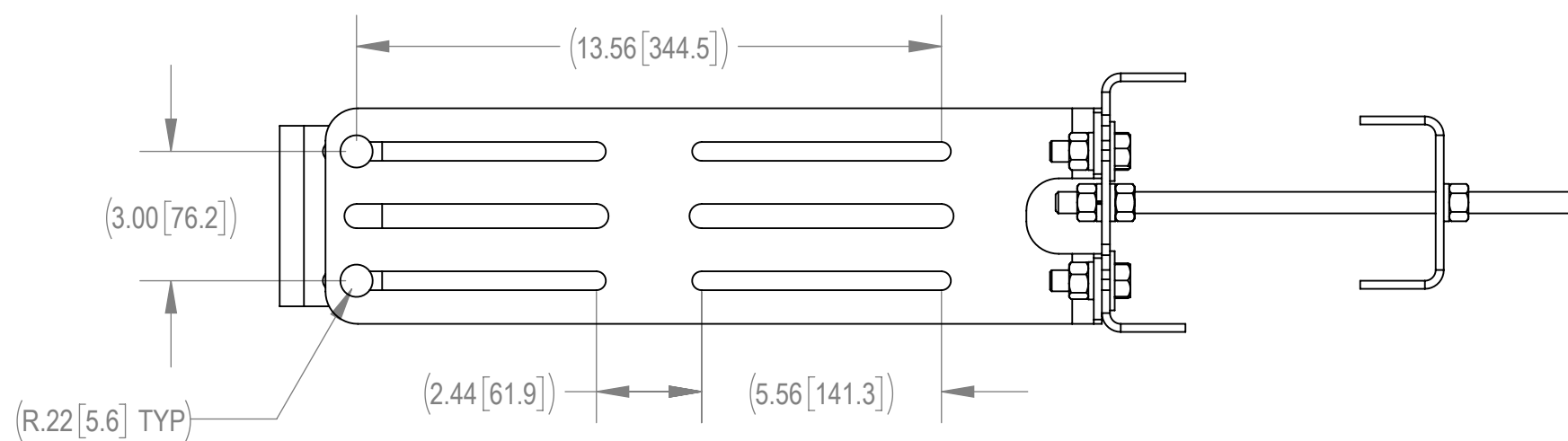
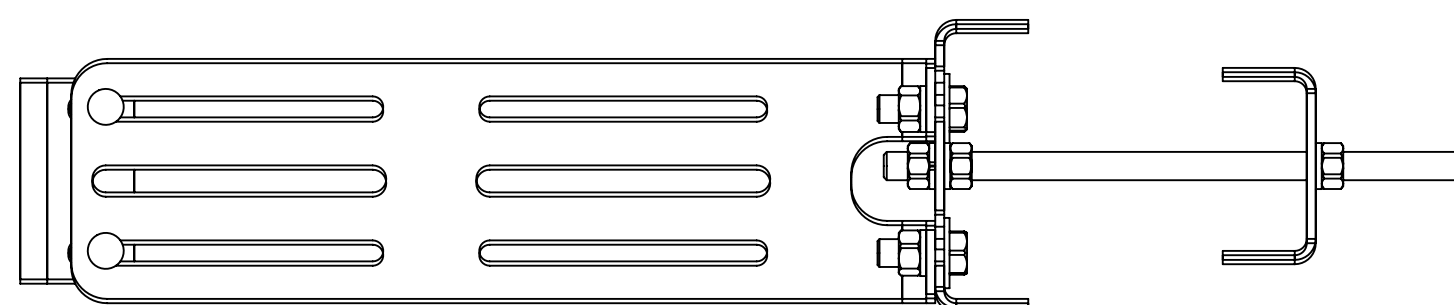
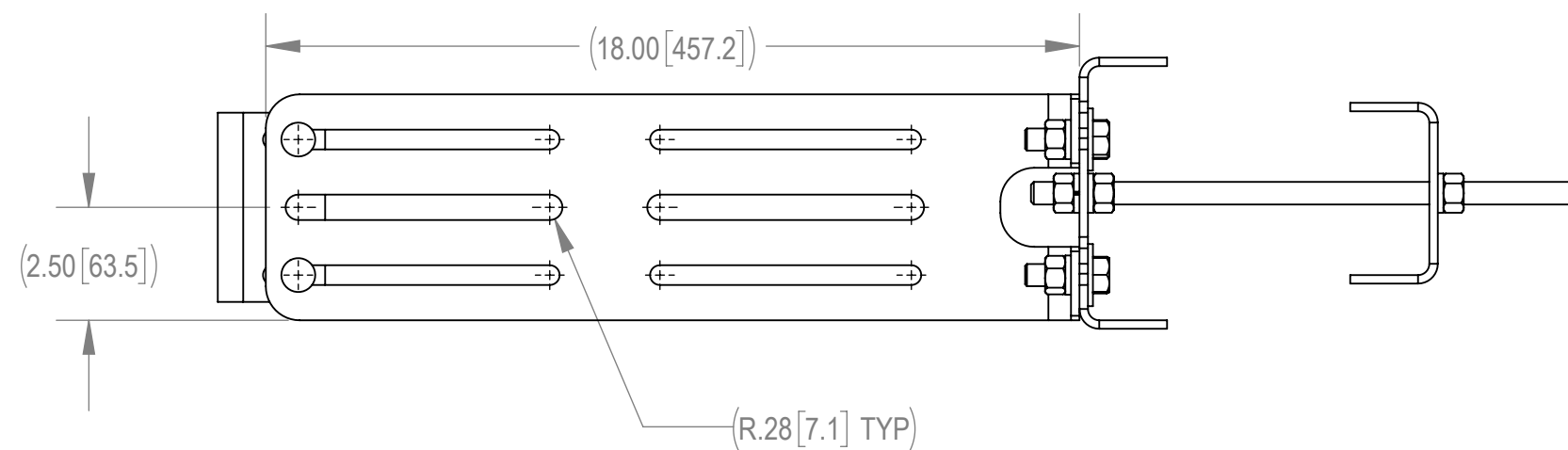
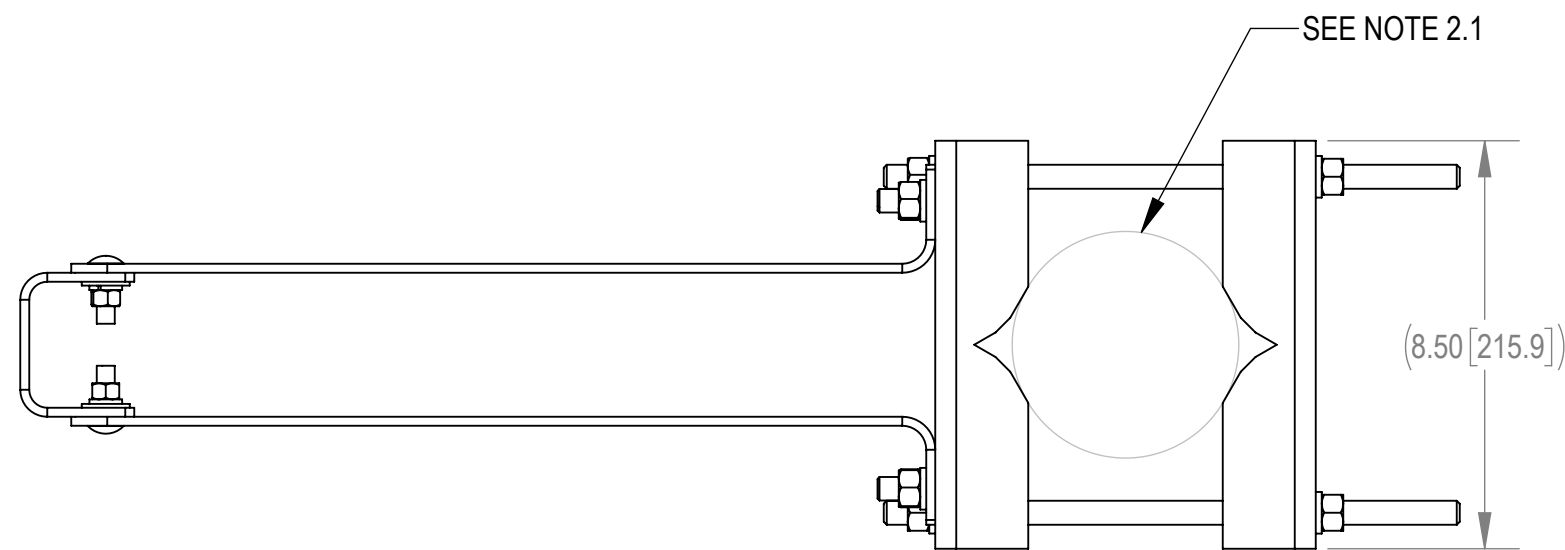
2

1

NOTES:

- 1.0 GENERAL NOTES
- 1.1 ALL METRIC DIMENSIONS ARE IN BRACKETS.
- 2.0 DESIGN NOTES
- 2.1 MOUNT WILL FIT LEGS UP TO:
 - Ø 5.6" ROUND
 - 6.0" 60° ANGLE
 - 4.5" 90° ANGLE
- 2.2 PRE-ASSEMBLE EQUIPMENT TO HANGER BRACKETS (ITEM 2).
- 2.3 MEASURE DISTANCE BETWEEN HANGER BRACKETS (ITEM 2).
- 2.4 ASSEMBLE BRACKETS ITEMS 1 & 3 TO MAST/MEMBER.
- 2.5 CONFIRM FIT DISTANCE.
- 2.6 WITH ITEMS 4 & 5 LOOSE, SLIDE HANGER INTO POSITION THEN TIGHTEN BOLTS FOR INSTALLATION.
- 3.0 MANUFACTURING/SPECIAL REQUIREMENTS
- 4.0 TEST
- 5.0 PACKAGING

REVISIONS				
REV.	ECN	DESCRIPTION	BY	DATE
A	8000031586	INITIAL RELEASE	RJC	09/18/18
B	8000033697	ADDITIONAL DIPLEXER/ EQPT BRACKET	FA	1/30/2019
C	8000036136	ADDED RRFA-0001-00, RRFA-0002-00 FOR STABILIZING	RJC	07/01/19
D	8000037958	REMOVED RRFA-002-00 FROM ASSY	RJC	11/20/19



DENSITY	0.28	lbs/in ³
MASS	83.40	lbs
VOLUME	295.80	in ³
SURFACE AREA		in ²
HEIGHT	5.0	
LENGTH	24.0	
WIDTH	6.0	

© 2018 CommScope, Inc.

COMMSCOPE, INC. OF NORTH CAROLINA																
TOLERANCES					SAP MATERIAL MASTER											
0 PLACE X ± .25		2 PLACE .XX ± .06			RR-FA3											
1 PLACE X ± .12		ANGLES ± 2°														
FINISH GALV A123					MATERIAL A1011/A1018 GR 36											
UNLESS OTHERWISE SPECIFIED DIMENSIONS ARE IN INCHES INTERPRET PER ANSI Y 14.5M-1994	CE	RJC	DATE	09/12/18	FAST ACCESS TRIPLE RRU MOUNT											
	RW	BCAMPBELLCON	DATE	11/21/2019												
	RV															
	AD	MC1107	DATE	11/21/2019												
	RE	FA1024	DATE	11/22/2019	SCALE 1:4		DOCUMENT NO. RR-FA3									
ECN 008000037958		SIZE		WORK AREA	24	MODEL			DRAWING							
C			VERSION	09	STATUS	RE	REVISION	D	VERSION	10	STATUS	RE	REVISION	D	SHEET	1 OF 3

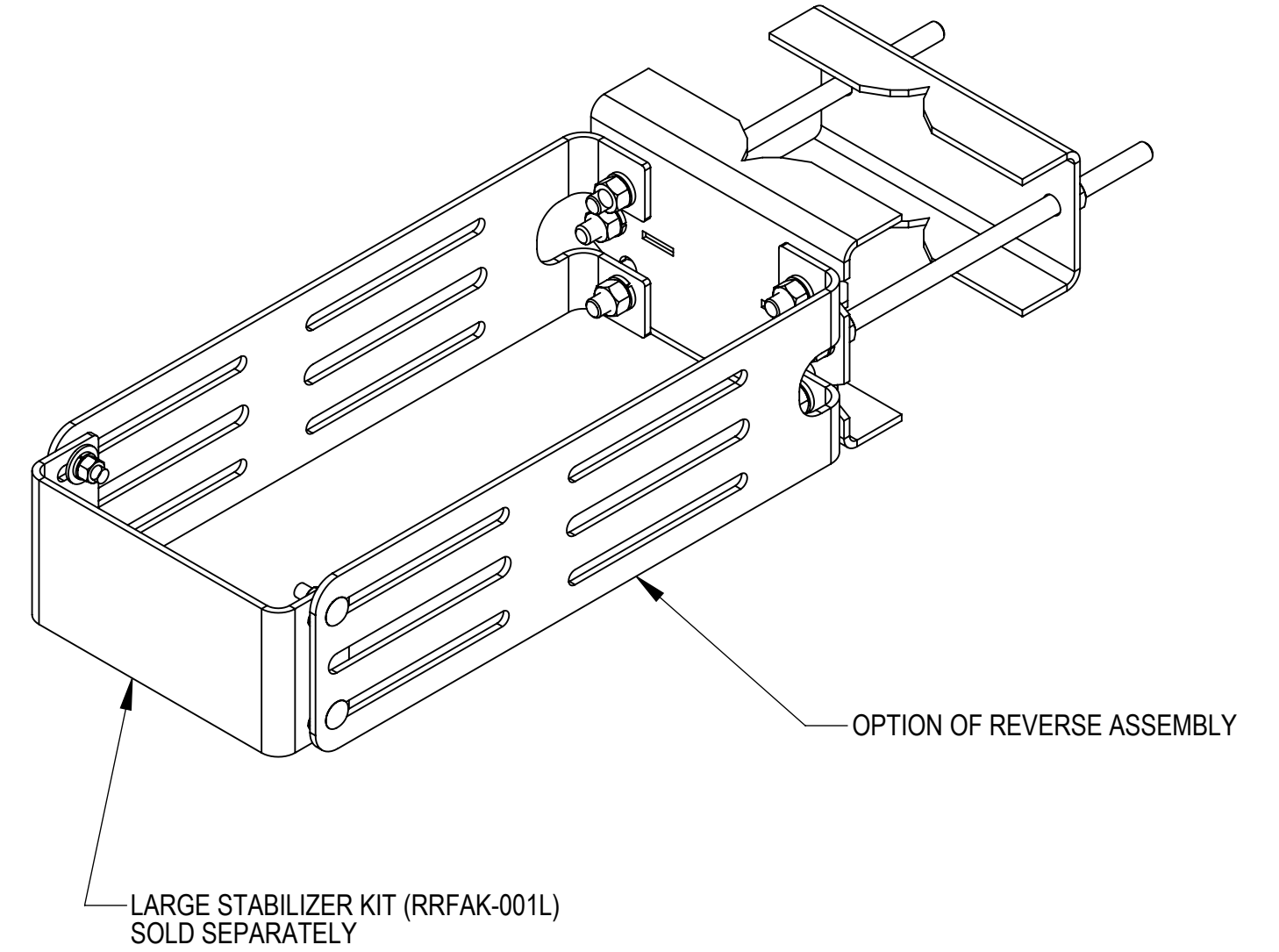
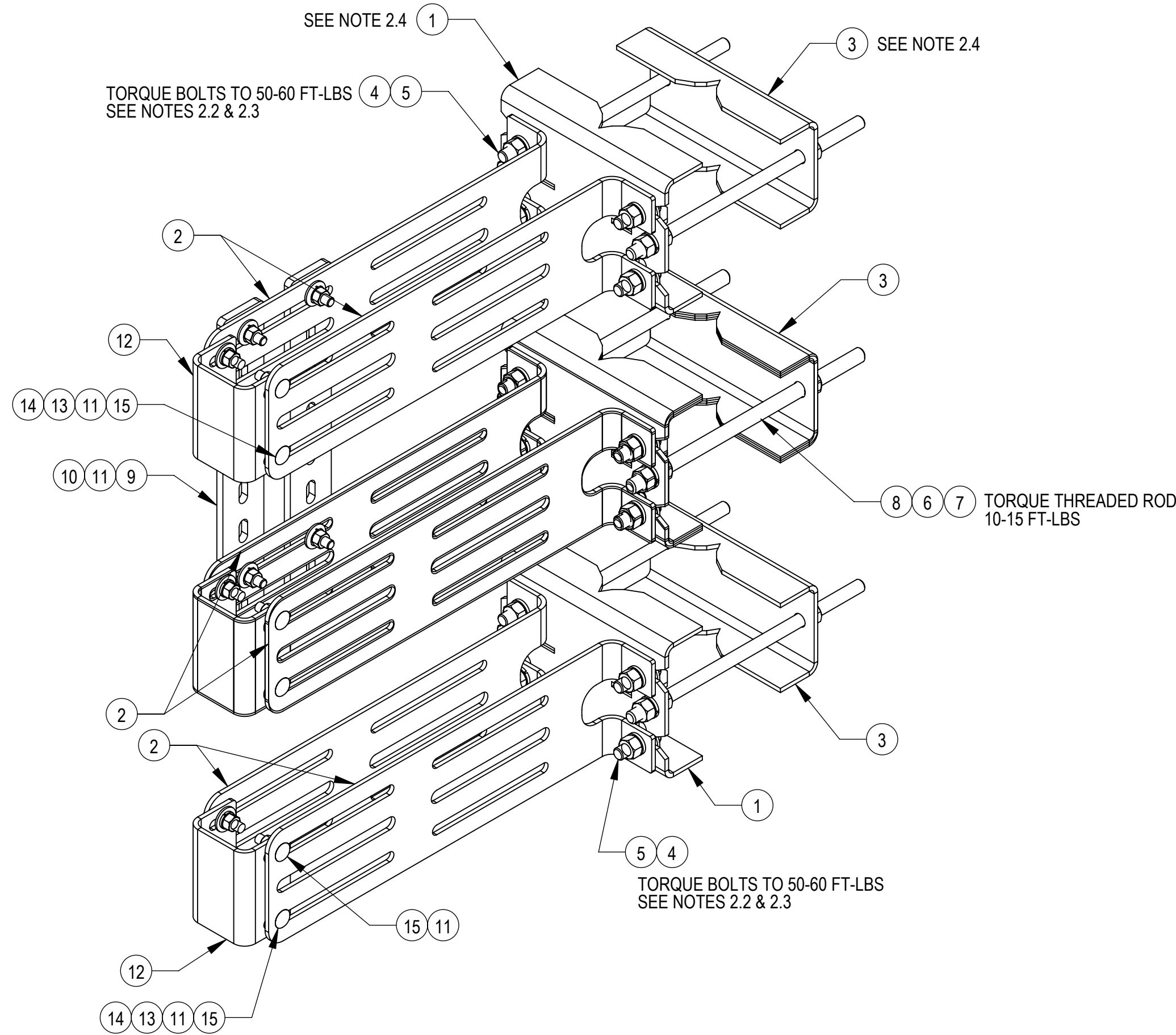
4

3

2

1

NOTES:



ITEM	PART NO.	DESCRIPTION	QTY.	NOTE NO.
1	MTC378912	WELDED FRONT BRACKET	4	
2	MTC378909	RRU HANGER	8	
3	MTC378903	REAR BRACKET	4	
4	GWF-04	1/2" GALV FLAT WASHER	16	
5	GB-04145	1/2" X 1-1/2" GALV BOLT KIT	16	
6	GWL-04	1/2" GALV LOCK WASHER	24	
7	GN-04	1/2" GALV HEX NUT	24	
8	MT-379	1/2" X 12" GALV THREADED ROD	8	
9	MTC378917	DIPLEXER/EQPT MOUNT BRKT	2	
10	GB-03145	3/8" X 1-1/2" GALV BOLT KIT	4	
11	GWF-03	3/8" GALV FLAT WASHER	16	
12	RRFA-0001-00	BRACKET, RRU MOUNT SMALL STABILIZER	3	
13	GWL-03	3/8" GALV LOCK WASHER	12	
14	GN-03	3/8" GALV HEX NUT	12	
15	MTC8196	3/8 X 1-1/4" Carriage Bolt	12	

COMMSCOPE, INC. OF NORTH CAROLINA				
TITLE FAST ACESS TRIPLE RRU MOUNT				
SIZE C	SCALE 1:4	DOCUMENT NO. RR-FA3		
DRAWING		VERSION	STATUS	REVISION
		10	RE	D
				SHEET 2 OF 3

4

3

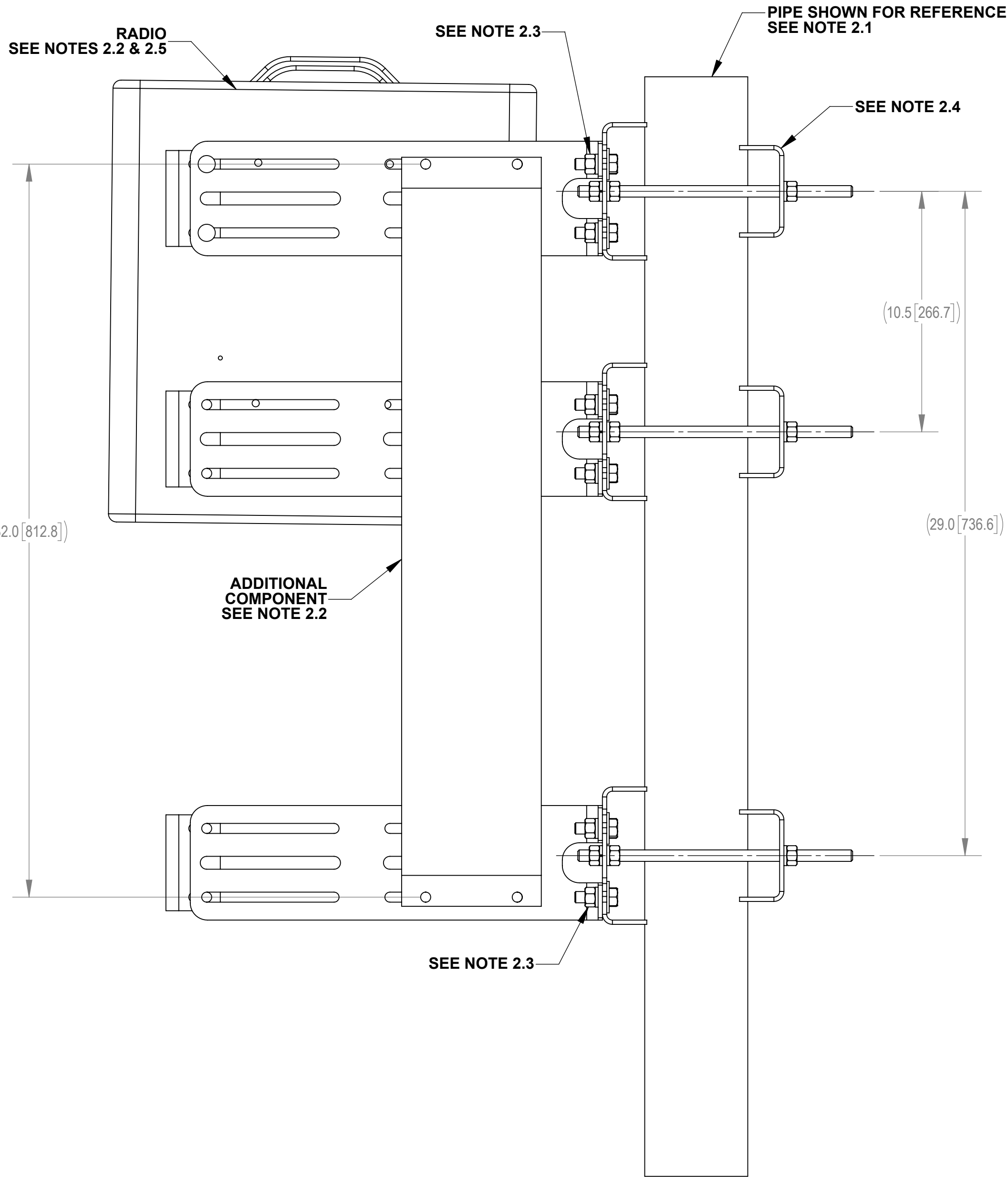
2

1

NOTES:

D

D



C


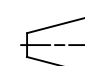
C

B

B

A

A

COMMSCOPE, INC. OF NORTH CAROLINA				
TITLE FAST ACESS TRIPLE RRU MOUNT				
SIZE C	SCALE 1:4	DOCUMENT NO. RR-FA3		
 		DRAWING		SHEET 3 OF 3
		VERSION 10	STATUS RE	

© 2018 CommScope, Inc.

4

3

2

1