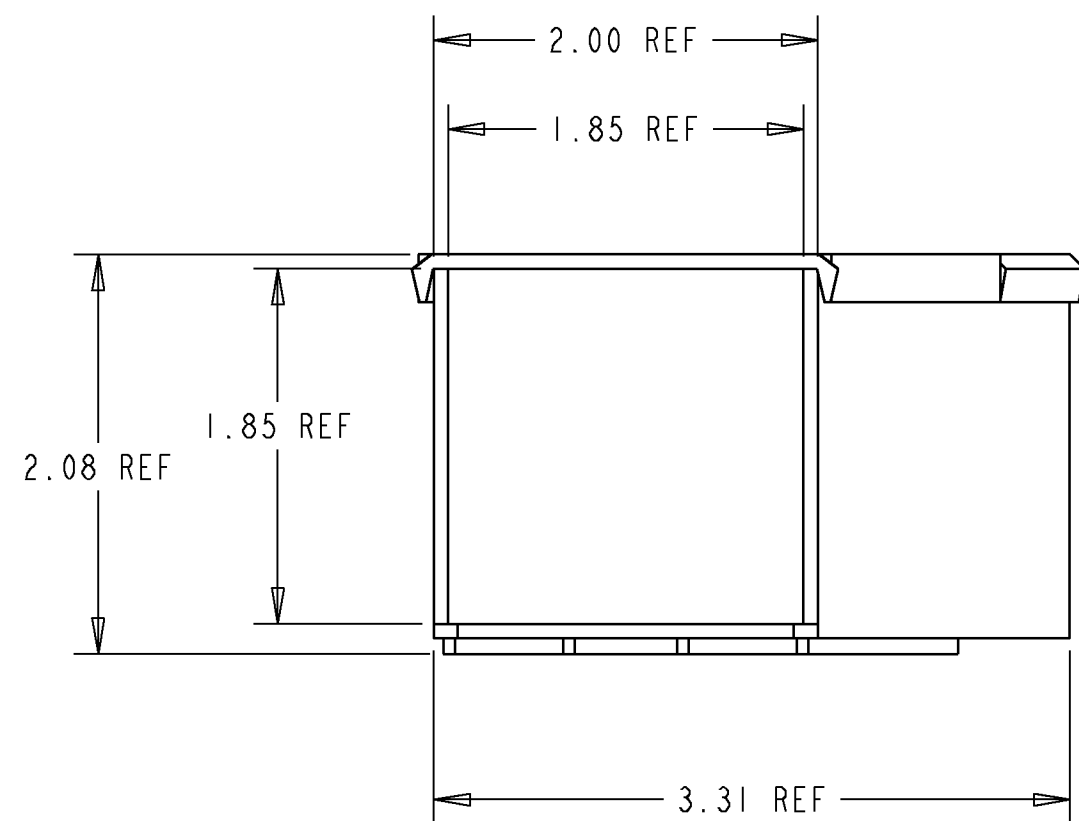
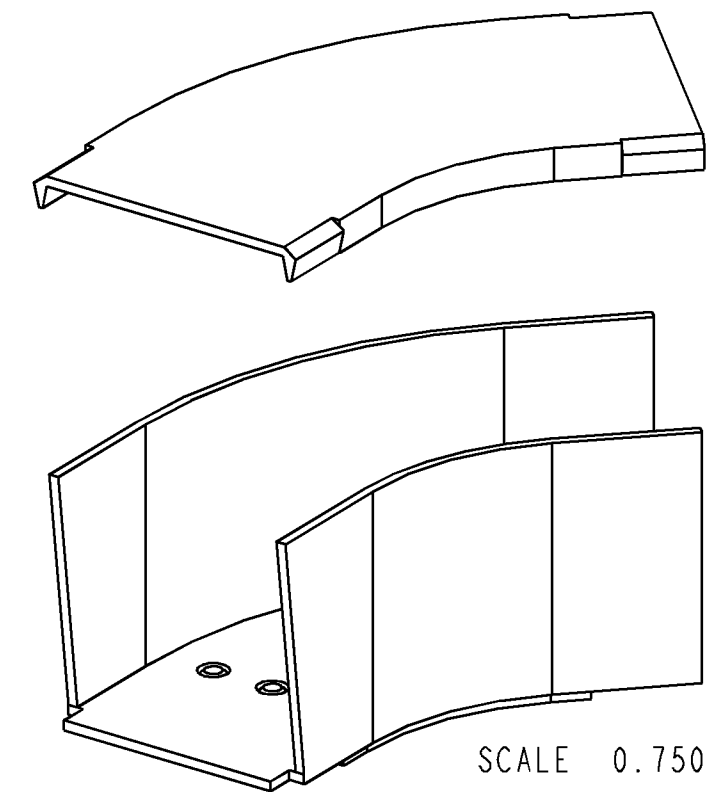
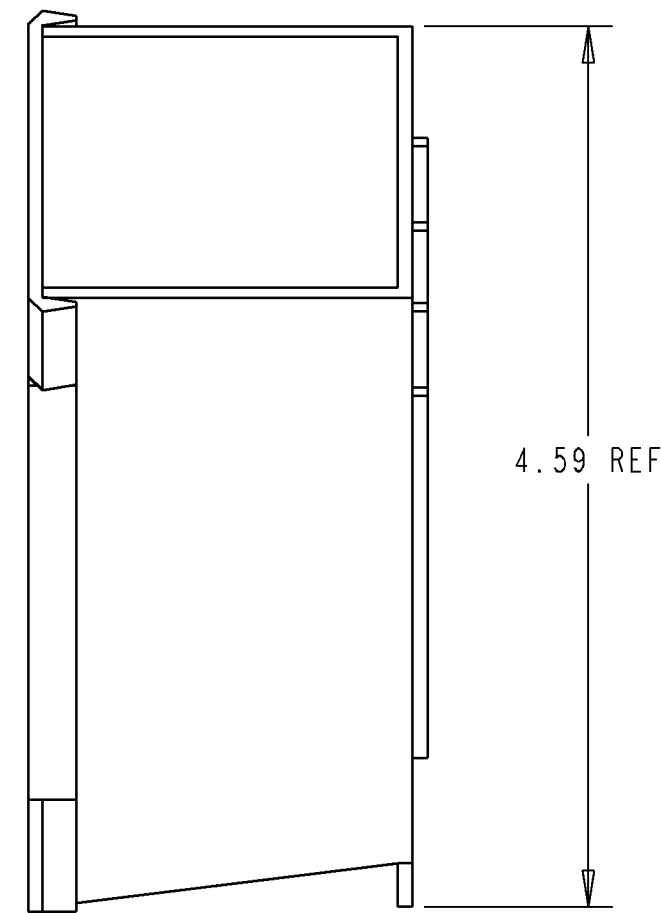
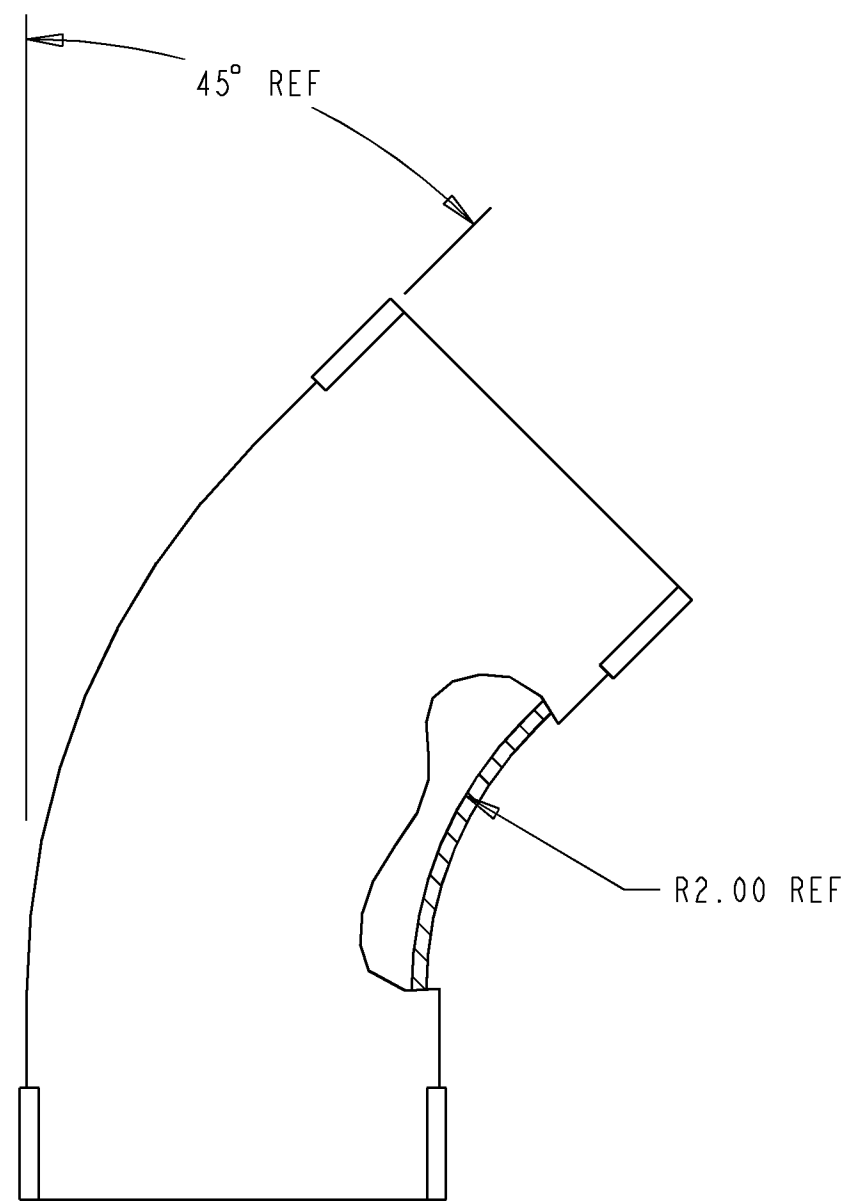


REV	MCO	DWN	DATE
A	20003177	TH	8/20/97
B	20239114	AED	02-MAY-08



NOTES:

- MATERIAL IS SELF EXTINGUISHING WITH A UL 94 RATING OF V-0.

CATALOG NO.	COLOR
FGSB-MH4A-C	BLACK
FGS-MH4A-C	YELLOW
FGSO-MH4A-C	ORANGE



INFORMATION ON THIS DOCUMENT IS PROPRIETARY TO ADC AND SHALL NOT BE USED, COPIED, REPRODUCED OR DISCLOSED IN WHOLE OR IN PART WITHOUT WRITTEN CONSENT OF ADC.

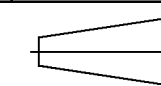
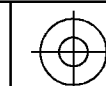
ALL DIMS AND TOLERANCES ARE INCHES UNLESS OTHERWISE SPECIFIED

DO NOT SCALE DRAWING

TITLE
ELBOW, 45 HORIZ, 2X2
INSTALLATION DWG

C SIZE
DRAWING NUMBER
4-40001-8048

B REV
ENGR: T. HAATAJA
DWN: T. HAATAJA
SHT. 1 OF 1



**DIMENSIONS IN INCHES
THIRD ANGLE PROJECTION**