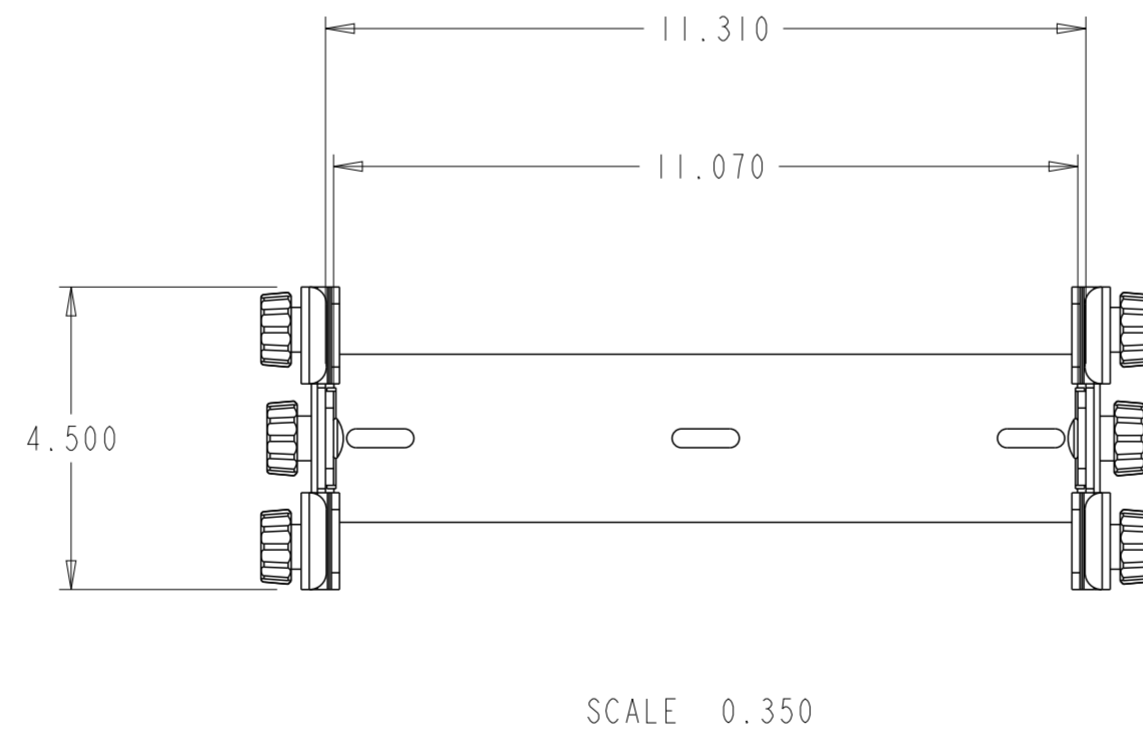
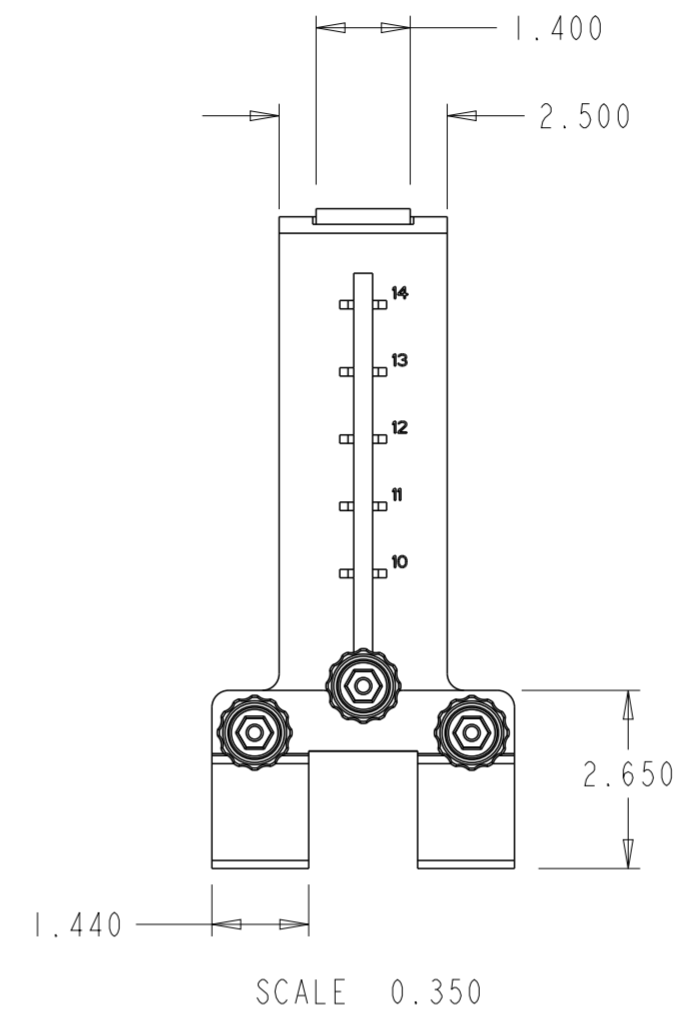
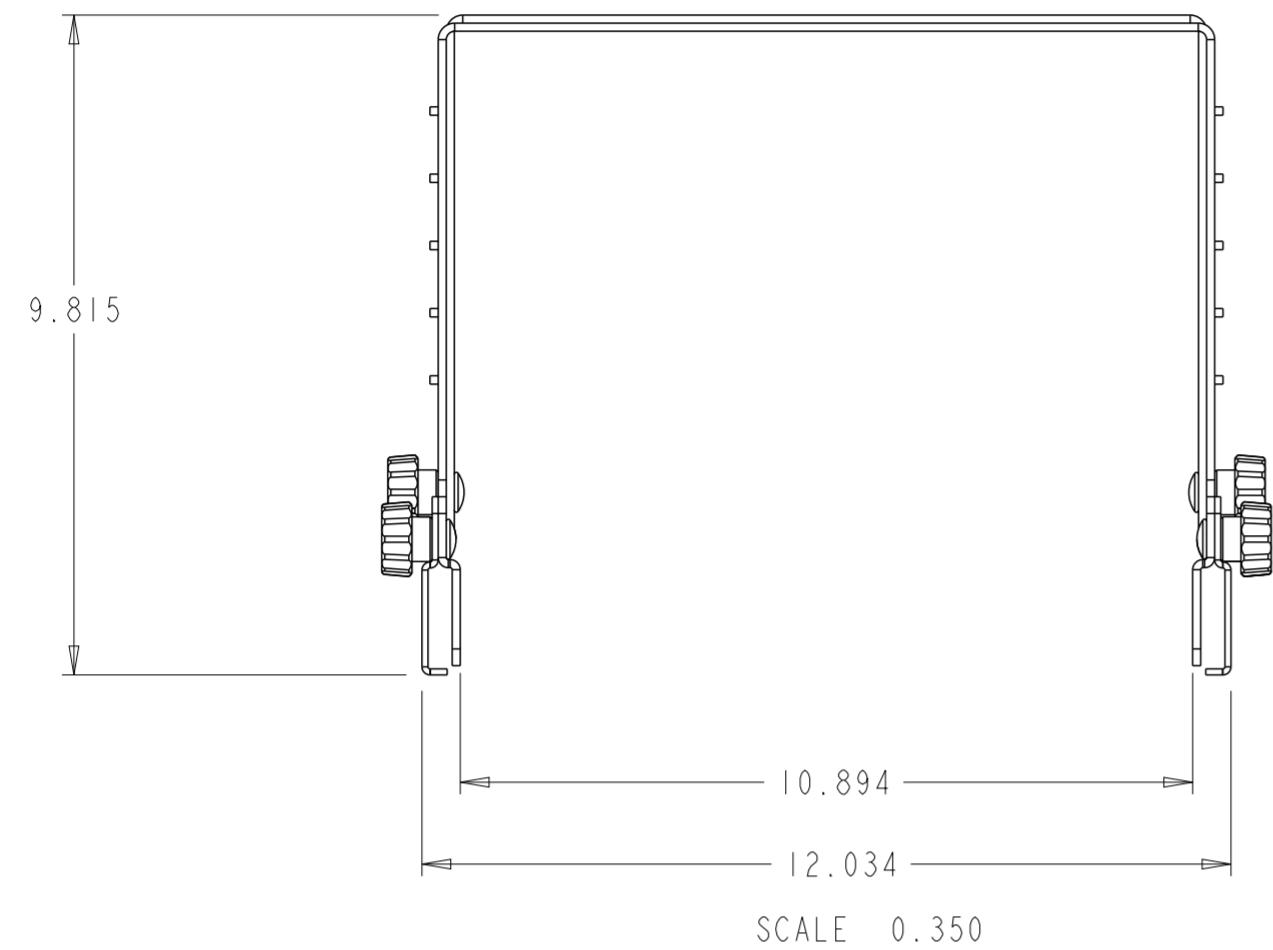


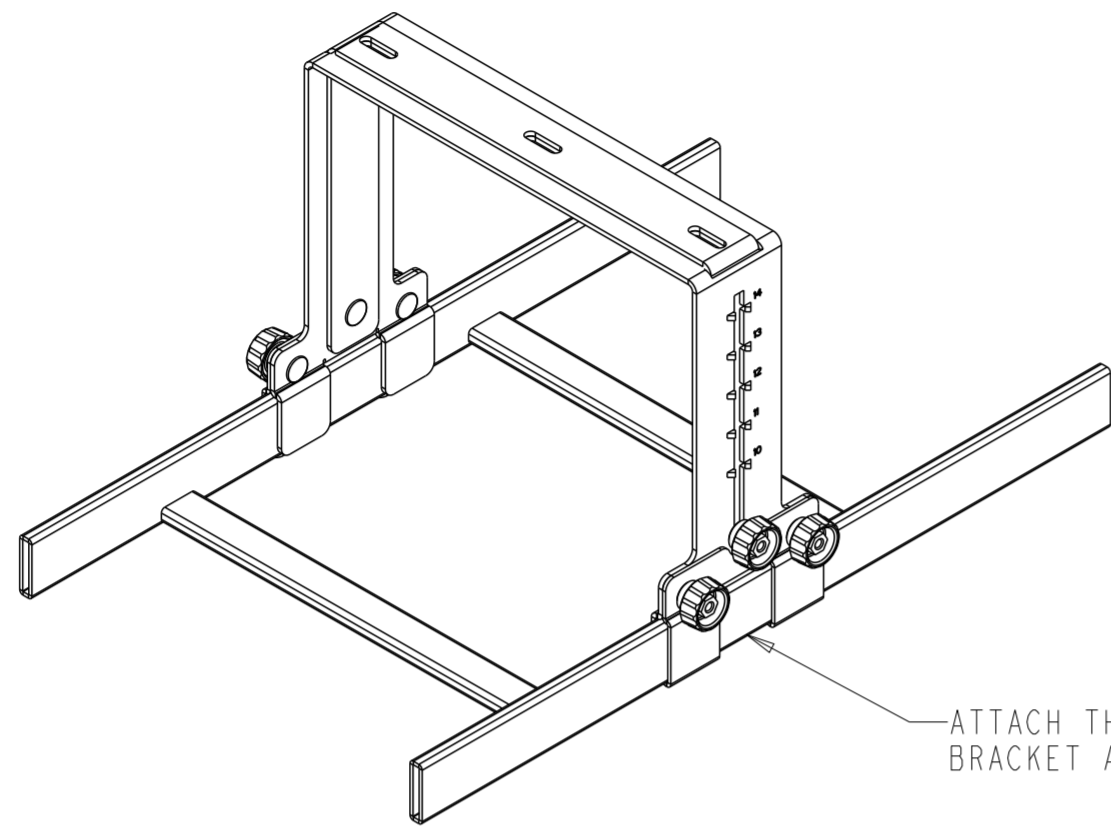
REVISIONS			
REV	DESCRIPTION	DATE	APPROVED
A	40074666CMO	15-OCT-18	MAM
B	40089406CMO	24-APR-2019	MAM

TOOL-LESS FGS SUPPORT BRACKET 12"

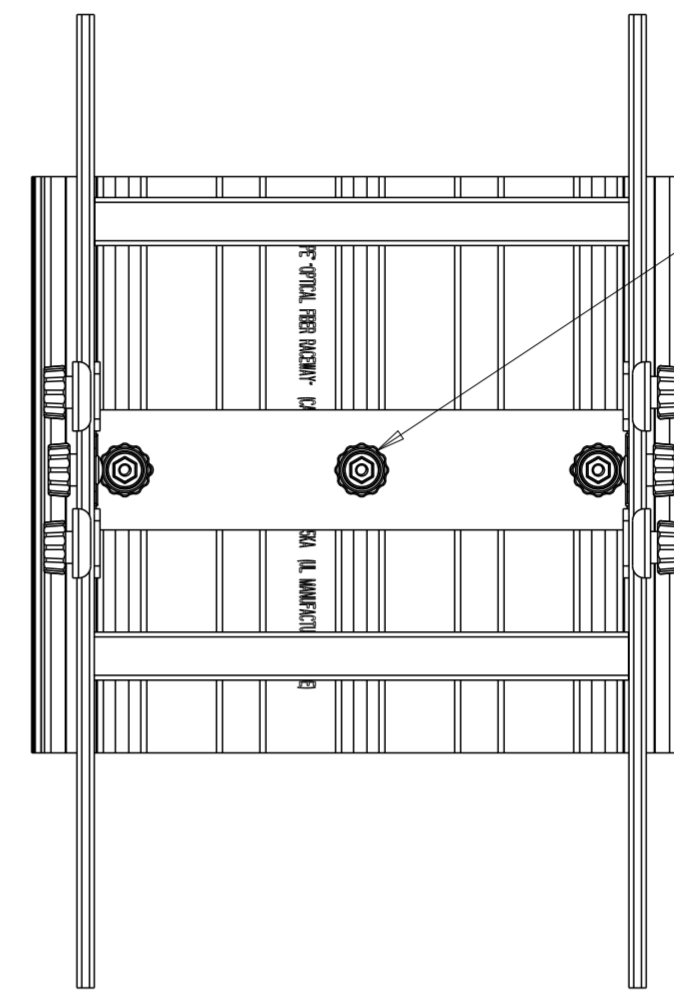


FGS-HTBK-12

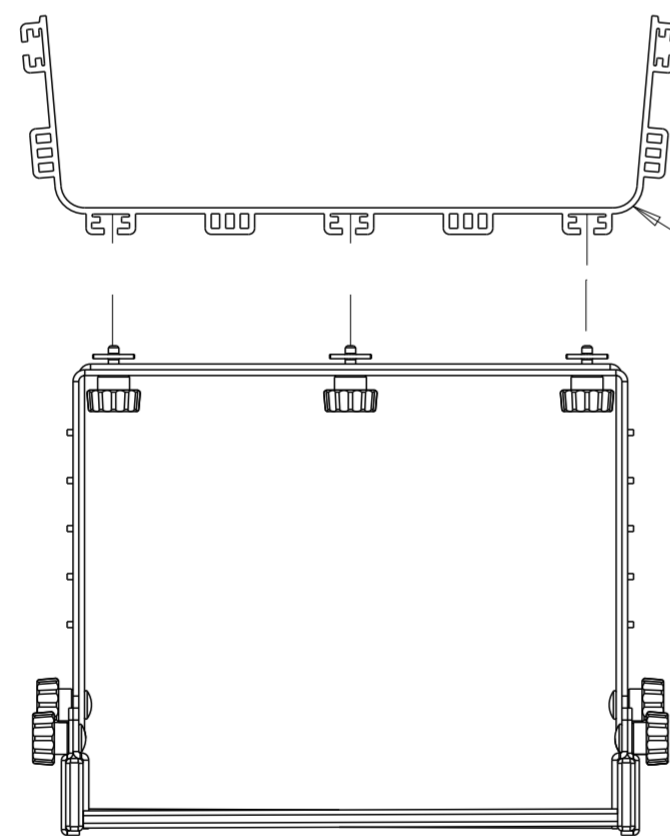
COMMSCOPE, INC.			
DRAFTER MIGUEL ANGEL MUÑOZ		TITLE TOOL-LESS FGS SUPPORT BRACKET	
ENGINEER RUBEN ARVILLA	SIZE A2	SCALE 0.250	DOCUMENT NO. 660002626
CUSTOMER DRAWING			REVISION B
			SHEET 1 OF 2



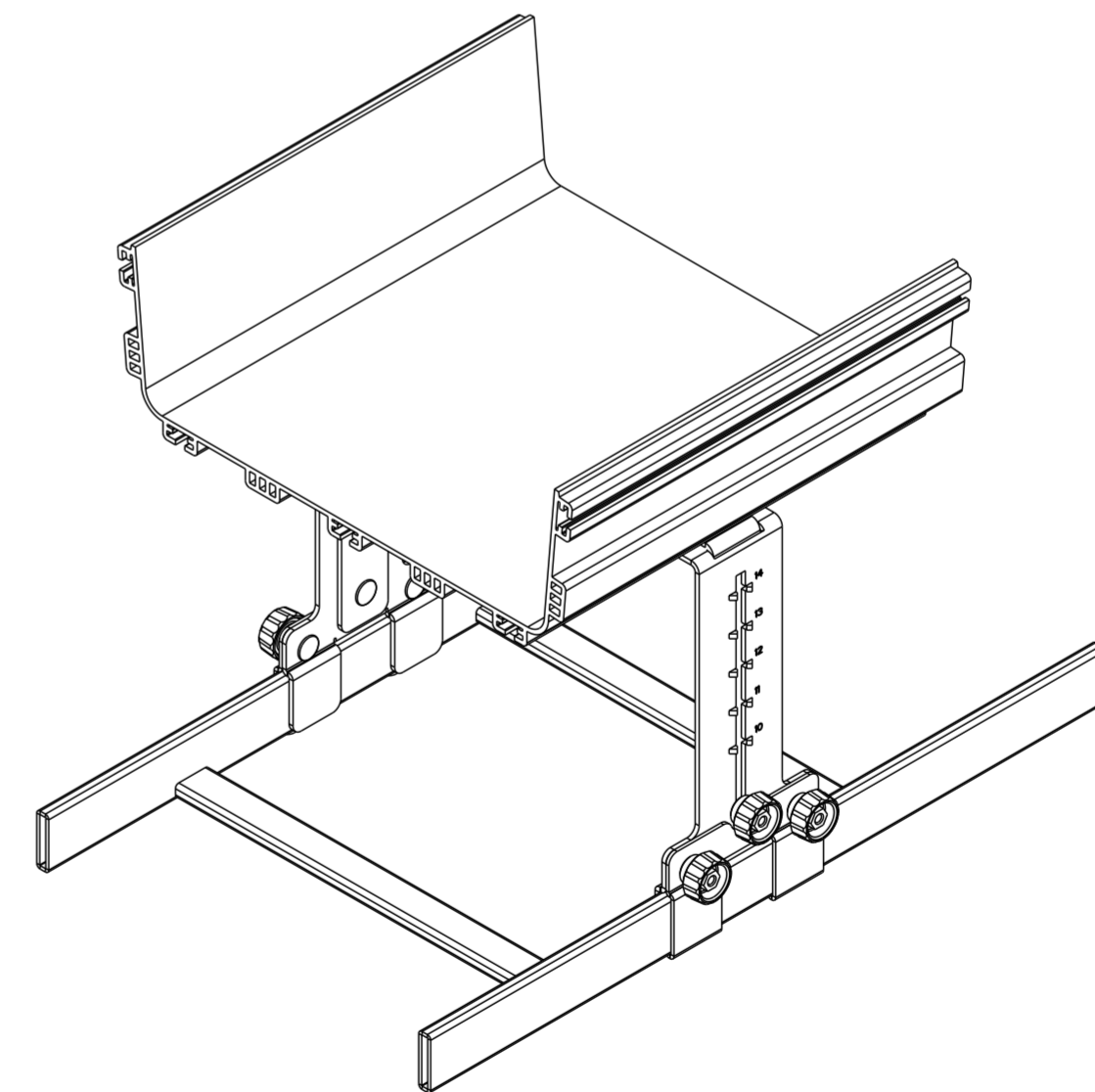
ATTACH THE LADDER SORRAIL WITH THE SUPPORT BRACKET AND SUPPORT TIGHTEN BRACKET.



ATTACH QUICK KNOB WITH T-BOLT WITH THE FIBER GUIDE.



INSERT FIBER GUIDE IN THE QUICK KNOB WITH T-BOLT



COMMSCOPE, INC.			
DRAFTER MIGUEL ANGEL MUÑOZ		TITLE TOOL-LESS FGS SUPPORT BRACKET	
ENGINEER RUBEN ARVILLA	SIZE A2	SCALE 0.250	DOCUMENT NO. 660002626
CUSTOMER DRAWING			REVISION B
			SHEET 2 OF 2