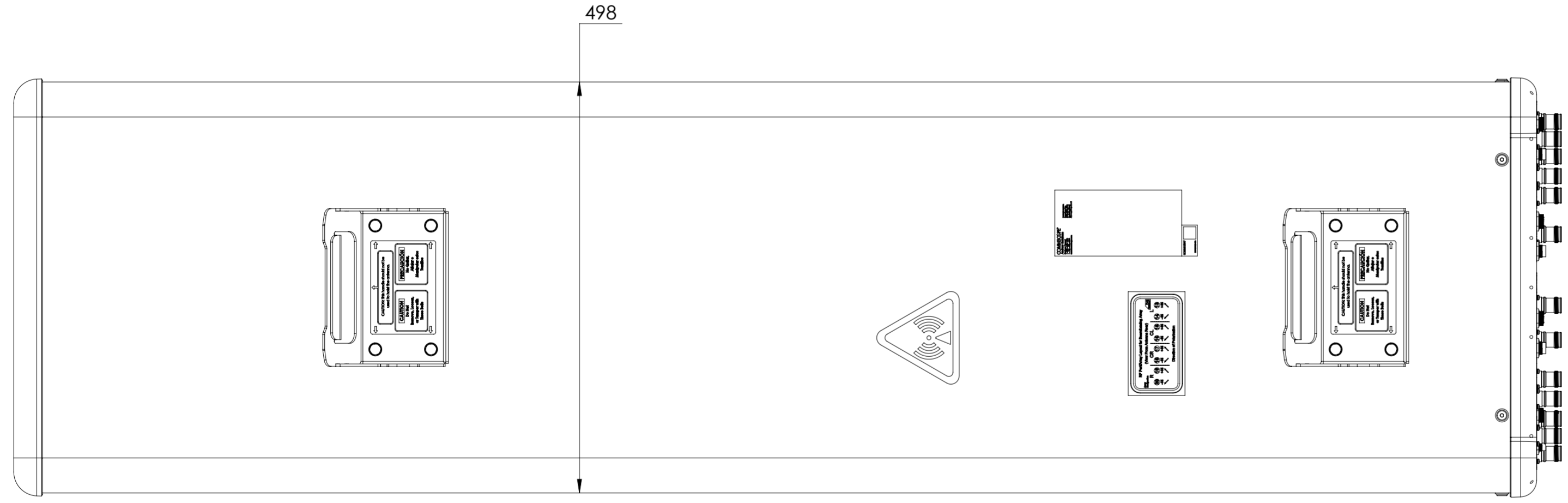
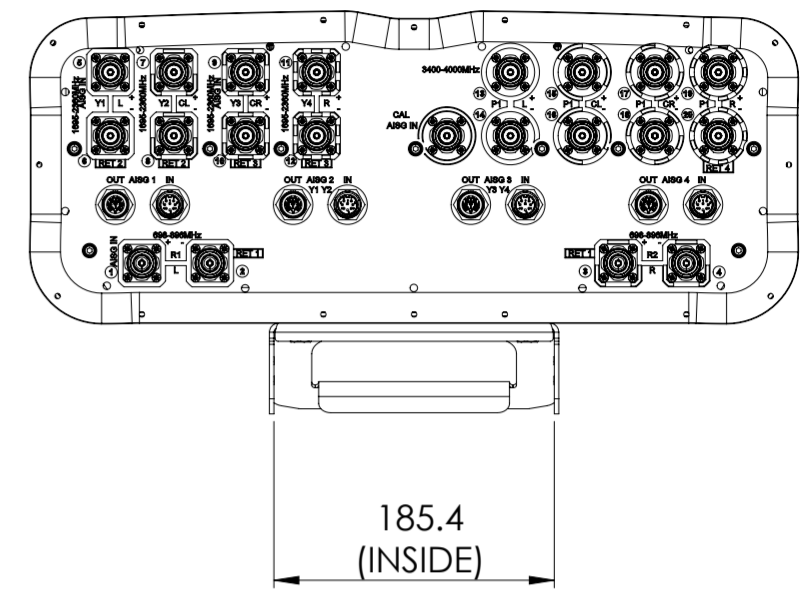
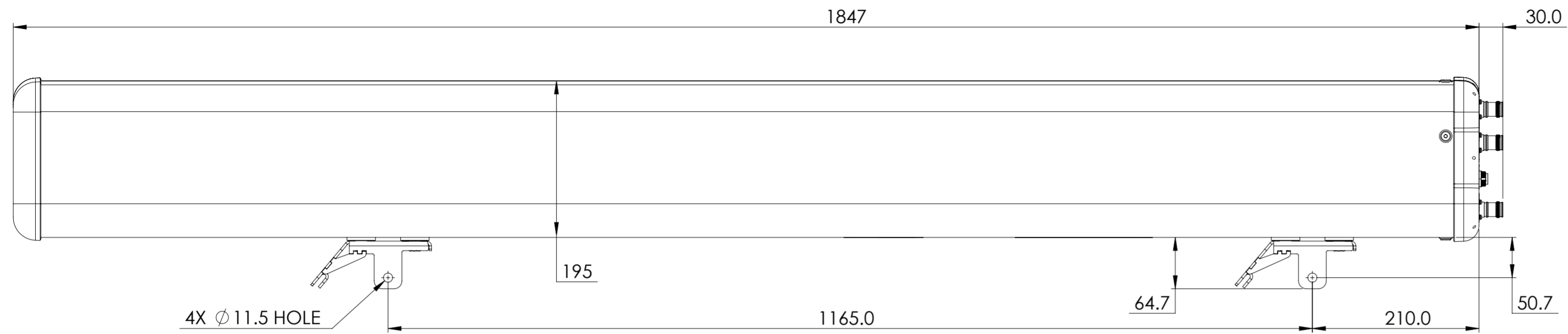


NOTES:

REVISIONS			
REV.	DESCRIPTION	DATE	APPROVED
A	ECR 8000043680: REL TO PRODUCTION PER EAO 608394.	23APR21 CY	ZHWJ/WJ
B	ECR 12617PC: REMOVE EXTRA RIVET AND WASHER.	27MAY21 WZQ	ZHWJ/JGENG
C	ECR 40152755CMO: UPDATE DRAWING WITH LATEST MODEL.	29JUL22 SL	DM.WANG/WFW



NNH4S4-65B-R4B-V1

COMMScope, INC. OF NORTH CAROLINA

TOLERANCES		SAP MATERIAL MASTER	
0 PLACE X ±	2 PLACE .XX ±		
1 PLACE .X ±	ANGLES ±		
FINISH		MATERIAL	

UNLESS OTHERWISE SPECIFIED DIMENSIONS ARE IN MILLIMETERS INTERPRET PER ISO STANDARDS HANDBOOK 1 TECHNICAL DRAWINGS VOLUMES 1 & 2, THIRD EDITION (2002)	NAME	DATE	PRODUCT DRAWING
	CE CY	04/23/2021	
	RW LS1124	08/10/2022	
	AD DW1030	08/18/2022	
	RE RY1017	08/19/2022	
ECN 40152755CMO			SCALE: 1:5
			DOCUMENT NO. NNH4S4-65B-R4B-V1-L

DENSITY	g/mm ³		
MASS	grams		
VOLUME	mm ³		
SURFACE AREA	mm ²		
HEIGHT		SIZE	WORK AREA BSA
LENGTH		A2	
WIDTH		VERSION	MODEL
		02	RE
		REVISION	DRAWING
		C	02
		REVISION	STATUS
		C	RE
		SHEET	REVISION
		1 OF 1	C