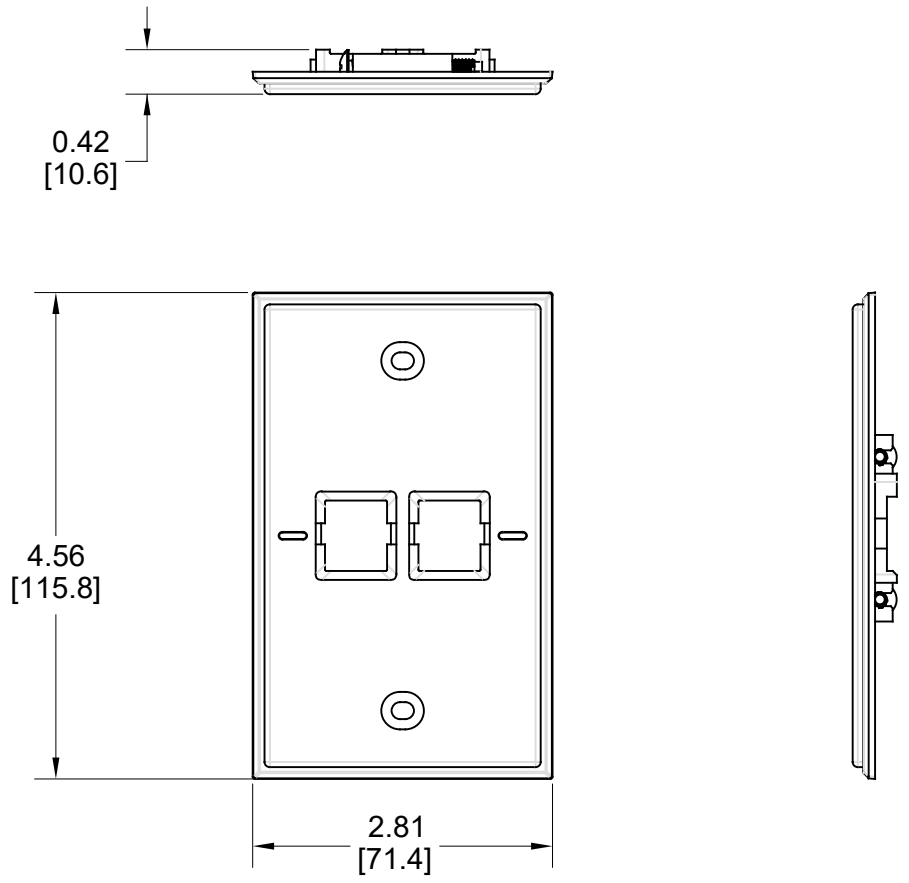


MATERIAL ID	DESCRIPTION
760248929	FP KT 2P NLBL 003

NOTES:

- SEE COMMSCOPE CATALOG FOR PART NUMBER SUFFIXES TO INDICATE COLOR/PKG.
- SEE COMMSCOPE CATALOG FOR COMPLETE LIST OF PARTS RELATED TO THE USE OF THIS PRODUCT.
- DIMENSIONS IN PARENTHESES ARE IN METRIC[MM].
- PART INCLUDES:
 - (1) 2 PORT NAR NLBL FP, BLACK
 - (2) SCREW



FP KT 2P NLBL 003	
COMMSCOPE, INC OF NORTH CAROLINA	

1	02/03/21		INITIAL ISSUE	FW	DRAWN BY JW	
REV	DATE	ECR	DESCRIPTION	APPROVED BY	DATE 02/03/2021	DWG NO 760248929