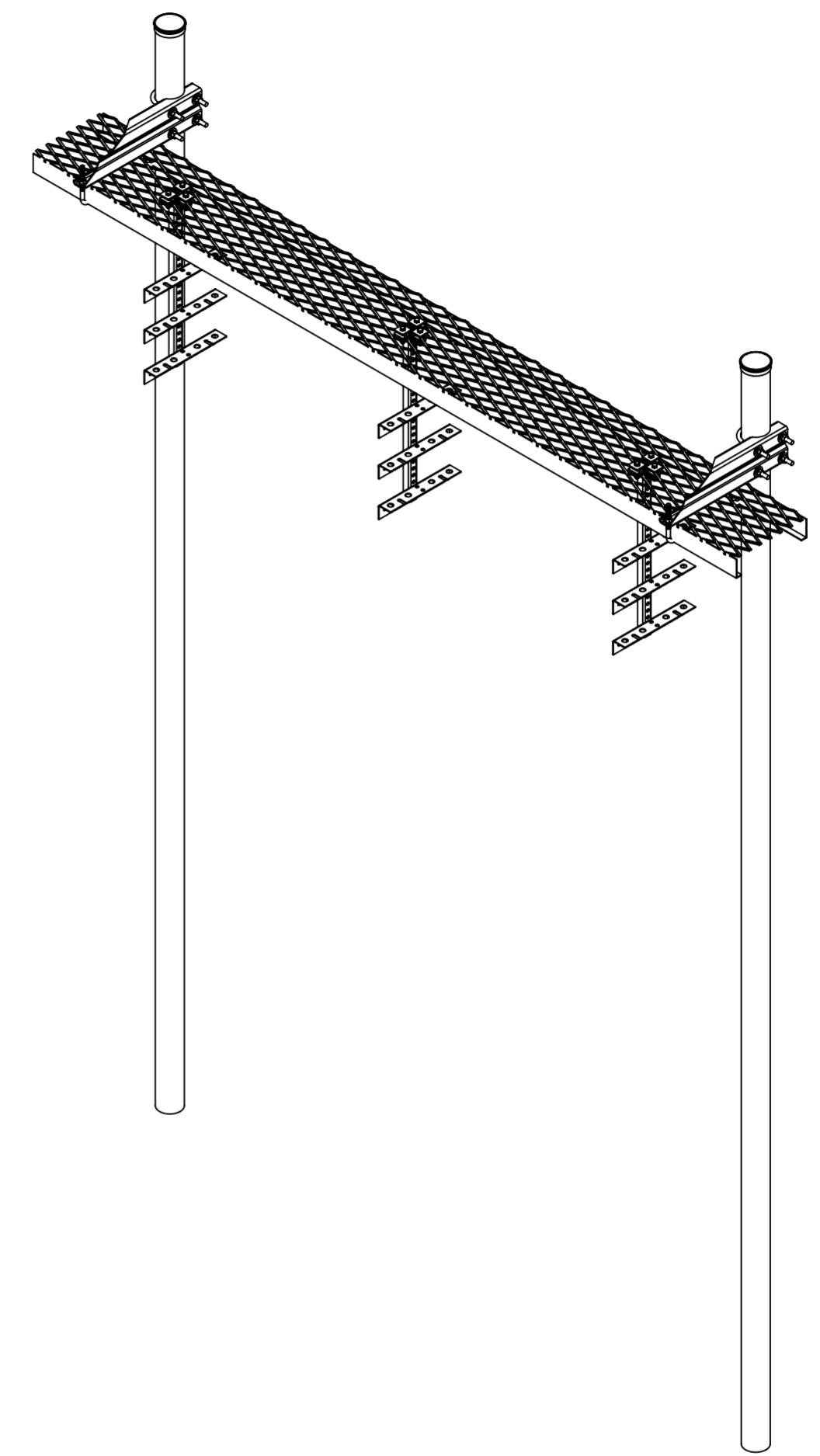
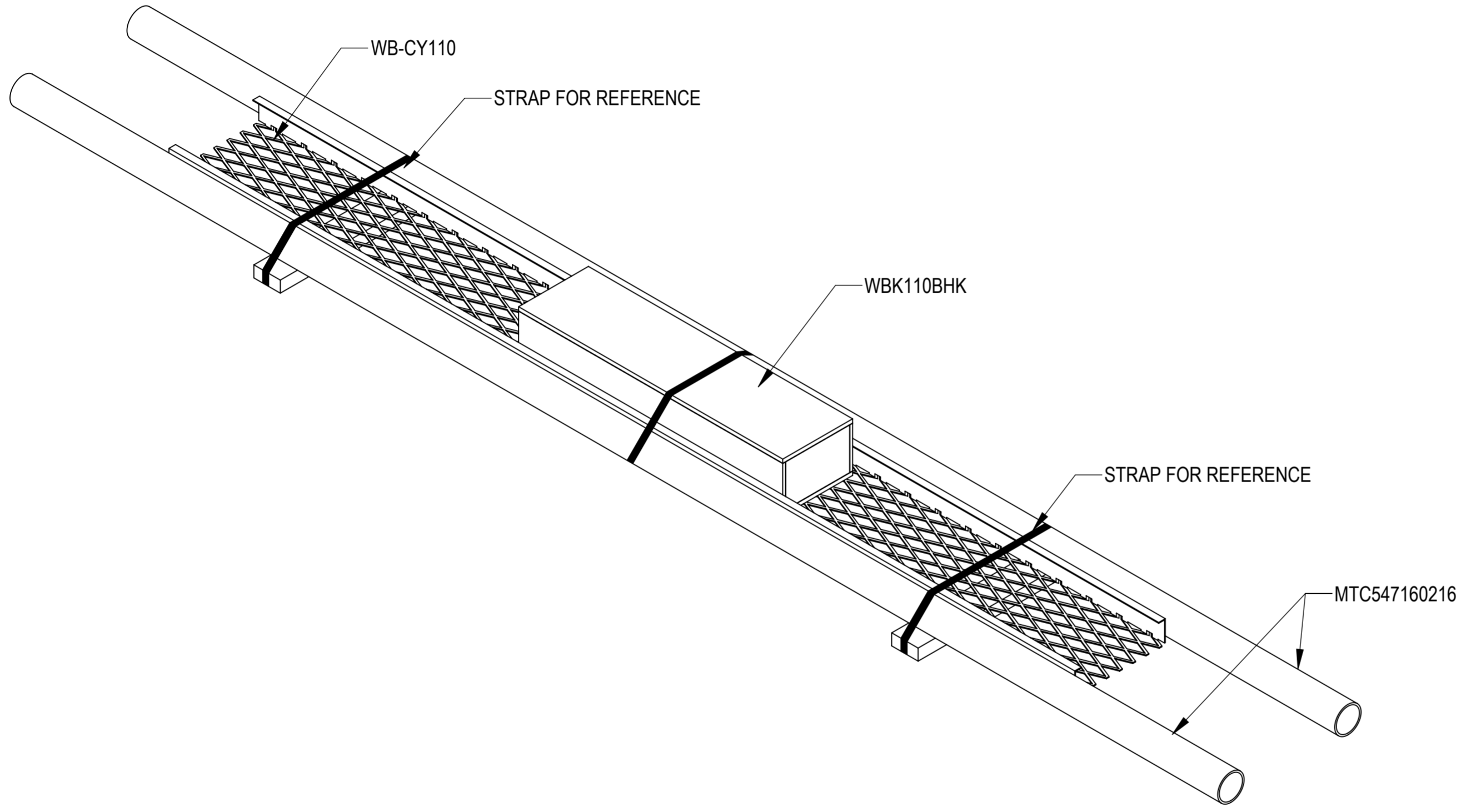


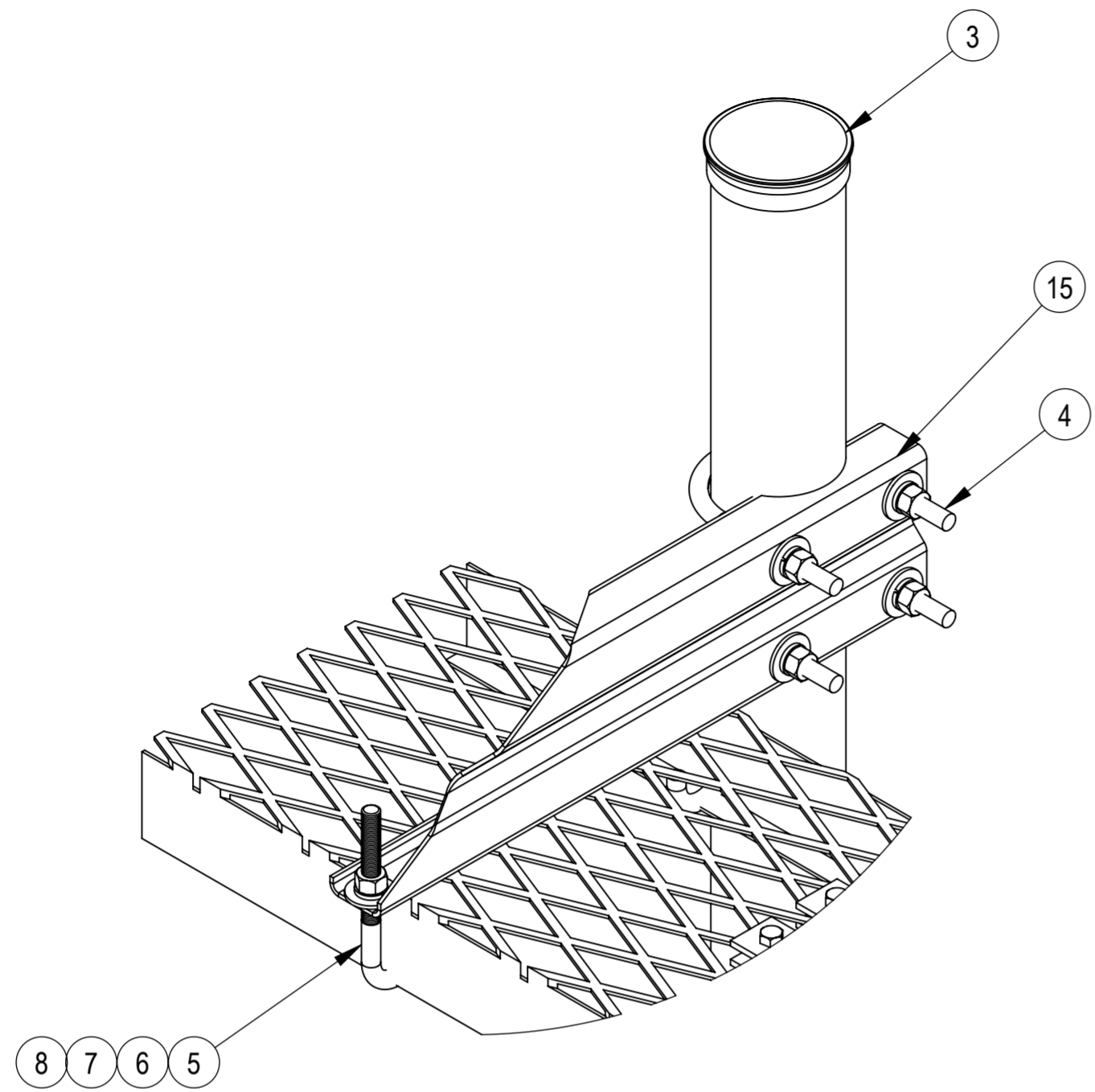
- 1.0 GENERAL NOTES
 1.1 ALL IMPERIAL DIMENSIONS ARE IN BRACKETS [X.XX]
 1.2 MARK PART WITH IDENTIFICATION NUMBER
 1.3 FOR PATENT INFO: <https://www.cs-pat.com>
 2.0 DESIGN NOTES
 3.0 MANUFACTURING/SPECIAL REQUIREMENTS
 3.1 TIGHTEN ALL BOLTS SECURING FLAT PLATES BY THE TURN-OF-NUT METHOD. TIGHTEN ALL U-BOLTS USING TURN-OF-NUT METHOD WITH ATTENTION TO LEAVE EQUAL DISTANCE AND EQUAL FORCE ON EACH LEG OF THE U-BOLT.
 4.0 TEST
 5.0 PACKAGING
 5.1 PACKAGING SHALL MEET COMMSCOPE REQUIREMENTS PER DOCUMENT IS-PL-3005
 5.2 PRINTED DOCUMENT TO BE PLACED INSIDE POLYBAG AND THEN IN SHIPPING CONTAINER
 5.3 EXTRA HARDWARE MAY BE SUPPLIED, BAGGED AND SHIPPED.

REVISIONS			
REV.	DESCRIPTION	DATE	APPROVED
A	INITIAL RELEASE	JYANG4 22AUG22	YW1047 40155031CMO
B	UPDATED BOM STRUCTURE TO WBK110BHK	YH1102 11NOV22	YW1047 40160797CMO

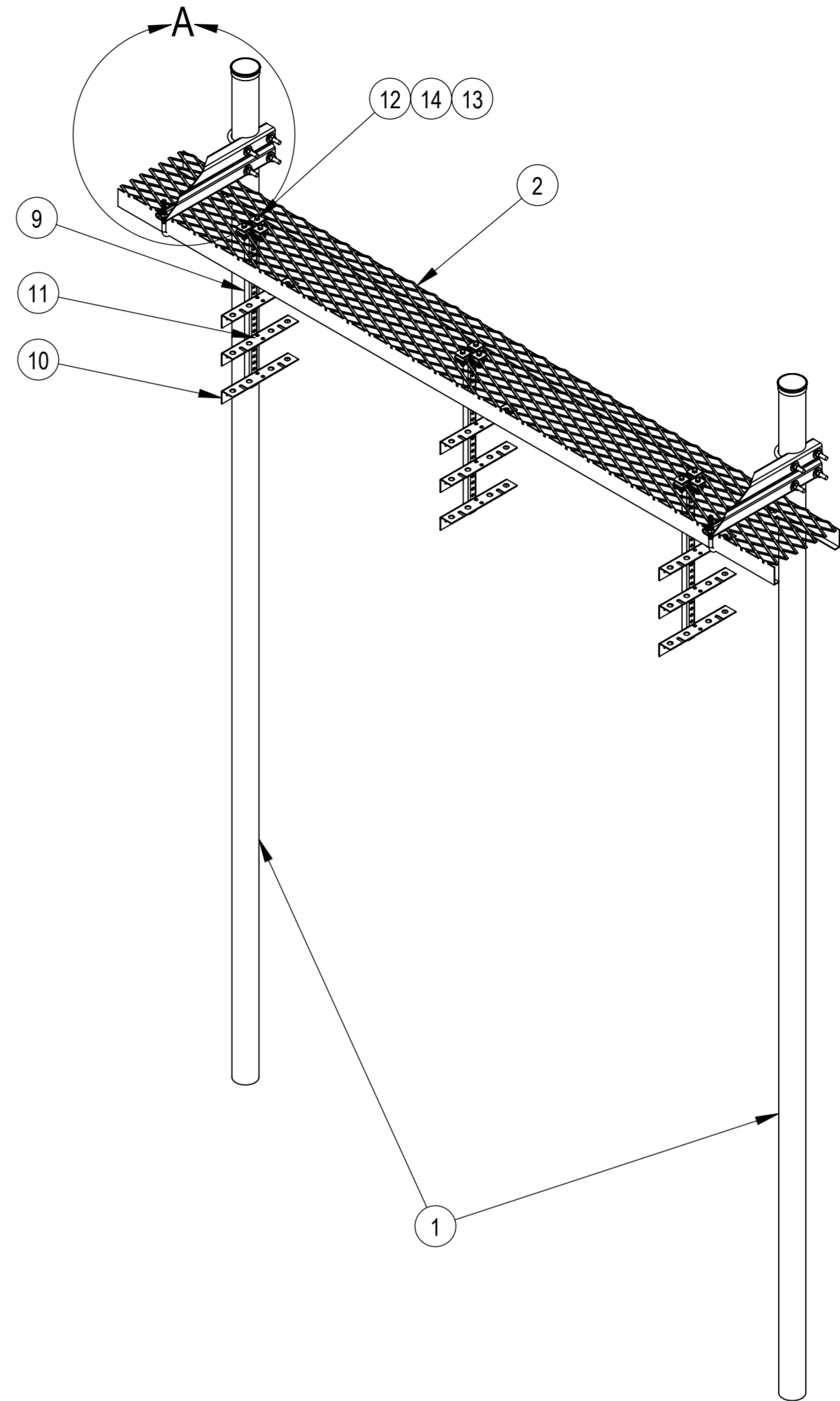


COMMSCOPE, INC. OF NORTH CAROLINA

TOLERANCES		SAP MATERIAL MASTER							
0 PLACE	X[.X] ± 6[0.25]	2 PLACE	.XX[.XXX] ± 1.50[0.06]						
1 PLACE	.X[.XX] ± 3.0[0.12]	ANGLES	± 2°						
FINISH		MATERIAL							
		WB-K110-B-HD							
UNLESS OTHERWISE SPECIFIED DIMENSIONS ARE IN MILLIMETERS INTERPRET PER ANSI Y 14.5M-1994	NAME	DATE	TITLE						
	CE JYANG4	08/22/2022	WBKIT, 13FT 4IN, SCH. 40, DIRECT BURIED						
	RW YH1102	11/11/2022							
	AD YW1047	11/16/2022	SCALE 1:4 DOCUMENT NO. WB-K110-B-HD						
	RE YMENG	11/16/2022							
	ECN 40160797CMO								
SIZE	Auth Group	INSL	MODEL						
A2			VERSION	STATUS	REVISION	VERSION	STATUS	REVISION	SHEET
			01	RE	B	01	RE	B	1 OF 7



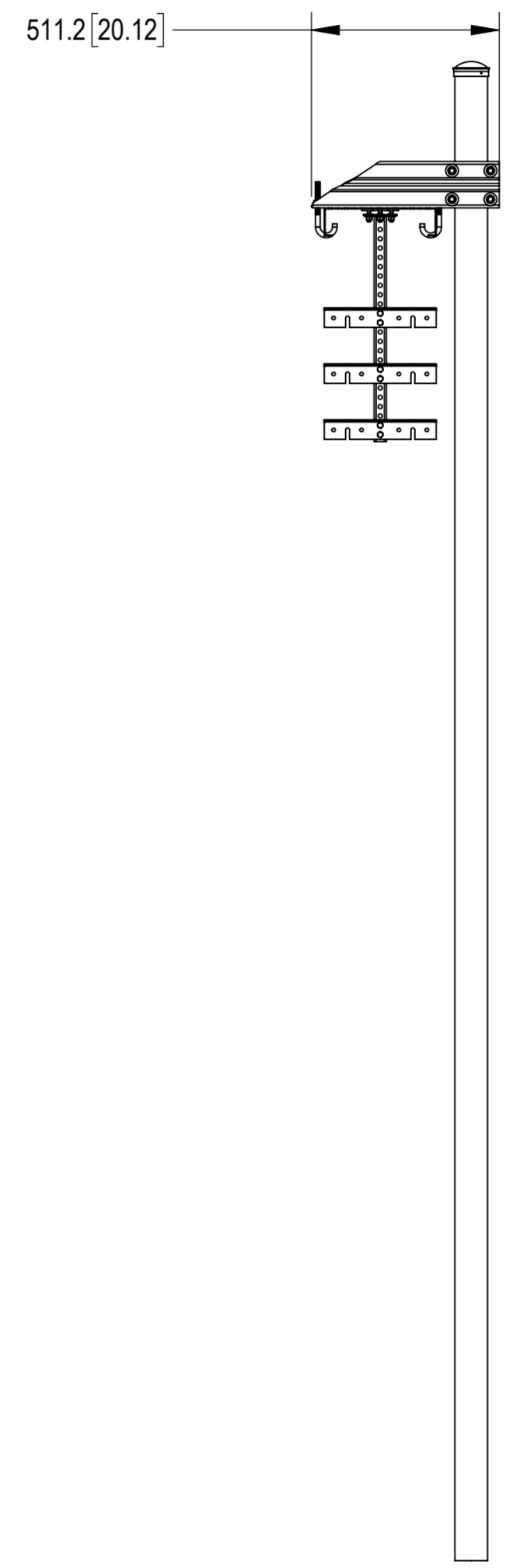
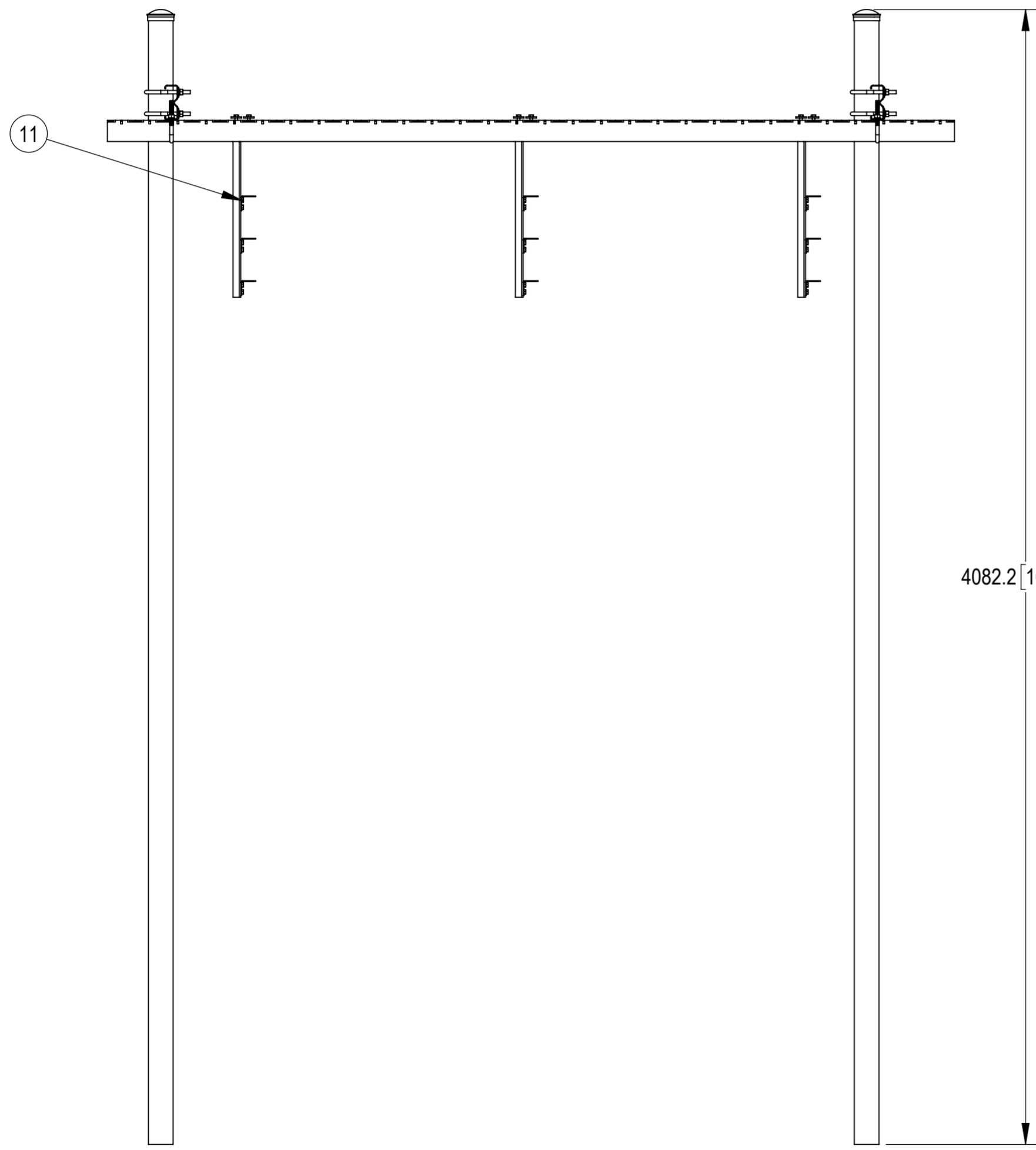
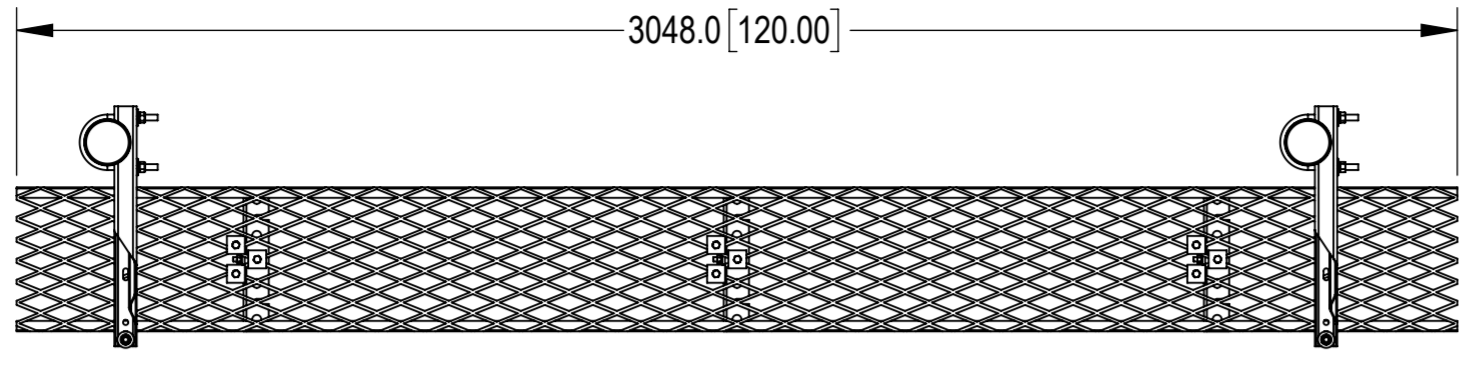
DETAIL A
SCALE 1 : 4



COMPONENT PART NUMBERS PROVIDED FOR ASSEMBLY PURPOSES;
INDIVIDUAL COMPONENTS MAY BE SHIPPED AS PARTS WITHIN AN INCLUDED KIT.

ITEM	PART NO.	DESCRIPTION	QTY.	WEIGHT	NOTE NO.
1	MTC547160216	3-1/2"OD X 160" GALV PIPE	2	101.38 LBS	
2	WB-CY110	SAFETY GRATING 12" X 10'	1	36.54 LBS	
3	PC-034	PIPE CAP 3-1/2"	2	0.66 LBS	
4	GUB-4356	1/2" X 3-5/8" X 6" GALV U-BOLT	4	0.81 LBS	
5	GWF-04	1/2" GALV FLAT WASHER	4	0.04 LBS	
6	WBJB6	1/2" J-BOLT	4	0.41 LBS	
7	GWL-04	1/2" GALV LOCK WASHER	4	0.01 LBS	
8	GN-04	1/2" GALV HEX NUT	4	0.04 LBS	
9	WBT24301	VERTICAL TRAPEZE SECTION	3	2.53 LBS	
10	WBT12302	12" HORIZONTAL TRAPEZE SECTION	9	1.46 LBS	
11	GB-03105	3/8" X 1" GALV BOLT KIT	18	0.05 LBS	
12	GB-03205	3/8" X 2" GALV BOLT KIT	9	0.08 LBS	
13	GWF-03	3/8" GALV FLAT WASHER	9	0.01 LBS	
14	MT-387	SQUARE WASHER, 1-1/2" X 1-1/2" W/ 7/16" HOLE	18	0.11 LBS	
15	WBLB12307	12" WAVEGUIDE BRIDGE SUPPORT BRACKET	2	4.72 LBS	

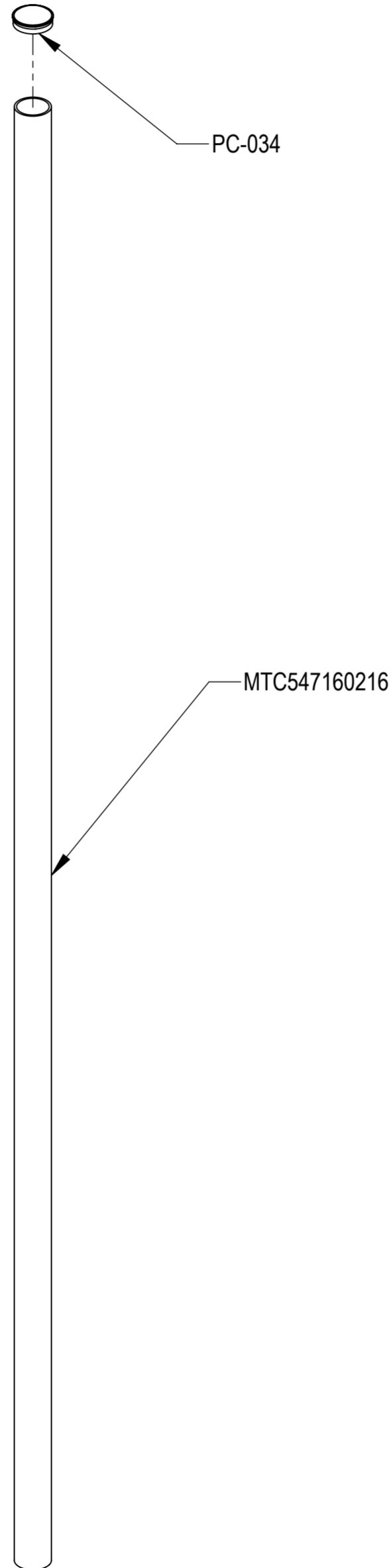
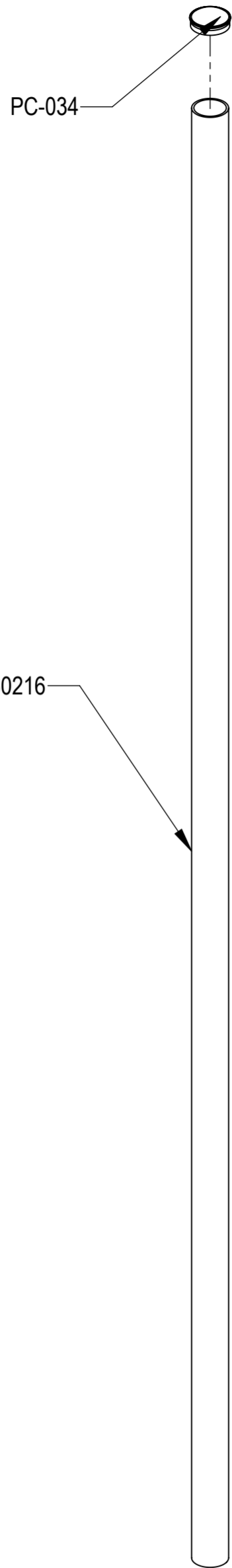
COMMSCOPE, INC. OF NORTH CAROLINA			
TITLE WBKIT, 13FT 4IN, SCH. 40, DIRECT BURIED			
SIZE A2	SCALE 1:16	DOCUMENT NO. WB-K110-B-HD	
DRAWING			SHEET
VERSION 01	STATUS RE	REVISION B	2 OF 7



COMMSCOPE, INC. OF NORTH CAROLINA				
TITLE				
WBKIT, 13FT 4IN, SCH. 40, DIRECT BURIED				
SIZE	SCALE	DOCUMENT NO.		
A2	1:16	WB-K110-B-HD		
DRAWING				SHEET
VERSION	STATUS	REVISION	3 OF 7	
01	RE	B		

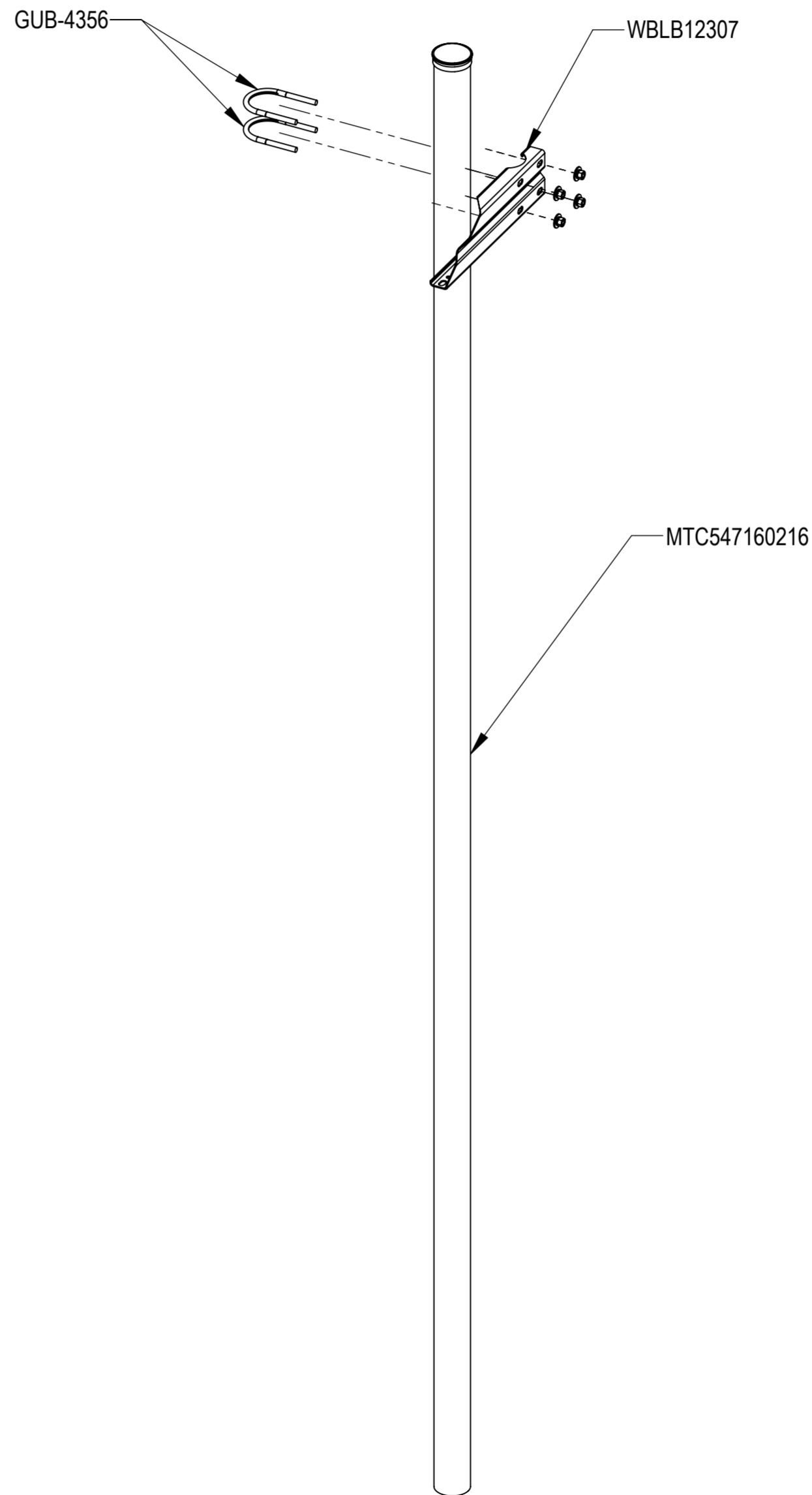
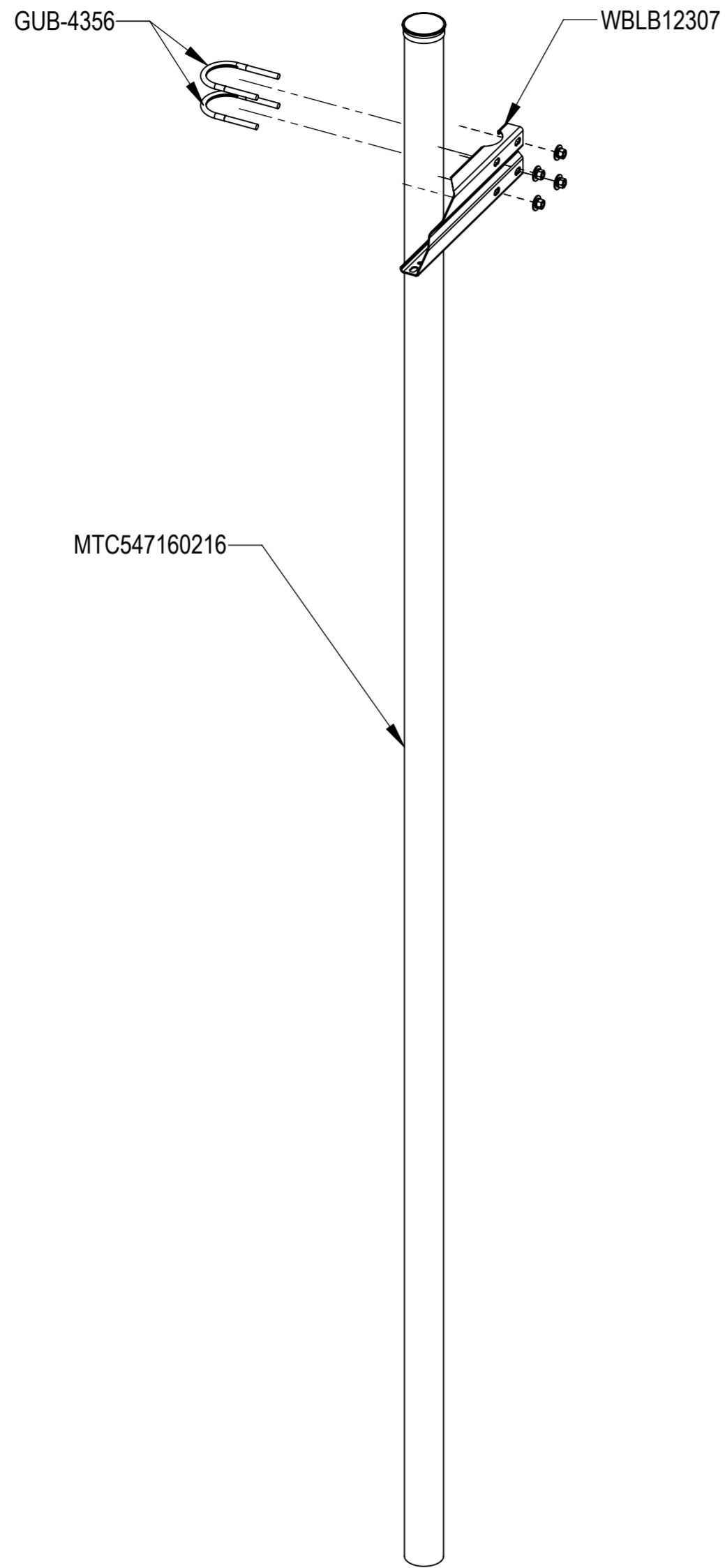
© 2022 CommScope, Inc. Confidential

STEP1: ATTACH PIPE CAP (PC-034) TO PIPE (MTC547160216)



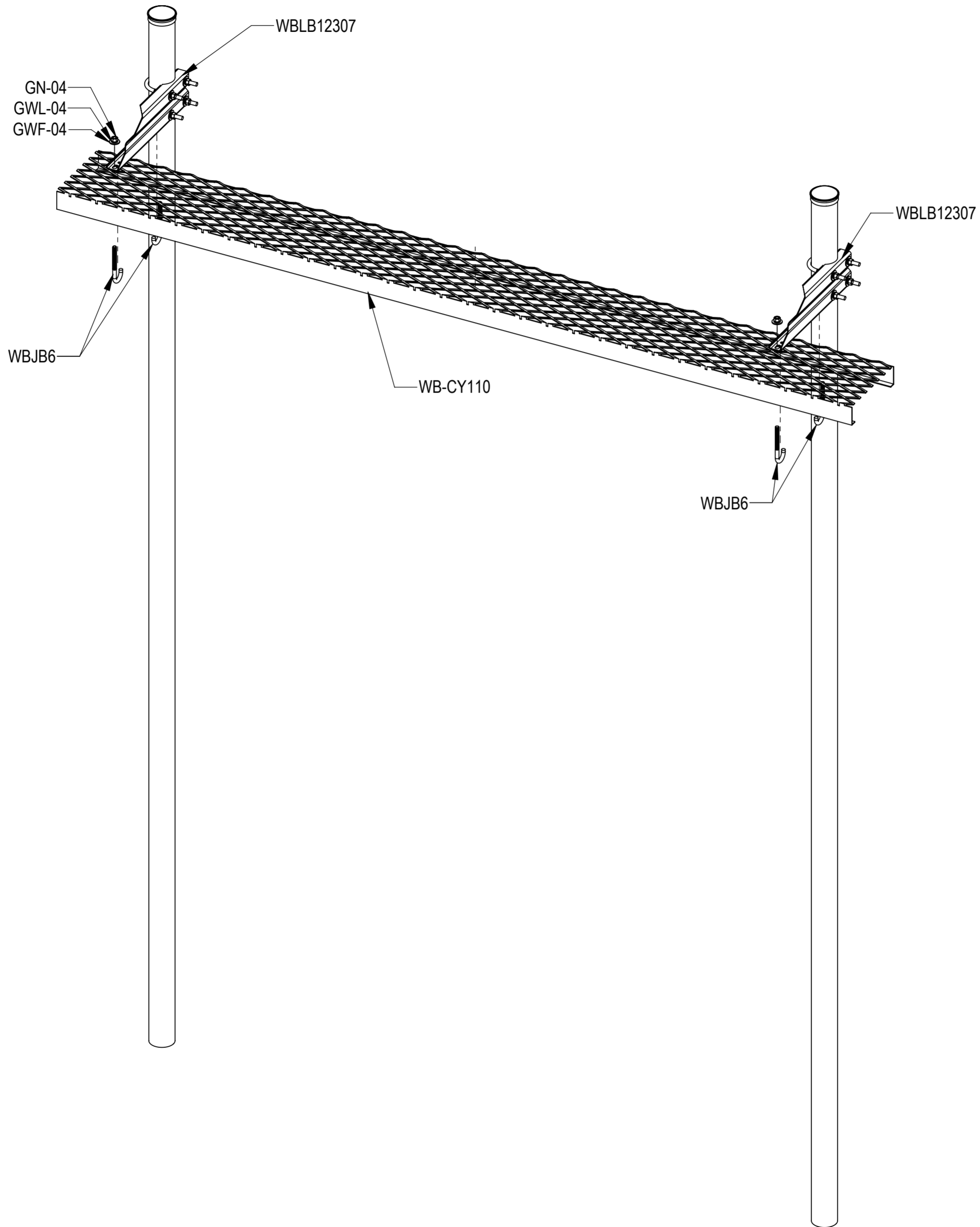
COMMSCOPE, INC. OF NORTH CAROLINA				
TITLE WBKIT, 13FT 4IN, SCH. 40, DIRECT BURIED				
SIZE A2	SCALE 1:12	DOCUMENT NO. WB-K110-B-HD		
DRAWING				SHEET
VERSION 01	STATUS RE	REVISION B	4 OF 7	

STEP2: ATTACH BRIDGE SUPPORT BRACKET (WBLB12307) TO PIPE (MTC547160216) USING U-BOLT KIT (GUB-4356)



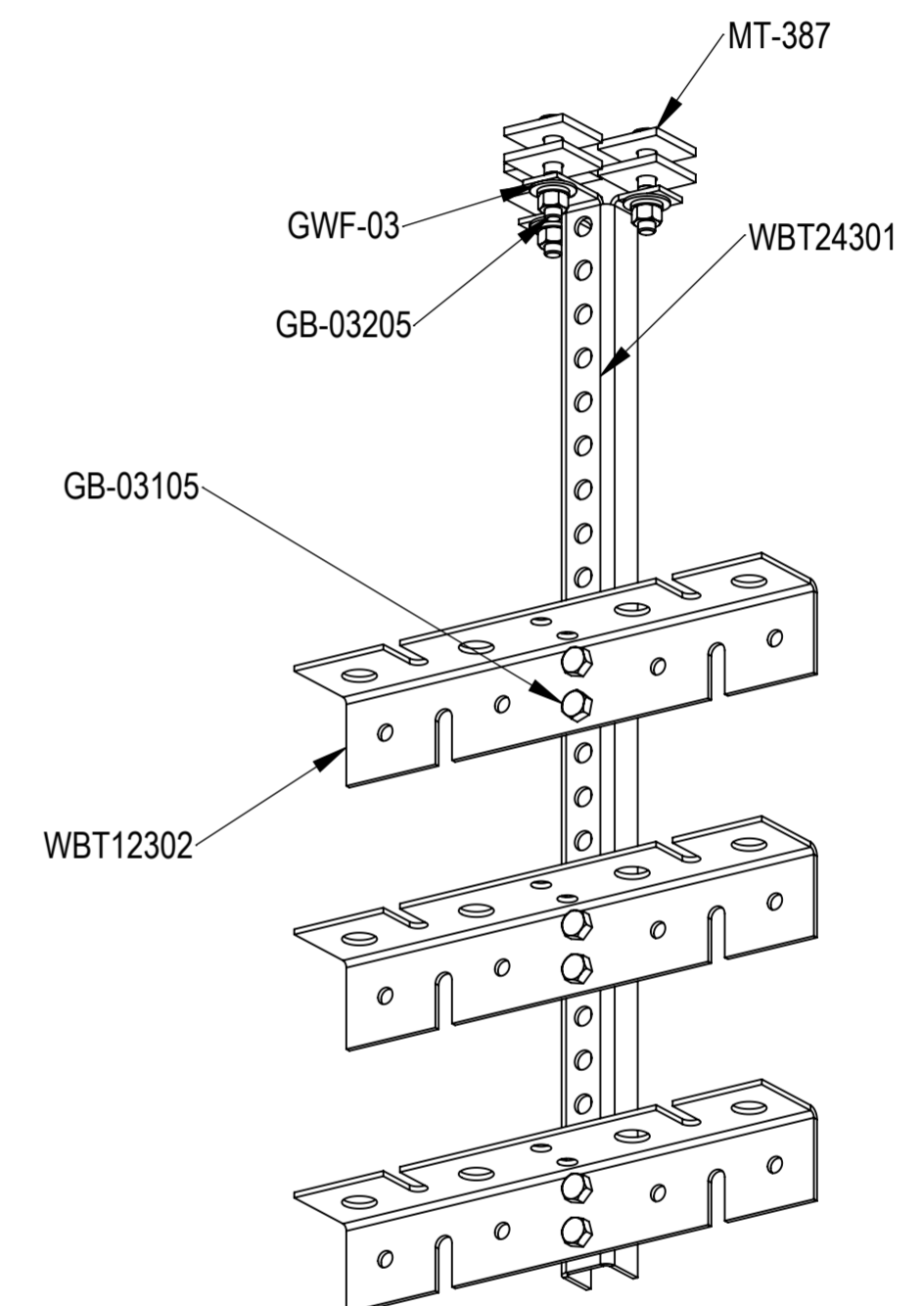
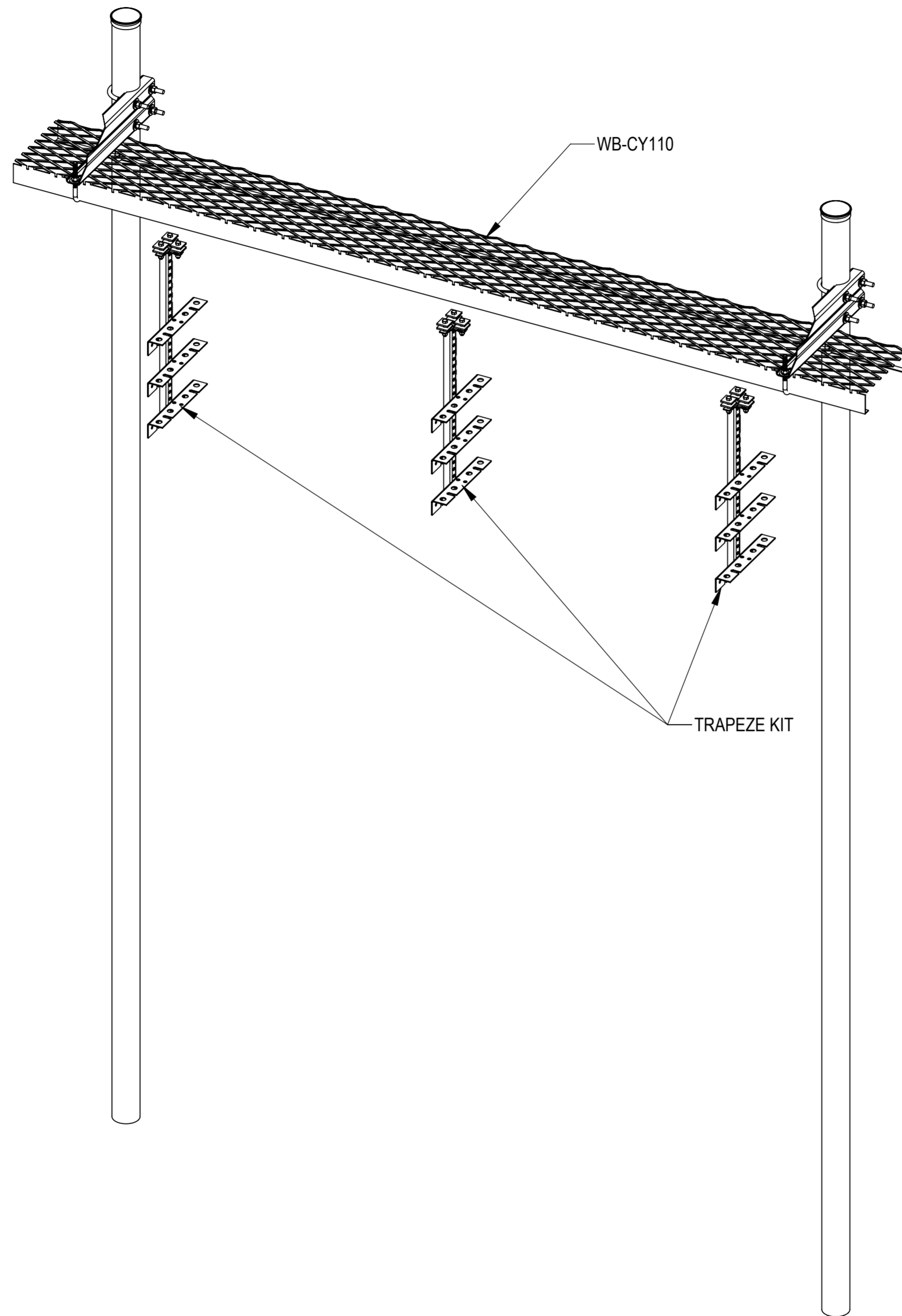
COMMSCOPE, INC. OF NORTH CAROLINA				
TITLE WBKIT, 13FT 4IN, SCH. 40, DIRECT BURIED				
SIZE A2	SCALE 1:12	DOCUMENT NO. WB-K110-B-HD		
DRAWING				SHEET
VERSION 01	STATUS RE	REVISION B	5 OF 7	

STEP3: ATTACH BRIDGE SUPPORT BRACKET (WBLB12307) TO SAFETY GRATED WAVEGUIDE BRIDGE CHANNEL (WB-CY110) USING J-BOLT (WBJB6), FLAT WASHER (GWF-04), LOCK WASHER (GWL-04) AND NUT (GN-04)



COMMSCOPE, INC. OF NORTH CAROLINA				
TITLE WBKIT, 13FT 4IN, SCH. 40, DIRECT BURIED				
SIZE A2	SCALE 1:12	DOCUMENT NO. WB-K110-B-HD		
DRAWING				SHEET
VERSION 01	STATUS RE	REVISION B	6 OF 7	

STEP4: ATTACH TRAPEZE KIT TO SAFETY GRATED WAVEGUIDE BRIDGE CHANNEL (WB-CY110)



TRAPEZE KIT

COMMSCOPE, INC. OF NORTH CAROLINA				
TITLE WBKIT, 13FT 4IN, SCH. 40, DIRECT BURIED				
SIZE A2	SCALE 1:12	DOCUMENT NO. WB-K110-B-HD		
DRAWING				SHEET
VERSION 01	STATUS RE	REVISION B	7 OF 7	