

1. GENERAL NOTES

- 1.1 ALL METRIC DIMENSIONS ARE IN BRACKETS [X.X]
- 1.2 MATCH DRILL PLATE WITH .12 DRILL X.X

2. DESIGN NOTES

3. MANUFACTURING/SPECIAL REQUIREMENTS

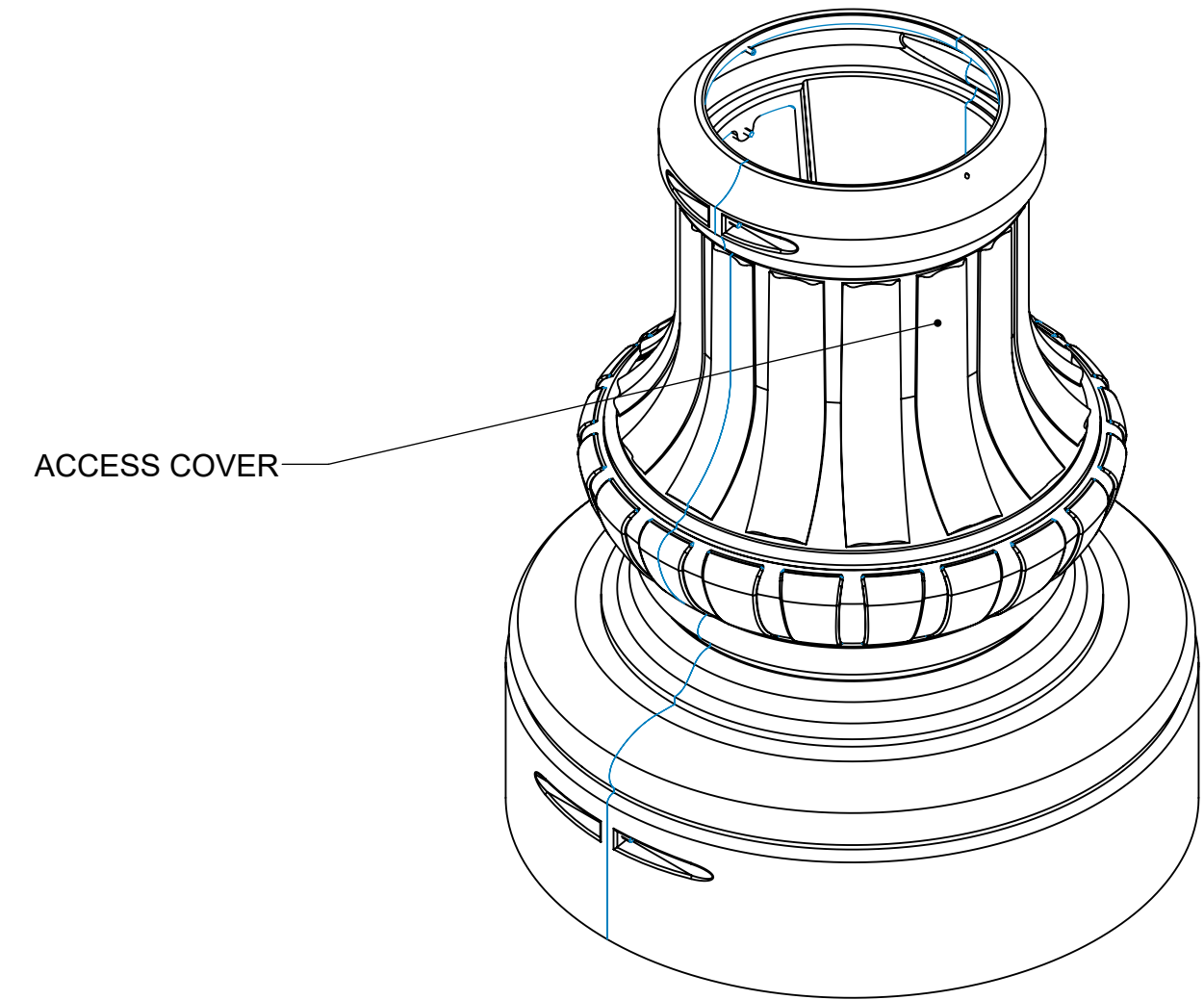
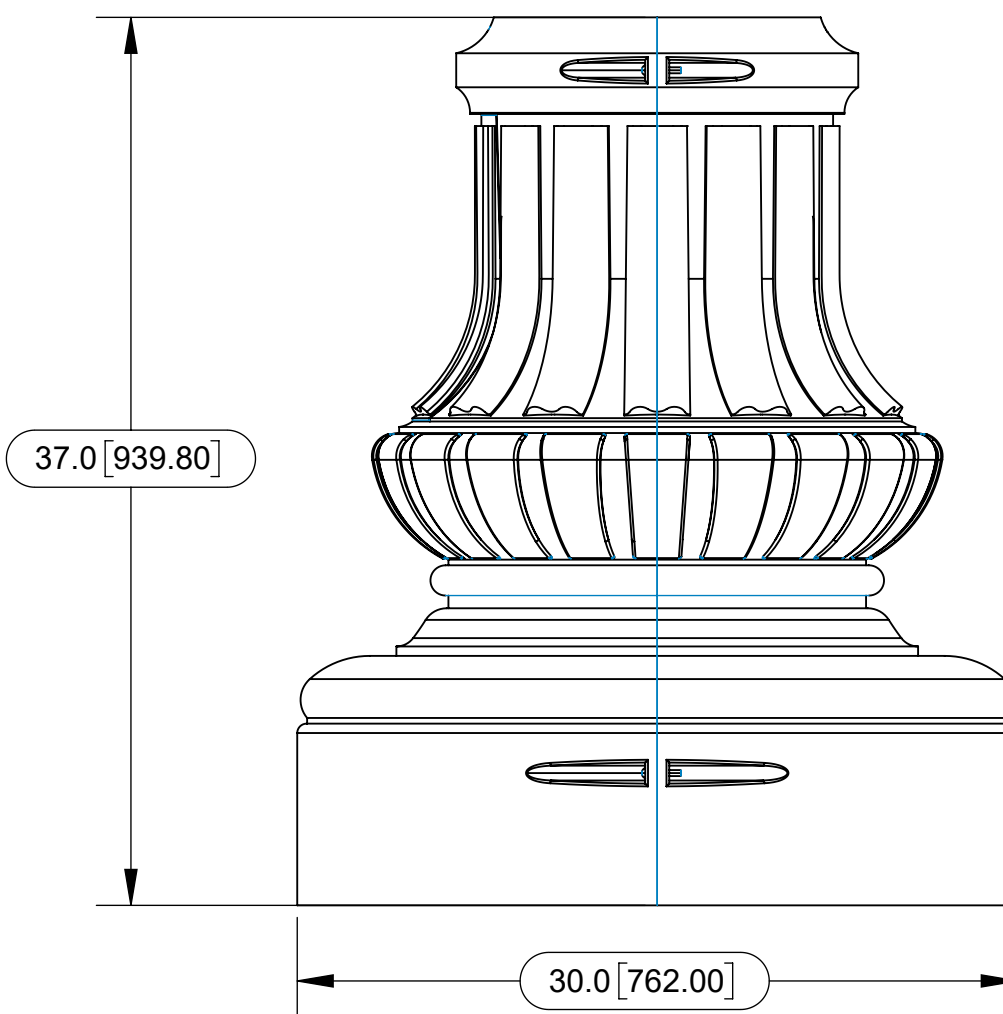
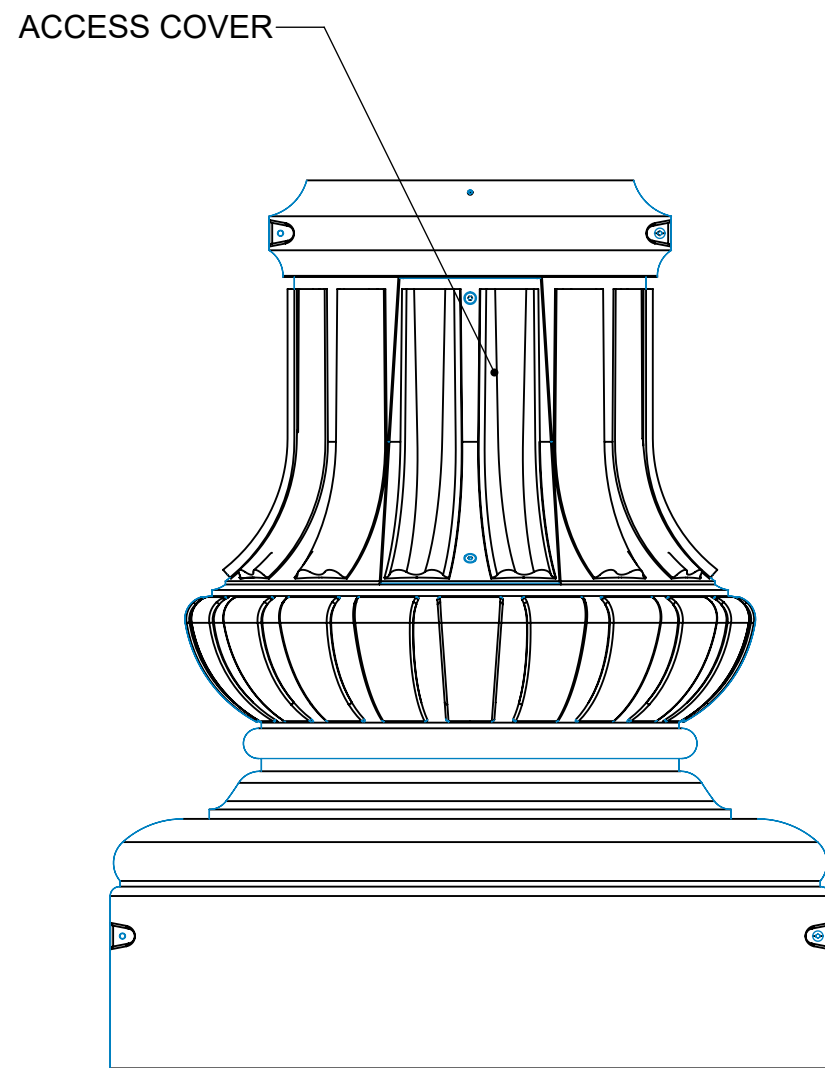
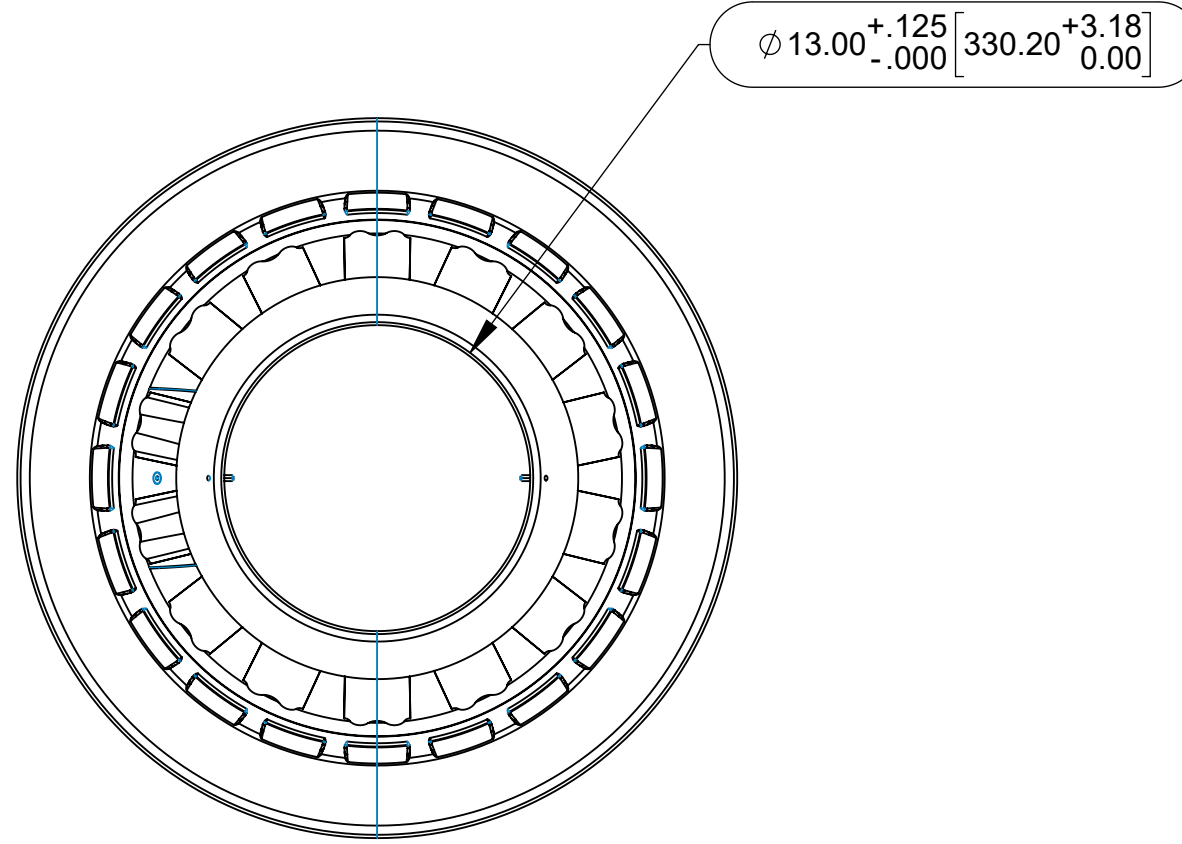
- 3.1 NO VENDOR LOGOS OR MARKINGS SHOULD BE VISIBLE WHEN INSTALLED
- 3.2 BREAK ALL SHARP EDGES AND DEBURR PART FOR SAFE HANDLING
- 3.3 POWDER COAT EXTERIOR SURFACE PER COMMSCOPE'S PRODUCT COLOR/FINISH SPECIFICATION MTM1004 PER SUFFIX -XX. DO NOT POWDER COAT INTERIOR OF ASSEMBLY, OVERSPRAY IS PERMISSIBLE. INSPECT FINISH OF ASSEMBLY. TO COMMSCOPE'S MTM1004-0001, POWDER COATING INSPECTION ACCEPTANCE/REJECTION AS SURFACE CLASS A.

4. TESTING

5. PACKAGING

- 5.1 TO BE RECEIVED ASSEMBLED WITH ALL HARDWARE INSTALLED
- 5.2 PACKAGING SHALL MEET COMMSCOPE REQUIRMENTS PER DOCUMENT IS-PL-3005

REVISIONS				
REV.	ECN	DESCRIPTION	BY	DATE
A	8000041348	INITIAL RELEASE	SF1043	6/25/2020
B	8000043782	UPDATE NOTES AND MIN/MAX HEIGHT	NSUN	11/10/2020
C	13042PC	ADD CTQ FOR DIMS . ϕ 13 WAS 12 7/8 IN ZONE 2D.	HW1041	6/8/2021
D	40142868CMO	REPLACE NOTES AND DRAWING , CHANGE TOLERANCES	LL1090	2/17/2022



COMMSCOPE, INC. OF NORTH CAROLINA										
TOLERANCES					SAP MATERIAL MASTER					
1 PLACE .X ± 0.2		3 PLACE .XXX ± 0.063			MTM1118-0010-XX					
2 PLACE .XX ± 0.12		ANGLES ± 0.5°			MATERIAL CAST ALUMINUM ASTM					
FINISH NONE					TITLE WASHINGTON BASE COVER 12.75" SHAFT					
UNLESS OTHERWISE SPECIFIED DIMENSIONS ARE IN INCHES INTERPRET PER ANSI Y 14.5M-1994					NAME		DATE		TITLE	
					CE	SF1043	06/25/2020		MTM1118-0010-XX	
RW	LMCDOWEL	02/21/2022								
RV										
AD	RW1043	02/21/2022								
RE	LMCDOWEL	02/21/2022		SCALE		DOCUMENT NO.				
ECN 40142868CMO					1:8		MTM1118-0010-XX			
DENSITY 0.1 lbs/in ³			MASS 124.13 lbs			VOLUME 1337.5 in ³			SURFACE AREA 6413.52 in ²	
HEIGHT 37			LENGTH 30			WIDTH 30				
SIZE			WORK AREA			INSL			MODEL	
C									DRAWING	
VERSION 01			STATUS RE			REVISION B			VERSION 03	
STATUS RE			REVISION B			VERSION 03			STATUS RE	
REVISION D									SHEET 1 OF 1	

DENSITY	0.1	lbs/in ³
MASS	124.13	lbs
VOLUME	1337.5	in ³
SURFACE AREA	6413.52	in ²
HEIGHT	37	
LENGTH	30	
WIDTH	30	