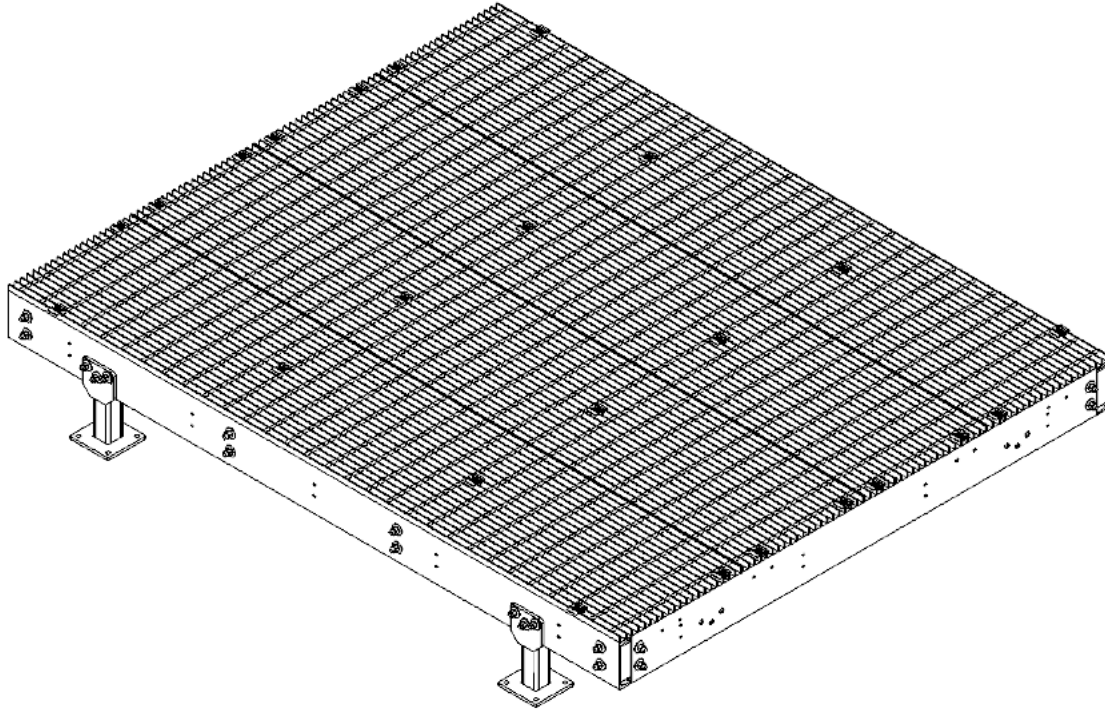


INSTALLATION INSTRUCTION



UNPACKING INSTRUCTIONS & SAFETY INFORMATION

- Cautiously remove contents and layout parts on a protective surface to avoid damage
- Check supplied parts list against contents. Do not use damaged or defective parts.
- Read instructions before installation.
- Use proper safety equipment and protocol during installation
- Please contact CommScope if you don't understand provided directions or any doubts about the safety of the installation

For any questions, please contact CommScope.

Supplied Parts List

ITEM NO.	PART NUMBER	DESCRIPTION	QTY.
1	EQP0810-1100	SIDE CHANNEL, EQUIPMENT PLATFORM	4
2	EQP0810-1200	SIDE CHANNEL, EQUIPMENT PLATFORM	2
3	EQP0810-1300	CHANNEL,SUPPORT CABINET	2
4	EQP0810-1400	WELDMENT, ANGLE STEEL REINFORCEMENT	8
5	MTC7902081001	24" X 120" BAR GRATING	4
6	MTC390324	BAR GRATING CLIP	26
7	TS1220	12-24 X 2" SELF DRILLING SCREW	26
8	MTC3823A01	WELDMENT, IPDS FIXED FOOT	4
9	GB-05205	5/8" X 2" GALV BOLT KIT	44
10	GB-03105	3/8" X 1" GALV BOLT KIT	8
11	GWF-05	5/8" GALV FLAT WASHER, 1.7OD	88

NOTES:

1.0 General

- 1.1 All metric dimensions are in brackets
- 1.2 Parts marked with identification number
- 1.3 For patent info: <https://www.cs-pat.com>

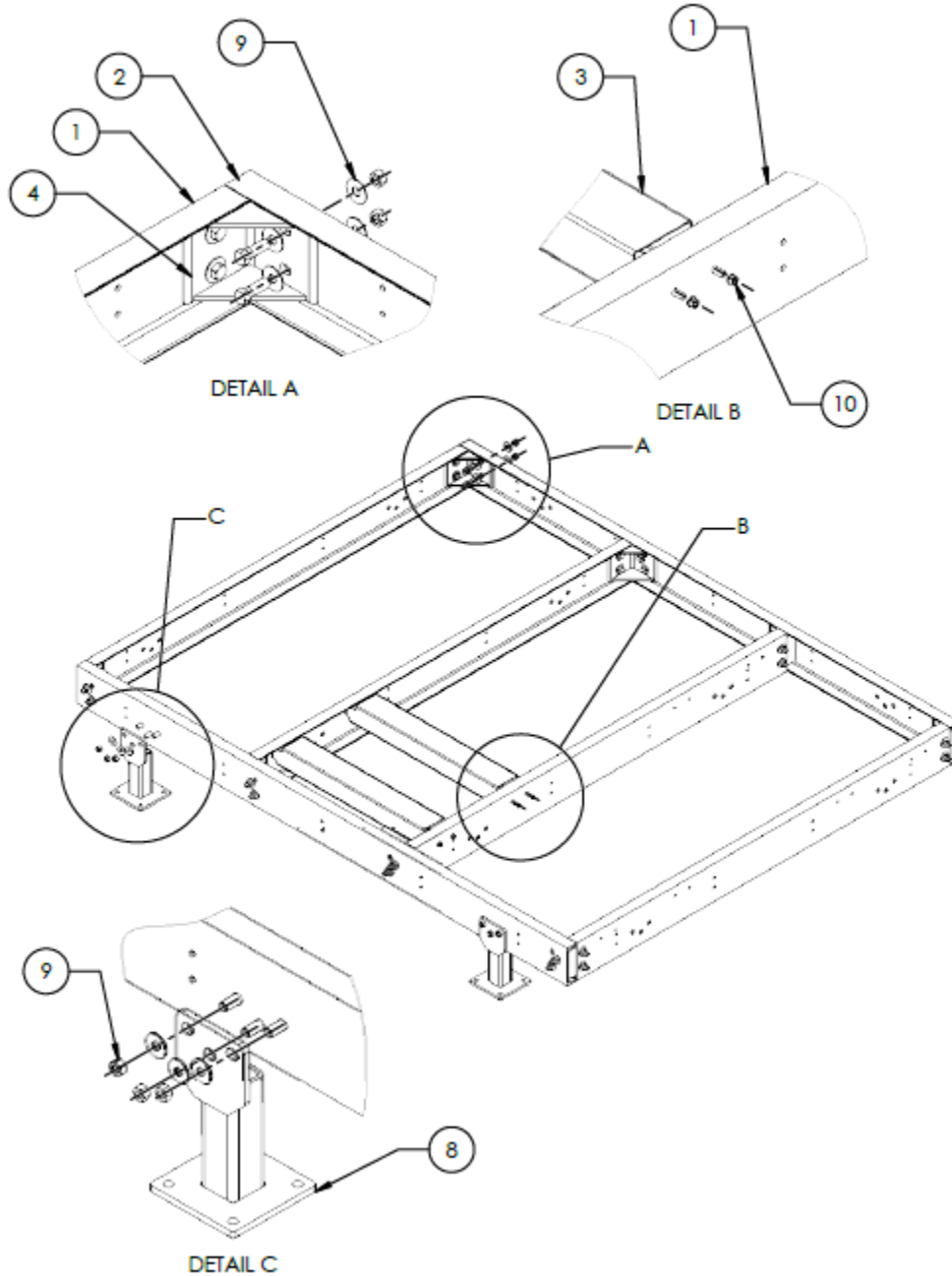
2.0 Manufacturing/Special Requirements

- 2.1 Tighten all bolts securing flat plates by the turn-of-nut method. Tighten all U-Bolts using turn-of-nut method with attention to leave equal distance and equal force on each leg of the U-Bolt.

3.0 Packaging

- 3.1 Packaging shall meet Commscope requirements per document IS-PL-3005
- 3.2 Extra hardware may be supplied bagged and shipped.

STEP BY STEP ASSEMBLING INSTRUCTION

STEP 1: ASSEMBLE FRAME

STEP 2: ASSEMBLE GRATE

