

# MC-K14S-6-96



Monopole Co-location T-Frame Kit, 10 in to 30 in OD, 14 ft face, includes pipe

## OBSOLETE

This product was discontinued on: August 18, 2022

### Replaced By:

MC-K14M-6-96

Monopole Co-location T-Frame kit, 12 in to 50 in OD, 14 ft 6 in face, includes pipe

## Product Classification

**Product Type** Monopole T-frame kit

## General Specifications

**Mounting** Monopole, 254–762 mm (10–30 in) OD

**Pipe, quantity** 6

**Sectors, quantity** 3

## Dimensions

**Height** 2,438.4 mm | 96 in

**Face Width** 4.42 m | 14.5 ft

**Width** 4,419.6 mm | 174 in

**Length** 914.4 mm | 36 in

**Pipe Length** 2,438.4 mm | 96 in

**Mounting Diameter, maximum** 762 mm | 30 in

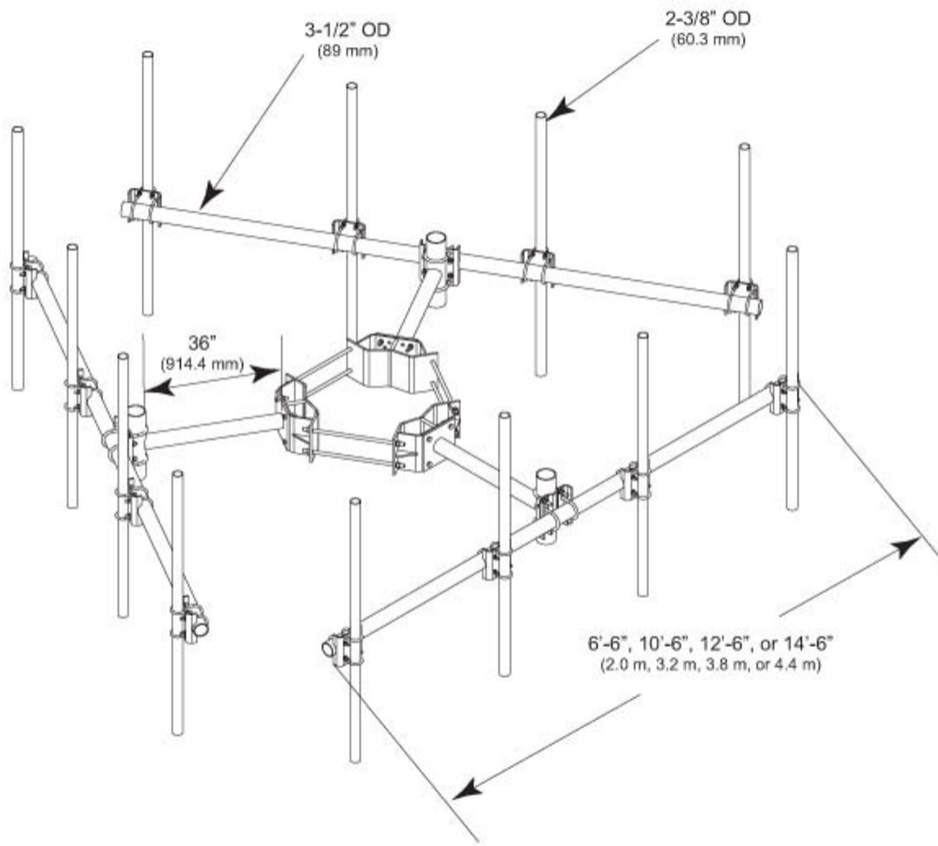
**Mounting Diameter, minimum** 254 mm | 10 in

**Pipe Outer Diameter** 60.96 mm | 2.4 in

**Stand-off Distance** 914.4 mm | 36 in

# MC-K14S-6-96

## Outline Drawing



## Material Specifications

**Material Type** Hot dip galvanized steel

## Mechanical Specifications

**Wind Rating** 120 mph (BWS) at 150 ft AGL | 140 mph (3-second gust) at 150 ft AGL using Exposure D per FBC

**Wind Rating Criteria** Four 72 in x 8 in panel antennas per sector

**Wind Rating Test Method** TIA/EIA-222

## Packaging and Weights

**Included** Cellular pipe frames | Pipe mounts | Ring mount | Stand-off arms

**Packaging quantity** 1

**Weight, net** 488.383 kg | 1,076.7 lb

# MC-K14S-6-96

---

## Regulatory Compliance/Certifications

### Agency

ISO 9001:2015

### Classification

Designed, manufactured and/or distributed under this quality management system

## Included Products

- |           |   |  |
|-----------|---|--|
| MC-K14S-B | - | Monopole Co-location T-Frame Kit, 10 in to 30 in OD, 14 ft face, pipe ordered separately |
| MT-219-H  | - | Pipe Mount Kit - 2-3/8" TO 3-1/2" PIPE - pipe not included                               |
| MT-651-96 | - | Plain End Pipe, 2-3/8 in OD x 96 in .120" A500C 46Ksi                                    |

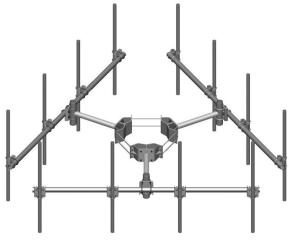
## \* Footnotes

### Wind Rating

BWS—Base Wind Speed; FBC—Florida Building Code

# MC-K14S-B

---



Monopole Co-location T-Frame Kit, 10 in to 30 in OD, 14 ft face, pipe ordered separately

## Product Classification

**Product Type** Monopole T-frame kit

## General Specifications

**Mounting** Monopole, 254–762 mm (10–30 in) OD

**Pipe, quantity** 0

**Sectors, quantity** 3

## Dimensions

**Height** 254 mm | 10 in

**Face Width** 4.42 m | 14.5 ft

**Width** 4,419.6 mm | 174 in

**Length** 914.4 mm | 36 in

**Mounting Diameter, maximum** 762 mm | 30 in

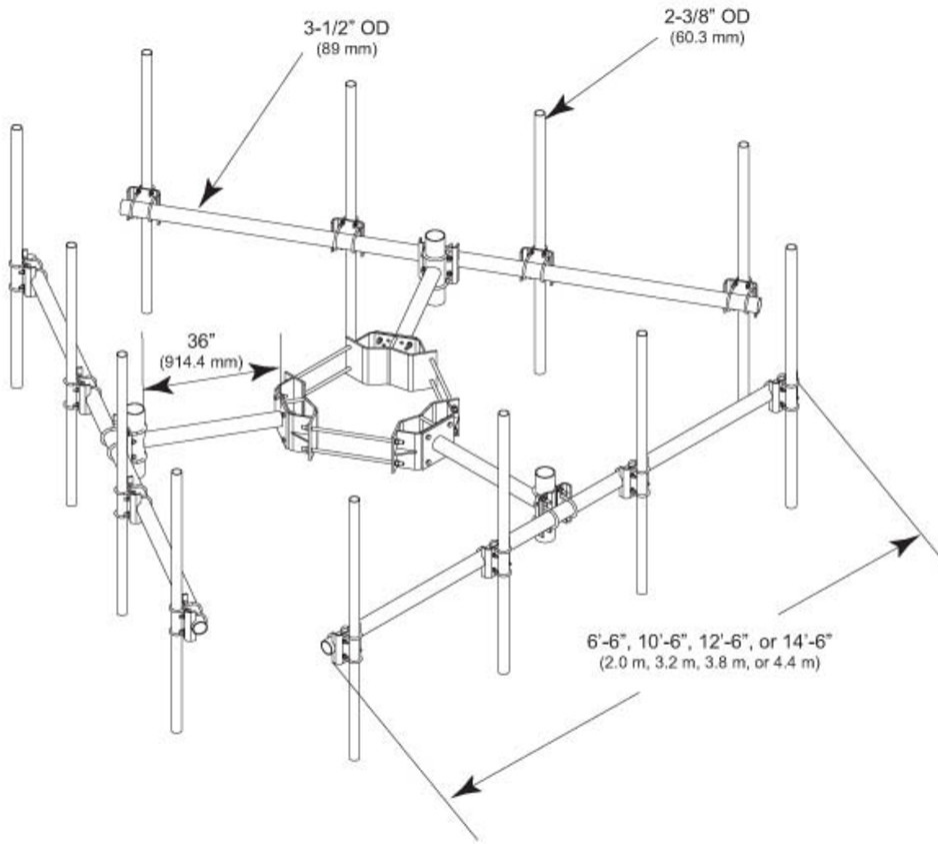
**Mounting Diameter, minimum** 254 mm | 10 in

**Pipe Outer Diameter** 60.96 mm | 2.4 in

**Stand-off Distance** 914.4 mm | 36 in

# MC-K14S-B

## Outline Drawing



## Material Specifications

**Material Type** Hot dip galvanized steel

## Mechanical Specifications

**Wind Rating** 120 mph (BWS) at 150 ft AGL | 140 mph (3-second gust) at 150 ft AGL using Exposure D per FBC

**Wind Rating Criteria** Four 72 in x 8 in panel antennas per sector

**Wind Rating Test Method** TIA/EIA-222

## Packaging and Weights

**Included** Cellular pipe frames | Ring mount | Stand-off arms

**Packaging quantity** 1

**Weight, net** 377.389 kg | 832 lb

# MC-K14S-B

---

## Regulatory Compliance/Certifications

**Agency**

ISO 9001:2015

**Classification**

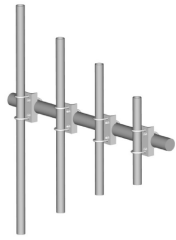
Designed, manufactured and/or distributed under this quality management system

### \* Footnotes

**Wind Rating**

BWS—Base Wind Speed; FBC—Florida Building Code

# MT-219-H



Pipe Mount Kit - 2-3/8" TO 3-1/2" PIPE - pipe not included

## Product Classification

**Product Type** Pipe mount kit

## General Specifications

**Mounting** Pipe, 60.3 mm (2-3/8 in ) OD | Pipe, 88.9 mm (3-1/2 in) OD

## Dimensions

**Height** 254 mm | 10 in

**Width** 127 mm | 5 in

**Length** 127 mm | 5 in

**Mounting Diameter, maximum** 88.9 mm | 3.5 in

**Mounting Diameter, minimum** 60.325 mm | 2.375 in

## Material Specifications

**Material Type** Hot dip galvanized steel

## Packaging and Weights

**Included** Crossover bracket | U-bolts

**Packaging quantity** 1

**Weight, net** 4.9 kg | 10.803 lb

## Regulatory Compliance/Certifications

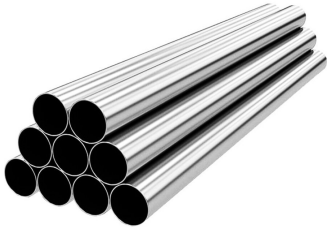
Agency	Classification
CHINA-ROHS	Below maximum concentration value
ISO 9001:2015	Designed, manufactured and/or distributed under this quality management system
REACH-SVHC	Compliant as per SVHC revision on <a href="http://www.commscope.com/ProductCompliance">www.commscope.com/ProductCompliance</a>
ROHS	Compliant
UK-ROHS	Compliant





# MT-651-96

---



Plain End Pipe, 2-3/8 in OD x 96 in .120" A500C 46Ksi

## Product Classification

**Product Type** Plain end pipe

## General Specifications

**Pipe, quantity** 1

## Dimensions

**Height** 60.96 mm | 2.4 in  
**Width** 60.96 mm | 2.4 in  
**Length** 2,438.4 mm | 96 in  
**Pipe Length** 2,438.4 mm | 96 in  
**Pipe Outer Diameter** 60.96 mm | 2.4 in  
**Material Thickness** 3.048 mm | 0.12 in

## Material Specifications

**Material Type** A500 | Hot dip galvanized steel  
**Material Grade** C  
**Material Strength** 46 KSI

## Packaging and Weights

**Included** Pipe  
**Packaging quantity** 1  
**Weight, net** 10 kg | 22.046 lb

## Regulatory Compliance/Certifications

Agency	Classification
CHINA-ROHS	Above maximum concentration value
ISO 9001:2015	Designed, manufactured and/or distributed under this quality management system

# MT-651-96

---

ROHS	Compliant/Exempted
UK-ROHS	Compliant/Exempted

