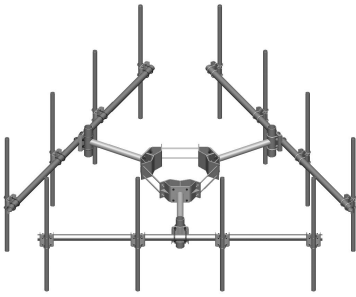


MC-K14L-B



Monopole Co-location T-Frame Kit, 30 in to 60 in OD, 14 ft face, pipe ordered separately

OBSOLETE

This product was discontinued on: August 18, 2022

Replaced By:

MC-K14M-B

Monopole Co-location T-Frame kit, 12 in to 50 in OD, 14 ft 6 in face, pipe ordered separately

Product Classification

Product Type Monopole T-frame kit

General Specifications

Mounting Monopole, 762–1524 mm (30–60 in) OD

Pipe, quantity 0

Sectors, quantity 3

Dimensions

Height 254 mm | 10 in

Face Width 4.42 m | 14.5 ft

Width 4,419.6 mm | 174 in

Length 914.4 mm | 36 in

Mounting Diameter, maximum 1524 mm | 60 in

Mounting Diameter, minimum 762 mm | 30 in

Pipe Outer Diameter 60.96 mm | 2.4 in

Stand-off Distance 914.4 mm | 36 in

MC-K14L-B

Outline Drawing



Material Specifications

Material Type Hot dip galvanized steel

Mechanical Specifications

Wind Rating 120 mph (BWS) at 150 ft AGL | 140 mph (3-second gust) at 150 ft AGL using Exposure D per FBC

Wind Rating Criteria Four 72 in x 8 in panel antennas per sector

Wind Rating Test Method TIA/EIA-222

Environmental Specifications

EPA with 1/2 in (12 mm) radial ice 1.514 m² | 16.3 ft²

EPA without ice 1.189 m² | 12.8 ft²

MC-K14L-B

Packaging and Weights

Included	Cellular pipe frames Ring mount Stand-off arms
Packaging quantity	1
Weight, net	431.684 kg 951.7 lb

Regulatory Compliance/Certifications

Agency	Classification
ISO 9001:2015	Designed, manufactured and/or distributed under this quality management system



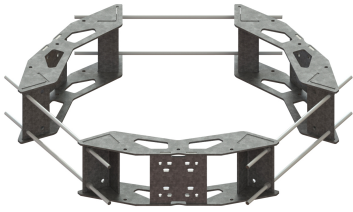
Included Products

- MC-RM3060-3 – Universal Ring Mount, 30 in to 60 in OD
- MT-197 – Single Support Arm, 36 in, includes pipe
- MT-216-14NS – Cellular Pipe Frame, 14 ft face

* Footnotes

Wind Rating	BWS—Base Wind Speed; FBC—Florida Building Code
EPA with 1/2 in (12 mm) radial ice	EPA—Effective Projected Area
EPA without ice	EPA—Effective Projected Area

MC-RM3060-3



Universal Ring Mount, 30 in to 60 in OD

Product Classification

Product Type Universal ring mount

General Specifications

Mounting Monopole, 762–1524 mm (30–60 in) OD

Pipe, quantity 0

Sectors, quantity 3

Dimensions

Height 254 mm | 10 in

Length 152.4 mm | 6 in

Mounting Diameter, maximum 1524 mm | 60 in

Mounting Diameter, minimum 762 mm | 30 in

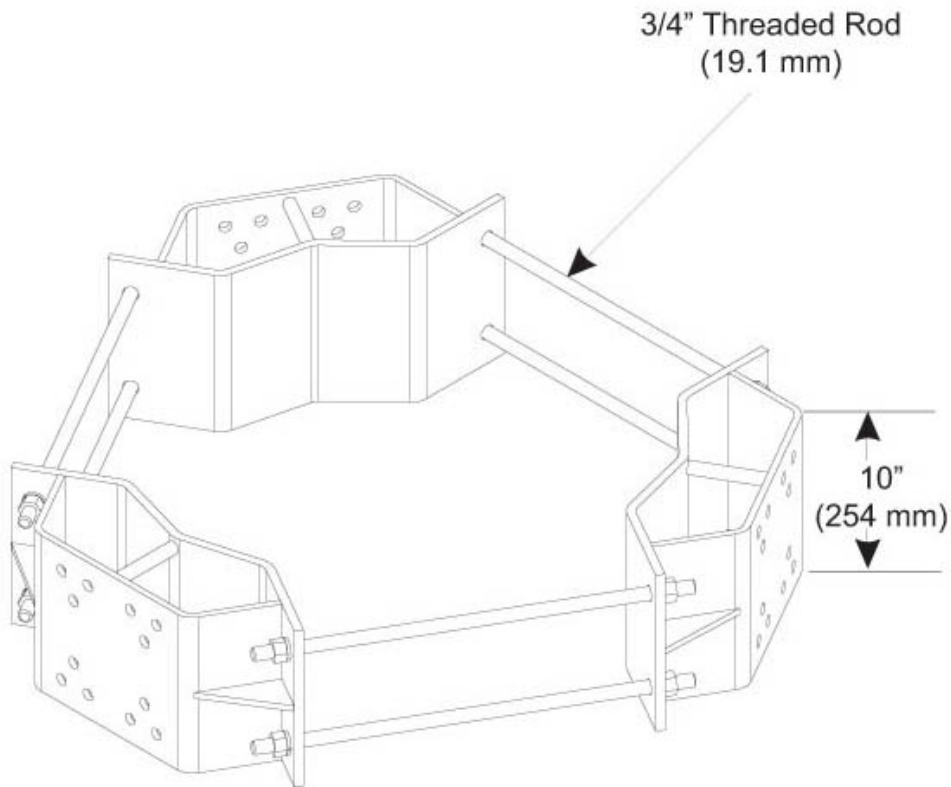
Pipe Outer Diameter 0 mm | 0 in

Mounting Circumference, maximum 4,785.36 mm | 188.4 in

Mounting Circumference, minimum 2,392.68 mm | 94.2 in

MC-RM3060-3

Outline Drawing



Material Specifications

Material Type Hot dip galvanized steel

Mechanical Specifications

Wind Rating 140 mph (BWS) at 150 ft AGL | 160 mph (3-second gust) at 150 ft AGL using Exposure D per FBC

Wind Rating Criteria Four 72 in x 8 in panel antennas per sector

Wind Rating Test Method TIA/EIA-222

Packaging and Weights

Included Mount | Threaded rod

Packaging quantity 1

Weight, net 140.614 kg | 310 lb

MC-RM3060-3

Regulatory Compliance/Certifications

Agency

ISO 9001:2015



Classification

Designed, manufactured and/or distributed under this quality management system

* Footnotes

Wind Rating

BWS—Base Wind Speed; FBC—Florida Building Code

MT-197

Single Support Arm, 36 in, includes pipe

Product Classification

Product Type Universal ring mount

General Specifications

Mounting Ring mount

Pipe, quantity 1

Dimensions

Height 457.2 mm | 18 in

Width 254 mm | 10 in

Length 914.4 mm | 36 in

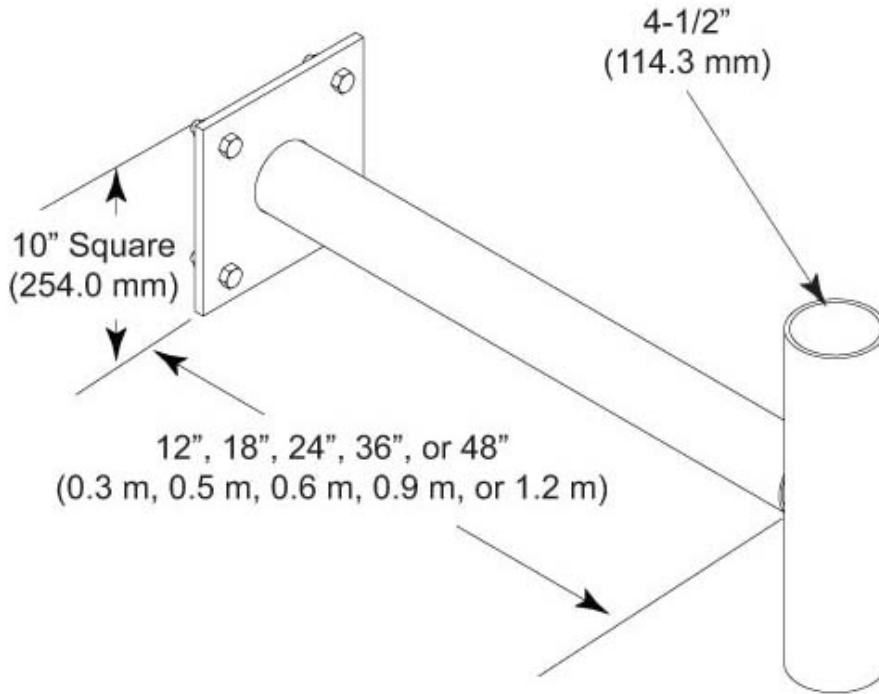
Pipe Length 457.2 mm | 18 in

Pipe Outer Diameter 114.3 mm | 4.5 in

Stand-off Distance 914.4 mm | 36 in

MT-197

Outline Drawing



Material Specifications

Material Type Hot dip galvanized steel

Mechanical Specifications

Wind Rating 120 mph (BWS) at 150 ft AGL | 140 mph (3-second gust) at 150 ft AGL using Exposure D per FBC

Wind Rating Criteria Four 72 in x 8 in panel antennas per sector

Wind Rating Test Method TIA/EIA-222

Packaging and Weights

Included Hardware | Stand-off arms

Packaging quantity 1

Weight, net 30.9 kg | 68.123 lb

MT-197

Regulatory Compliance/Certifications

Agency

ISO 9001:2015



Classification

Designed, manufactured and/or distributed under this quality management system

* Footnotes

Wind Rating

BWS—Base Wind Speed; FBC—Florida Building Code

MT-216-14NS

Cellular Pipe Frame, 14 ft face

Product Classification

Product Type Pipe mount

General Specifications

Mounting Pipe, 114.3 mm (4-1/2 in) OD

Dimensions

Height 254 mm | 10 in

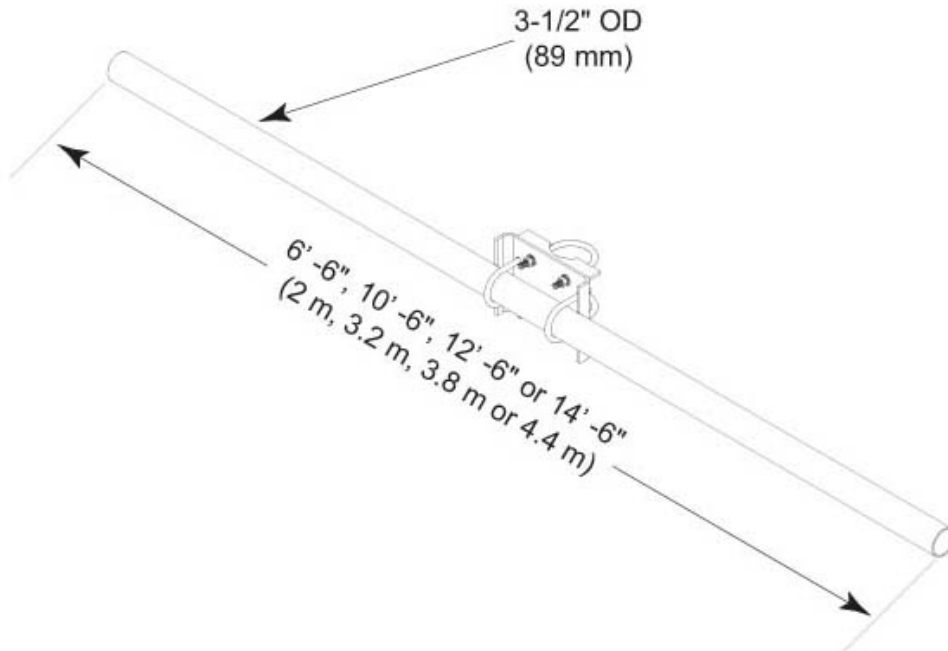
Face Width 4.42 m | 14.5 ft

Width 4,419.6 mm | 174 in

Length 88.9 mm | 3.5 in

MT-216-14NS

Outline Drawing



Material Specifications

Material Type Hot dip galvanized steel

Mechanical Specifications

Wind Rating 120 mph (BWS) at 150 ft AGL | 140 mph (3-second gust) at 150 ft AGL using Exposure D per FBC

Wind Rating Criteria Four 72 in x 8 in panel antennas per sector

Wind Rating Test Method TIA/EIA-222

Environmental Specifications

EPA with 1/2 in (12 mm) radial ice 1.514 m² | 16.3 ft²

EPA without ice 1.189 m² | 12.8 ft²

Packaging and Weights

Included Cellular pipe frames

MT-216-14NS

Packaging quantity 1
Weight, net 55.4 kg | 122.136 lb

Regulatory Compliance/Certifications

Agency	Classification
ISO 9001:2015	Designed, manufactured and/or distributed under this quality management system



* Footnotes

Wind Rating BWS—Base Wind Speed; FBC—Florida Building Code

EPA with 1/2 in (12 mm) radial ice EPA—Effective Projected Area

EPA without ice EPA—Effective Projected Area