

- 1.0 GENERAL NOTES
 - 1.1 ALL METRIC DIMENSIONS ARE IN BRACKETS [X.X]
 - 1.2 FOR PATENT INFO: <https://www.cs-pat.com>

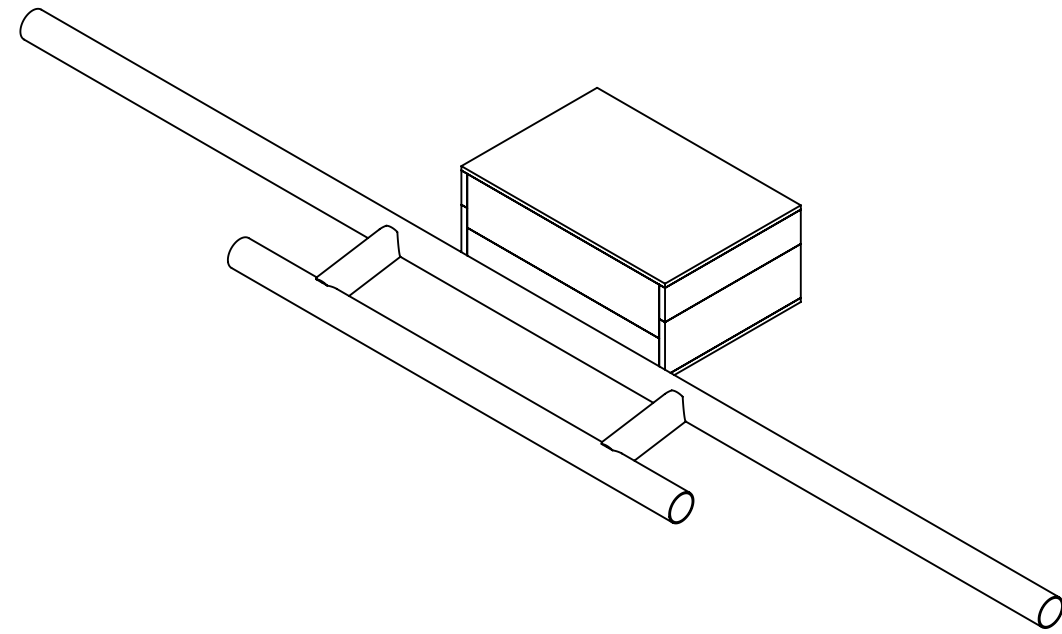
- 2.0 DESIGN NOTES
 - 2.1 ANY HAZARDS OR OBSTRUCTIONS TO THE CLIMBING FACILITY AND SAFETY CLIMB MUST BE IDENTIFIED PRIOR TO INSTALLING THE APPURTENANCE. ADDITIONAL PRODUCTS MAY BE REQUIRED TO MAINTAIN THE INTEGRITY OF THE SAFETY CLIMB. DURING INSTALLATION, TEMPORARY AND/OR PERMANENT PRECAUTIONARY MEASURES SHOULD BE TAKEN TO PRESERVE THE CLIMBING FACILITY AND/OR SAFETY CLIMB.

- 3.0 MANUFACTURING/SPECIAL REQUIREMENTS
 - 3.1 TIGHTEN ALL BOLTS SECURING FLAT PLATES BY THE TURN-OF-NUT METHOD. TIGHTEN ALL U-BOLTS USING TURN-OF-NUT METHOD WITH ATTENTION TO LEAVE EQUAL DISTANCE AND EQUAL FORCE ON EACH LEG OF THE U-BOLT.

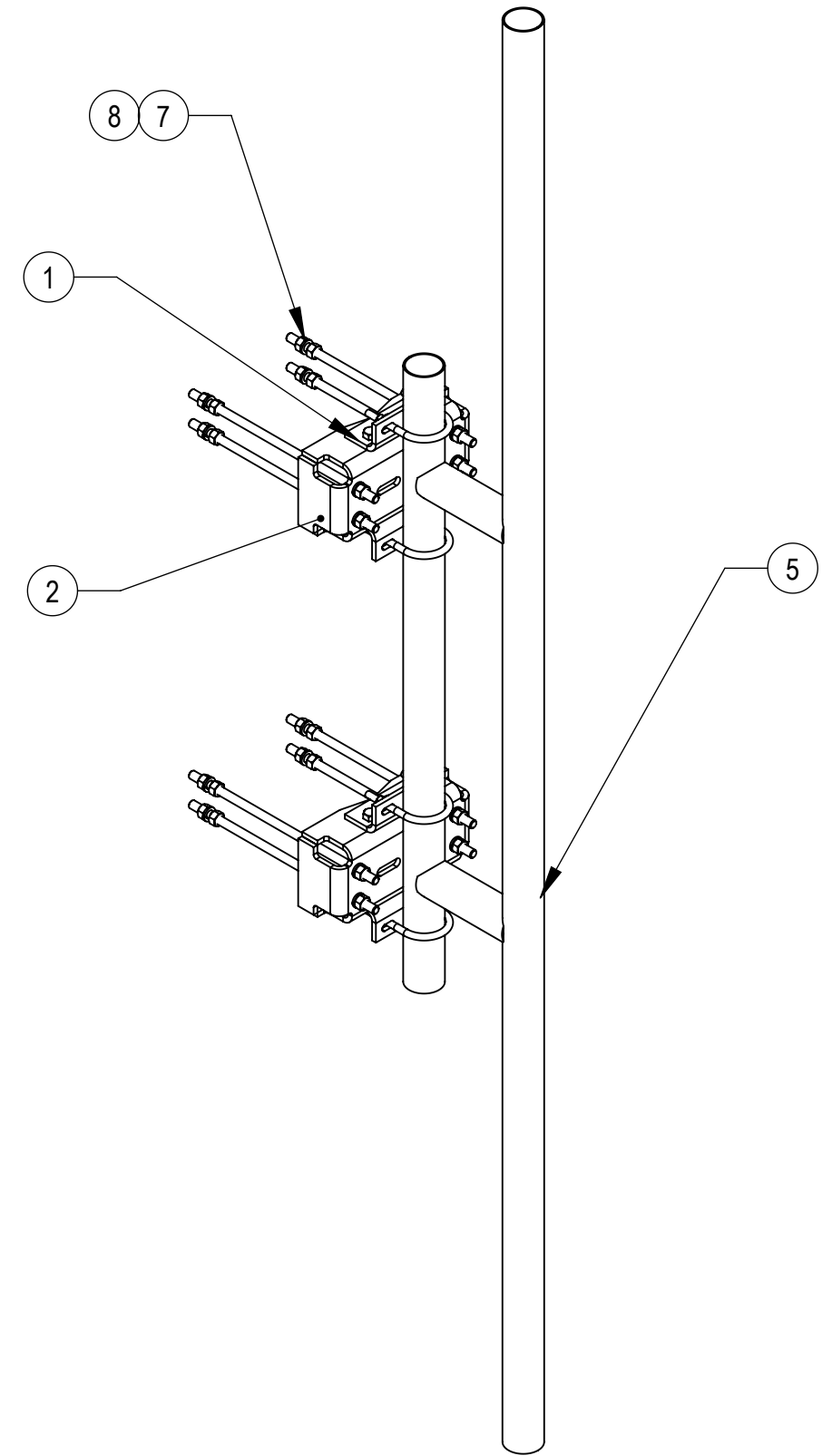
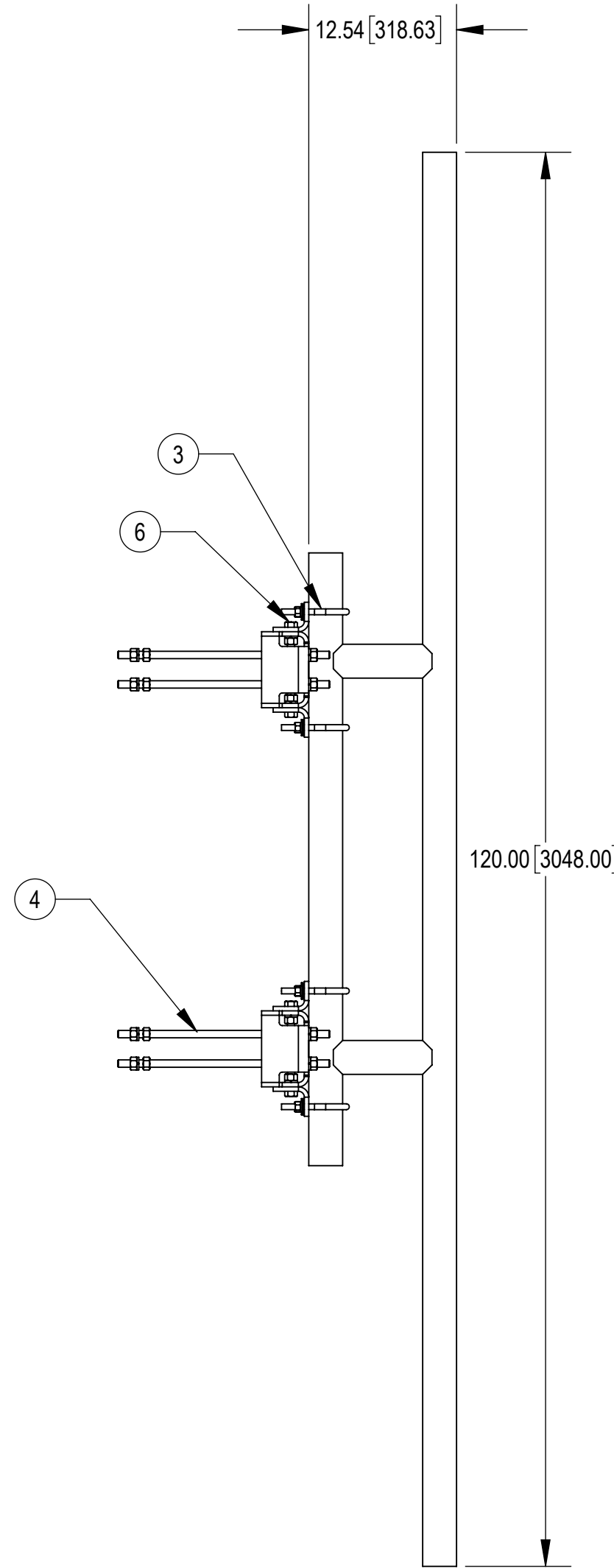
- 4.0 TEST
- 5.0 PACKAGING

- 5.1 PACKAGING SHALL MEET COMMSCOPE REQUIREMENTS PER DOCUMENT IS-PL-3005
- 5.2 PRINTED DOCUMENT TO BE PLACED INSIDE POLYBAG AND THEN IN SHIPPING CONTAINER
- 5.3 EXTRA HARDWARE MAY BE SUPPLIED, BAGGED AND SHIPPED

REVISIONS			
REV.	DESCRIPTION	DATE	APPROVED
A	INITIAL RELEASE	JLA 07JUN20	TP 8000041149
B	REPLACED P-100 WITH P100HD, REPLACED U-BOLTS GUB-4240 WITH GUB-4352.	XZ1054 15MAR21	BCROSS IPS10537
C	SFG2289 (ITEM 2) WAS SFG2284 ,ADDED PACKAGE VIEW	LS1146 10NOV23	YZ1080 40182942CMO



MTC4112-PACKAGE



COMPONENT PART NUMBERS PROVIDED FOR ASSEMBLY PURPOSES; INDIVIDUAL COMPONENTS MAY BE SHIPPED AS PARTS WITHIN AN INCLUDED KIT.

ITEM	PART NO.	DESCRIPTION	QTY.	WEIGHT	NOTE NO.
1	MTC4111	G2 RRU BENT PLATE	4	2.86 LBS	
2	SFG2289	G2 RRU BACK CLAMP, HD	2	18.65 LBS	
3	GUB-4352	1/2" X 3" X 5-1/4" GALV U-BOLT	4	0.71 LBS	
4	MT-382-18	5/8" X 18" GALV THREADED ROD	8	1.55 LBS	
5	P100HD	PANEL ANTENNA STANDOFF BRKT, 12", HD	1	56.17 LBS	
6	GB-05205	5/8" X 2" GALV BOLT KIT	8	0.26 LBS	
7	GN-05	5/8" GALV HEX NUT	24	0.08 LBS	
8	GWL-05	5/8" GALV LOCK WASHER	16	0.03 LBS	

DENSITY		lbs/in ³
MASS	126.34	lbs
VOLUME	447.04	in ³
SURFACE AREA	4945.52	in ²
HEIGHT	120.0"	
LENGTH	28.8"	
WIDTH	13.1"	

© 2023 CommScope, Inc. Confidential

COMMSCOPE, INC. OF NORTH CAROLINA											
TOLERANCES					SAP MATERIAL MASTER						
1 PLACE .X[.XX] ± 0.25[6.3]		3 PLACE .XXX[.XX] ± 0.060[1.5]			MTC4112						
2 PLACE .XX[.XX] ± 0.12[3.0]		ANGLES ± 2°									
FINISH					MATERIAL						
G2 RRU KIT 1 - P100											
MTC4112											
SCALE: 1:12 DOCUMENT NO. MTC4112											
ECN 40182942CMO											
SIZE		WORK AREA		INSL		MODEL			DRAWING		
C						VERSION			STATUS		
05		RE		C		05			RE C		
SHEET 1 OF 2											

4

3

2

1

D

D

C

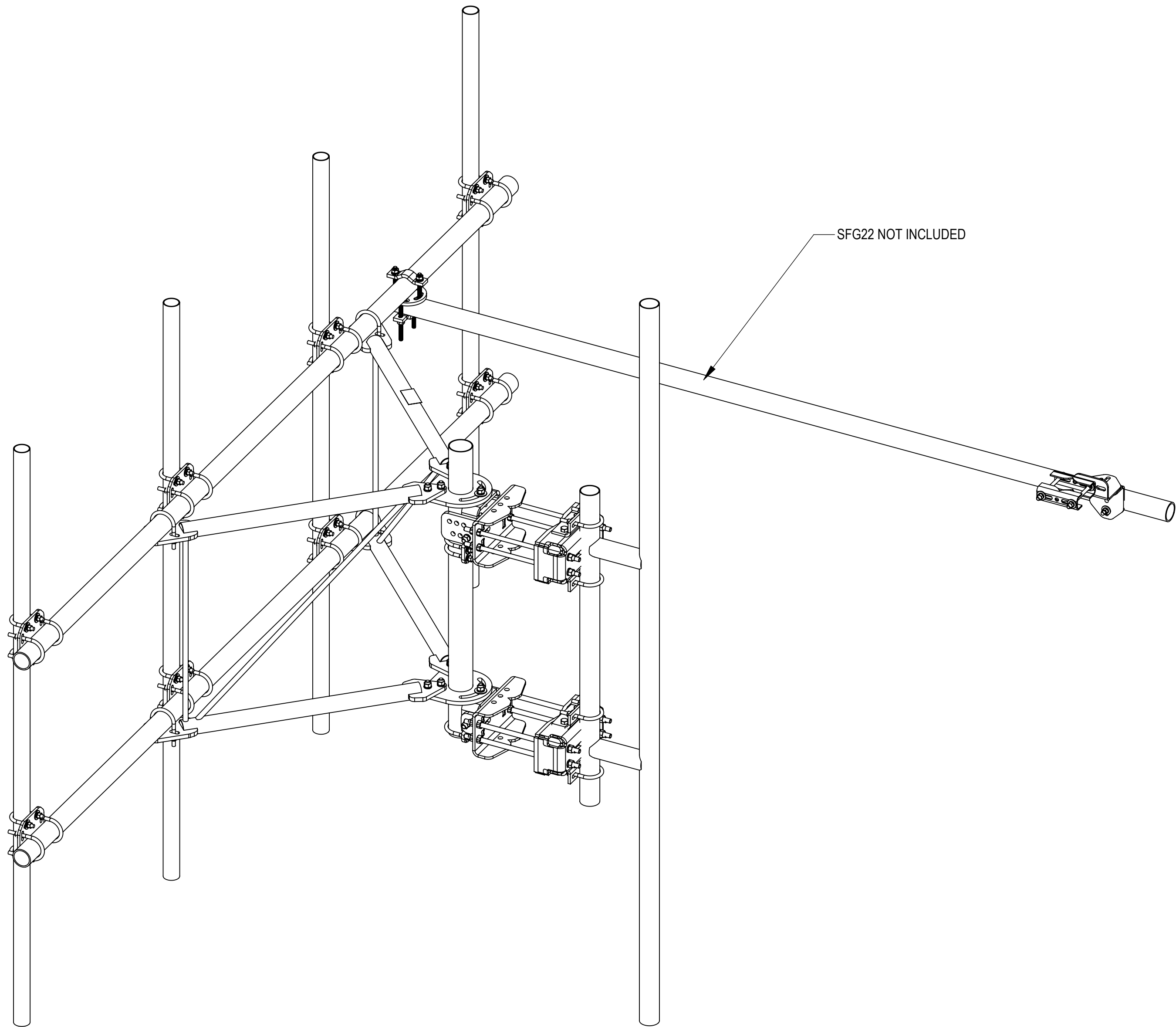
C

B

B

A

A



SFG22 NOT INCLUDED

DO NOT REUSE OLD HARDWARE, NEW HARDWARE PROVIDED

COMMSCOPE, INC. OF NORTH CAROLINA

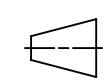
TITLE

G2 RRU KIT 1 - P100

SIZE
C

SCALE
1:12

DOCUMENT NO.
MTC4112



DRAWING			SHEET 2 OF 2
VERSION	STATUS	REVISION	
05	RE	C	

© 2023 CommScope, Inc. Confidential

4

3

2

1