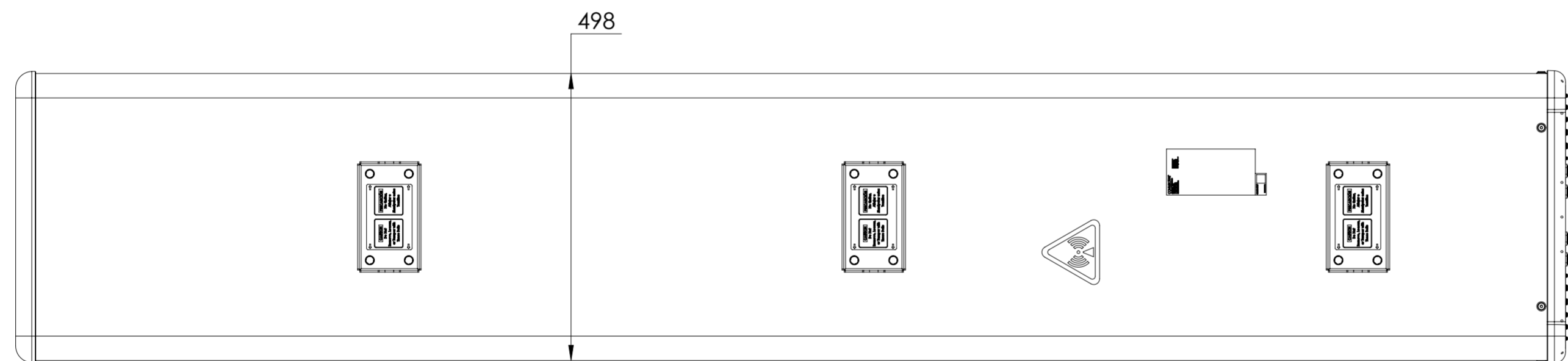
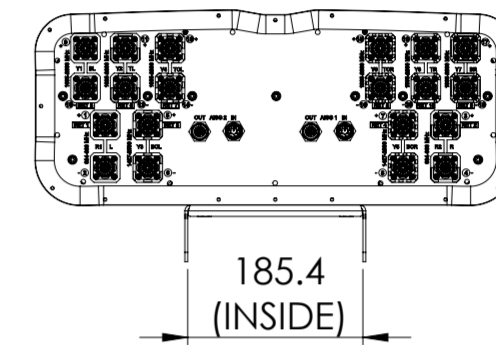
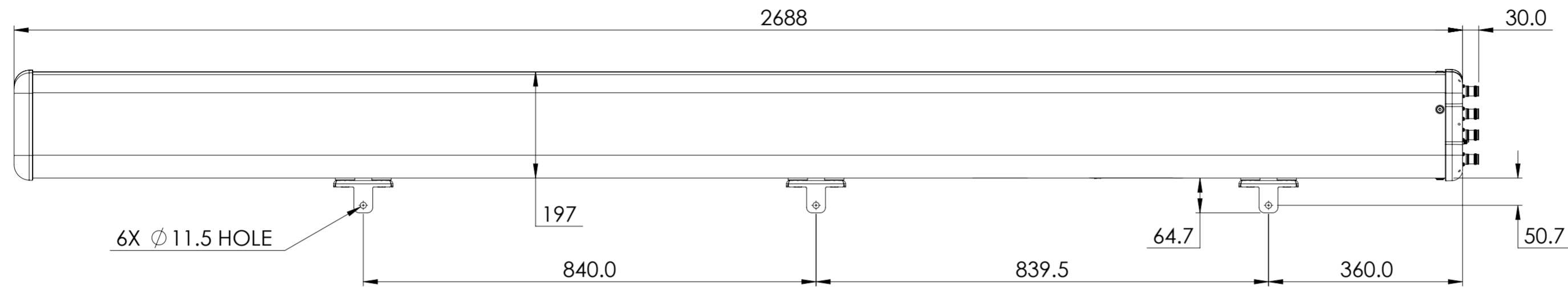


REVISIONS			
REV.	DESCRIPTION	DATE	APPROVED
A	ECR 8000041263: REL TO PRODUCTION PER EAO 607501.	25JUN20 AP	AY/RK
B	ECR 13870PC: UPDATE DRAWING WITH LATEST MODEL.	20JUL21 RY	DM.WANG/YZLI



RRZZV6-65D-R10

COMMSCOPE, INC. OF NORTH CAROLINA

TOLERANCES		SAP MATERIAL MASTER	
0 PLACE X ±	2 PLACE .XX ±		
1 PLACE .X ±	ANGLES ±		
FINISH		MATERIAL	
UNLESS OTHERWISE SPECIFIED DIMENSIONS ARE IN MILLIMETERS INTERPRET PER ISO STANDARDS HANDBOOK TECHNICAL DRAWINGS VOLUMES 1 & 2, THIRD EDITION (2002)		NAME	DATE
		CE AP1123	25JUN20
		RW RY1017	07/20/2021
		RV	
		AD DW1030	07/21/2021
RE BYUAN	07/22/2021	PRODUCT DRAWING	
ECN 13870PC		SCALE	DOCUMENT NO.
		1:8	RRZZV6-65D-R10-L
SIZE	WORK AREA	BSA	MODEL
A2			VERSION
			STATUS
			REVISION
			DRAWING
			VERSION
			STATUS
			REVISION
			SHEET
			1 OF 1