

L4HM-F



4.3-10 Male for 1/2in LDF4-50A cable

Product Classification

Product Type	Wireless and radiating connector
Product Brand	HELIAX®
Product Series	LDF4-50A
Ordering Note	CommScope® standard product (Global)
Warranty	Five years

General Specifications

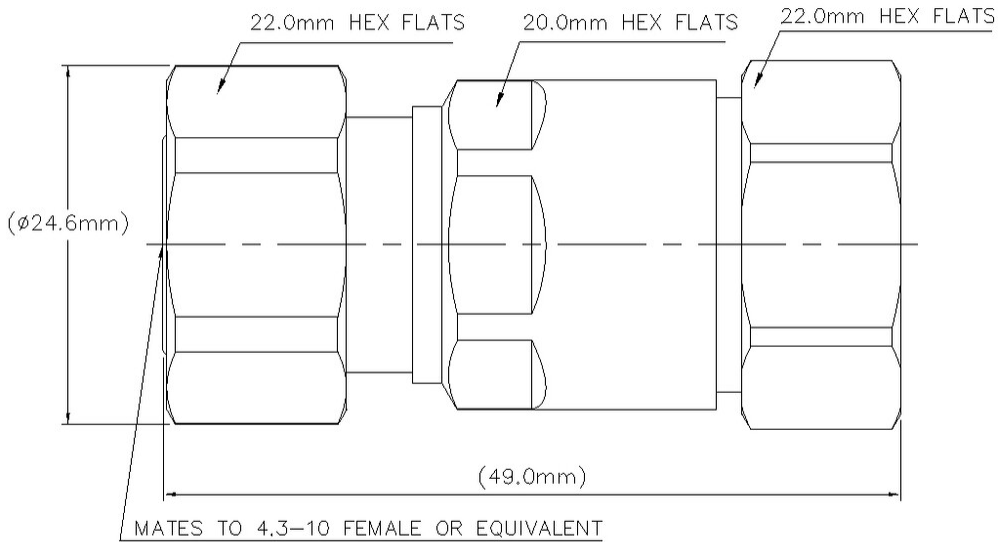
Body Style	Straight
Cable Family	LDF4-50A
Inner Contact Attachment Method	Captivated
Inner Contact Plating	Silver
Interface	4.3-10 Male
Mounting Angle	Straight
Outer Contact Attachment Method	Clamp
Outer Contact Plating	Trimetal

Dimensions

Length	49 mm 1.929 in
Diameter	24.6 mm 0.969 in
Nominal Size	1/2 in

Outline Drawing

L4HM-F



Electrical Specifications

3rd Order IMD at Frequency	-116 dBm @ 900 MHz
3rd Order IMD Test Method	Two +43 dBm carriers
Insertion Loss Coefficient, typical	0.05
Average Power at Frequency	600.0 W @ 900 MHz
Cable Impedance	50 ohm
Connector Impedance	50 ohm
dc Test Voltage	2500 V
Impedance	50 ohm
Inner Contact Resistance, maximum	1 mOhm
Insulation Resistance, minimum	5000 MOhm
Operating Frequency Band	0 – 8800 MHz
Outer Contact Resistance, maximum	1 mOhm
Peak Power, maximum	22.5 kW
RF Operating Voltage, maximum (vrms)	707 V
Shielding Effectiveness	-110 dB

L4HM-F

VSWR/Return Loss

Frequency Band	VSWR	Return Loss (dB)	Gated VSWR	Gated Return Loss (dB)	VSWR, typical	Return Loss, typical (dB)
0–3000 MHz	1.101	26.4	1.025	38		
3000–4000 MHz	1.253	19	1.023	39		
4000–5000 MHz	1.253	19	1.036	35		
5000–6000 MHz	1.253	19	1.106	26		
6000–8800 MHz			1.288	18	1.925	10

Mechanical Specifications

Attachment Durability	25 cycles
Connector Retention Tensile Force	600 N 134.885 lbf
Connector Retention Torque	4.5 N-m 39.828 in lb
Coupling Nut Proof Torque	10 N-m 88.507 in lb
Coupling Nut Retention Force	449.98 N 101.16 lbf
Insertion Force	66.72 N 14.999 lbf
Insertion Force Method	IEC 60068-2-21 Method Ua2
Interface Durability	100 cycles
Mechanical Shock Test Method	IEC 60068-2-27

Environmental Specifications

Operating Temperature	-45 °C to +85 °C (-49 °F to +185 °F)
Storage Temperature	-55 °C to +85 °C (-67 °F to +185 °F)
Corrosion Test Method	IEC 60068-2-11
Immersion Depth	1 m
Immersion Test Mating	Mated
Immersion Test Method	IEC 60529:2001, IP68
Moisture Resistance Test Method	IEC 60068-2-3
Thermal Shock Test Method	IEC 60068-2-14
Vibration Test Method	IEC 60068-2-6

Packaging and Weights

L4HM-F

Height, packed	248.92 mm 9.8 in
Width, packed	266.7 mm 10.5 in
Length, packed	266.7 mm 10.5 in
Packaging quantity	50
Weight, net	68.02 g 0.15 lb

* Footnotes

Warranty	For more information, please consult our Product Warranty guidelines
Insertion Loss Coefficient, typical	$0.05\sqrt{\text{freq}}$ (GHz) (not applicable for elliptical waveguide)
Immersion Depth	Immersion at specified depth for 24 hours