

4

3

2

1

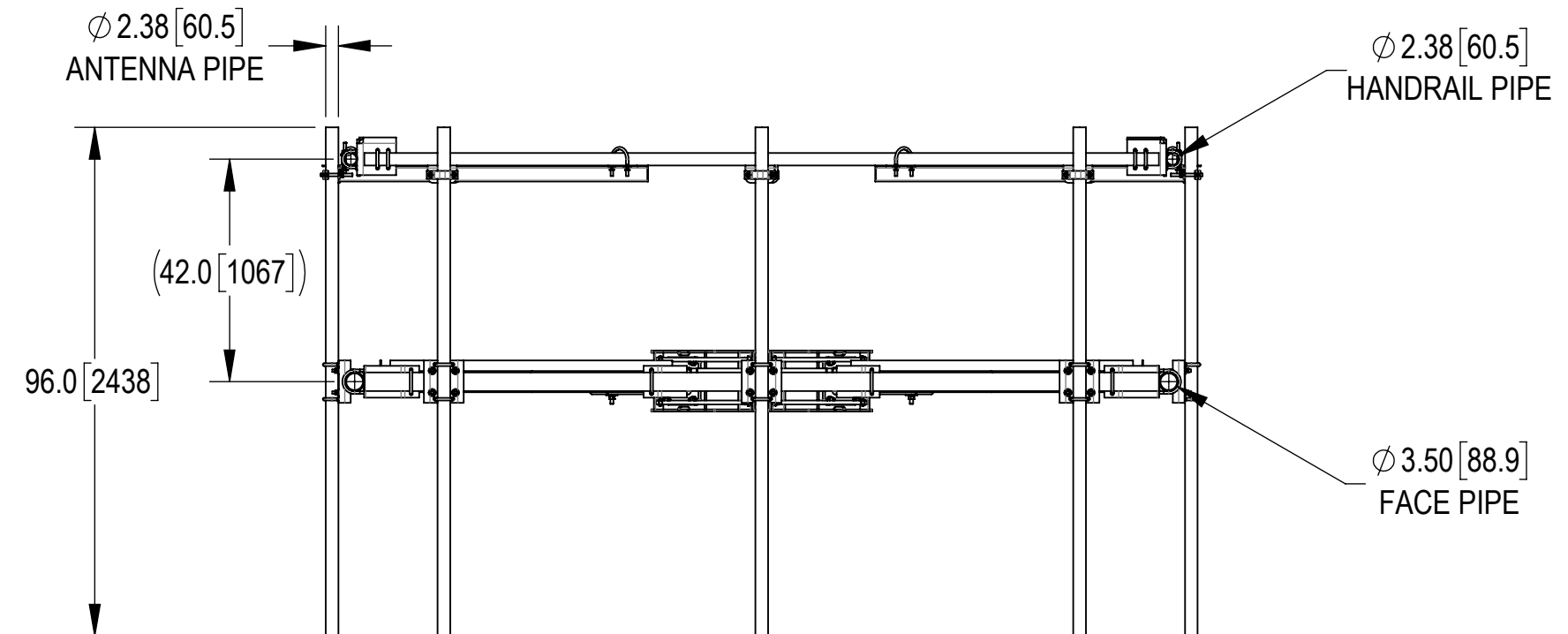
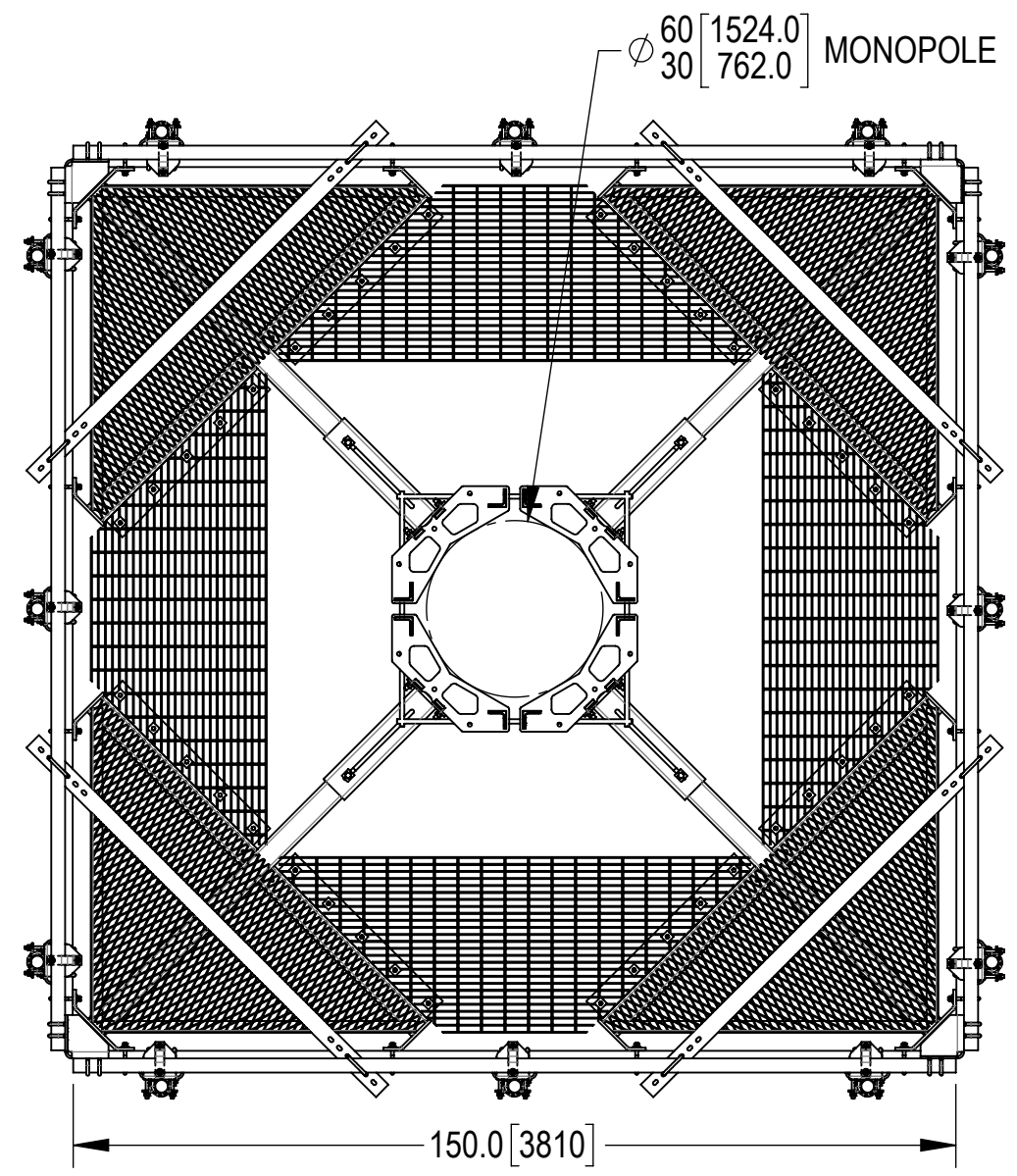
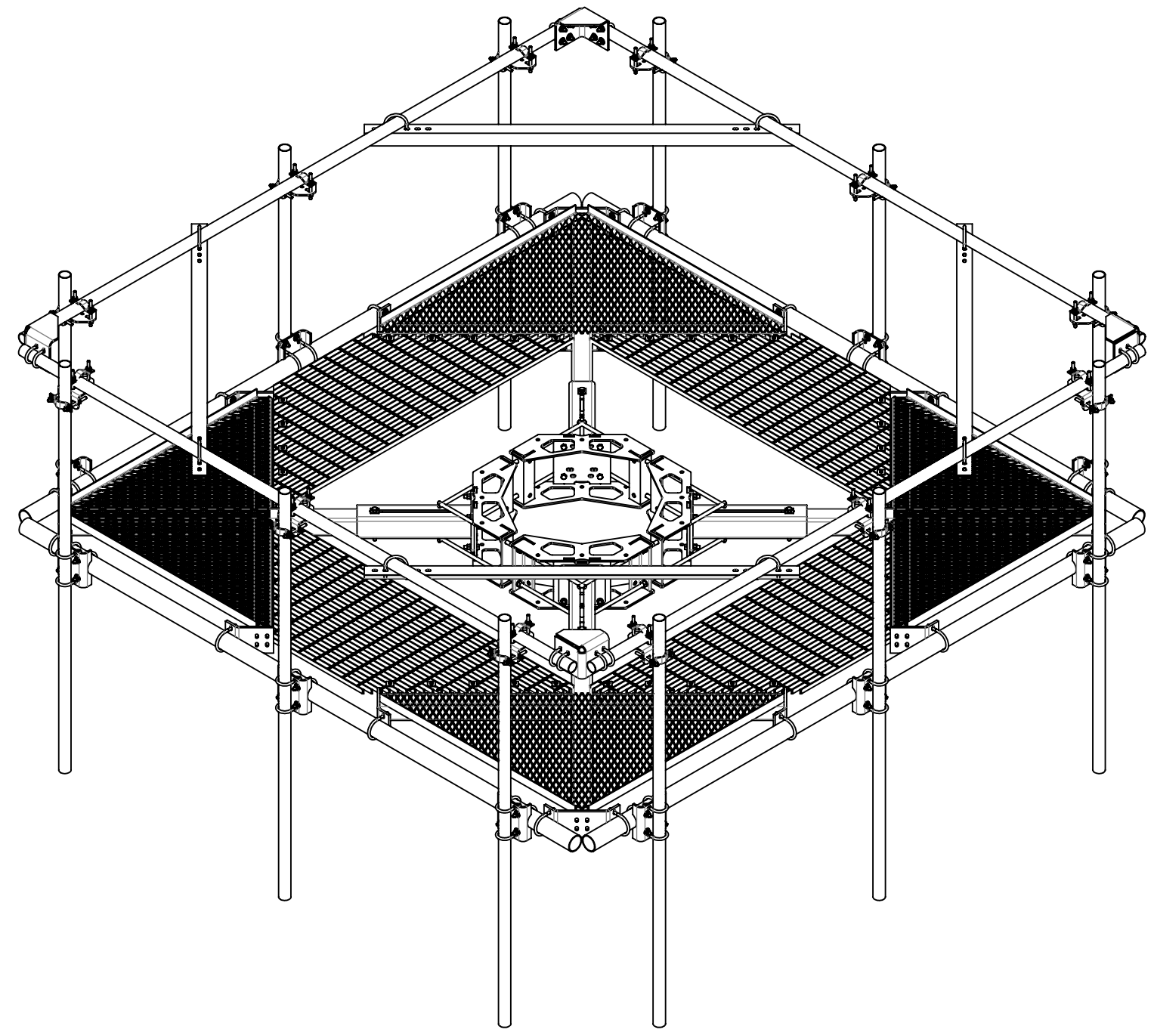
- 1.0 GENERAL NOTES
- 1.1 ALL METRIC DIMENSIONS ARE IN BRACKETS [X.X]
- 1.2 FOR PATENT INFO: <https://www.cs-pat.com>

- 2.0 DESIGN NOTES
- 2.1 ANY HAZARDS OR OBSTRUCTIONS TO THE CLIMBING FACILITY AND SAFETY CLIMB MUST BE IDENTIFIED PRIOR TO INSTALLING THE APPURTENANCE. ADDITIONAL PRODUCTS MAY BE REQUIRED TO MAINTAIN THE INTEGRITY OF THE SAFETY CLIMB. DURING INSTALLATION, TEMPORARY AND/OR PERMANENT PRECAUTIONARY MEASURES SHOULD BE TAKEN TO PRESERVE THE CLIMBING FACILITY AND/OR SAFETY CLIMB.
- 2.2 FITS MONOPOLES 30"-60" O.D.

- 3.0 MANUFACTURING/SPECIAL REQUIREMENTS
- 3.1 TIGHTEN ALL BOLTS SECURING FLAT PLATES BY THE TURN-OF-NUT METHOD. TIGHTEN ALL U-BOLTS USING TURN-OF-NUT METHOD WITH ATTENTION TO LEAVE EQUAL DISTANCE AND EQUAL FORCE ON EACH LEG OF THE U-BOLT.

- 4.0 TEST
- 5.0 PACKAGING
- 5.1 PACKAGING SHALL MEET COMMSCOPE REQUIREMENTS PER DOCUMENT IS-PL-3005
- 5.2 PRINTED DOCUMENT TO BE PLACED INSIDE POLYBAG AND THEN IN SHIPPING CONTAINER
- 5.3 EXTRA HARDWARE MAY BE SUPPLIED, BAGGED AND SHIPPED

REVISIONS			
REV.	DESCRIPTION	DATE	APPROVED
A	INITIAL RELEASE	MSM 10/17/14	8000005495
B	UPDATED DRAWING TO NEW FORMAT	RY1002 23FEB24	BCROSS 40189627CMO



COMMSCOPE, INC. OF NORTH CAROLINA												
TOLERANCES						SAP MATERIAL MASTER						
1 PLACE .X[X] ± 0.12[3.0]			3 PLACE .XXX[X] ± 0.03[0.8]			SEE TABLE 1						
2 PLACE .XX[X] ± 0.06[1.5]			ANGLES ± 2°									
FINISH						MATERIAL						
UNLESS OTHERWISE SPECIFIED DIMENSIONS ARE IN INCHES INTERPRET PER ANSI Y 14.5M-1994	NAME	DATE	TITLE									
	CE MSM	10/17/14	4 SECTOR CO-LOCATION PLATFORM, 12' FACE									
	RW											
	AD											
	RE											
ECN 40189627CMO			SCALE	DOCUMENT NO.								
			1:28	MC-PK12L4-12-96								
SIZE	Auth Group	INSL	MODEL			DRAWING						
C			VERSION	STATUS	REVISION	VERSION	STATUS	REVISION	SHEET			
			01	RW	A	00	RW	B	1 OF 3			

DENSITY	lbs/in ³
MASS	lbs
VOLUME	in ³
SURFACE AREA	in ²
HEIGHT	
LENGTH	165"
WIDTH	165"

4

3

2

1

PART NUMBERS, WEIGHTS, & EPA

TABLE 1: CONFIGURATIONS

PART NUMBER	DESCRIPTION	WEIGHT (LBS)	(EPA)A (ft ²)*		(EPA)A 1/2" ICE THICKNESS (FT ²)*		ANTENNA PIPES	INCLUDED PARTS			
			MIN	MAX	MIN	MAX		MCPK12L4HB	MCPKL4SB	MCPK12L472SB	MCPK12L4SB
MC-PK12L4-12-96	4 SECTOR CO-LOCATION PLATFORM, 12' FACE	2937.29	36.64	37.78	46.05	47.46	12	1	1		1

* (EPA)A DOES NOT INCLUDE ANTENNA PIPES AND MOUNTING HARDWARE. IF DESIRED, ADD ANTENNA PIPE PER TABLE 2

TABLE 2: EPA OF EACH ANTENNA PIPE

ANTENNA PIPE	(EPA)A (FT ²)	(EPA)A W/ 1/2" ICE THICKNESS (FT ²)
2-3/8" X 96"	1.52	2.16


NOTE:

1. ANTENNA PIPES ARE CONSIDERED SEPARATELY.
2. KA FACTOR OF 4-SECTOR EPA INCLUDED.
3. COMBINE THE ASSOCIATED EPA VALUES IN THE TABLES ABOVE TO DETERMINE THE EPA OF A MOUNT MODEL WITH A LISTED MOUNT PIPE CONFIGURATION. FOR EXAMPLE, THE MINIMUM OF MC-PK12L4-12-96 HAS A EPA (A) OF 36.64 FT² WITH NO ICE PLUS 12 ANTENNA PIPES WITH A EPA (A) OF 12X1.52=18.24 FT² WITH NO ICE. SO, THE TOTAL EPA OF 54.88 FT² FOR THE MINIMUM OF MC-PK12L4-12-96.

COMMSCOPE, INC. OF NORTH CAROLINA

TITLE
4 SECTOR CO-LOCATION PLATFORM, 12' FACE

SIZE C	SCALE 1:30	DOCUMENT NO. MC-PK12L4-12-96
------------------	----------------------	--

	DRAWING			SHEET 2 OF 3
	VERSION 00	STATUS RW	REVISION B	

4

3

2

1

4

3

2

1

D

D

C

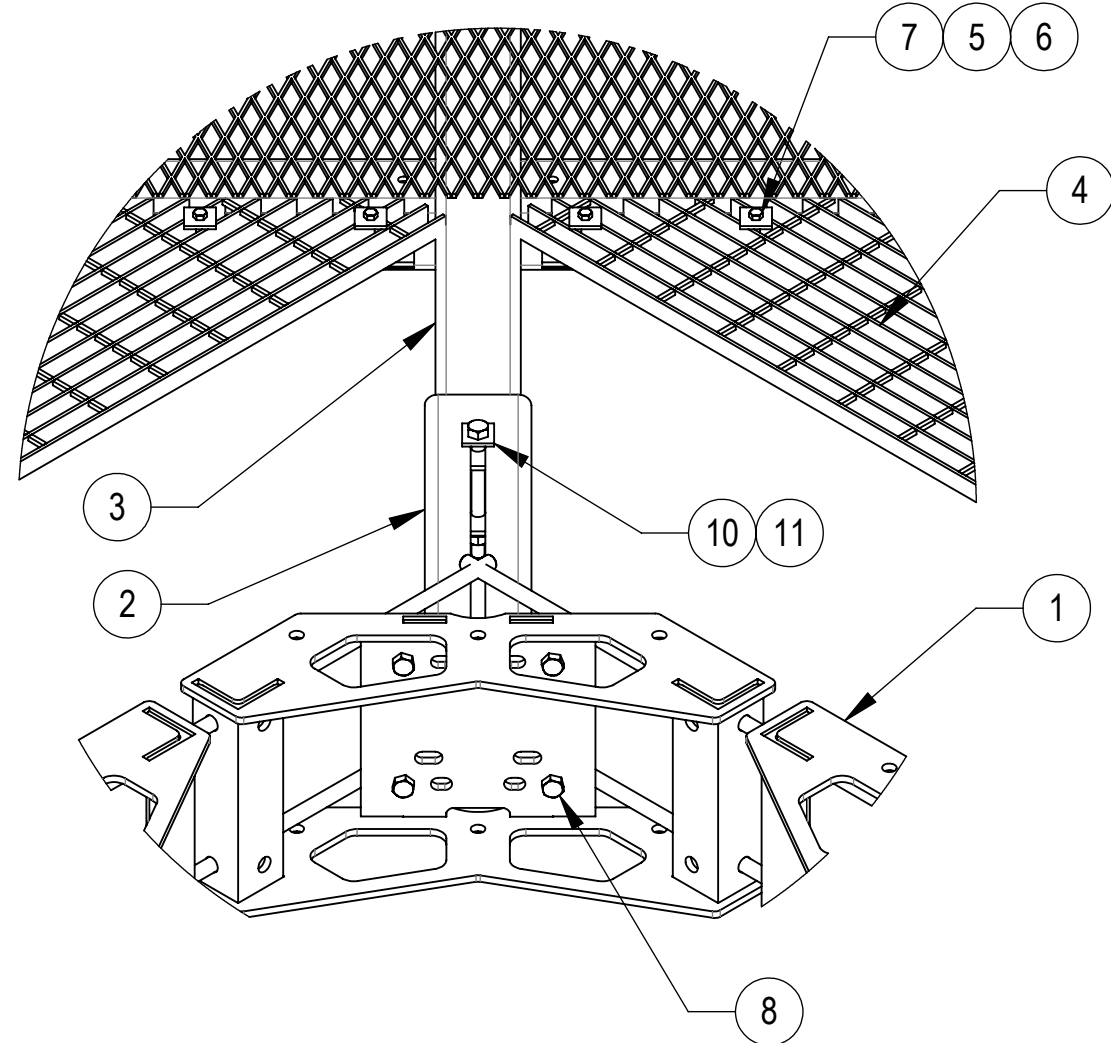
C

B

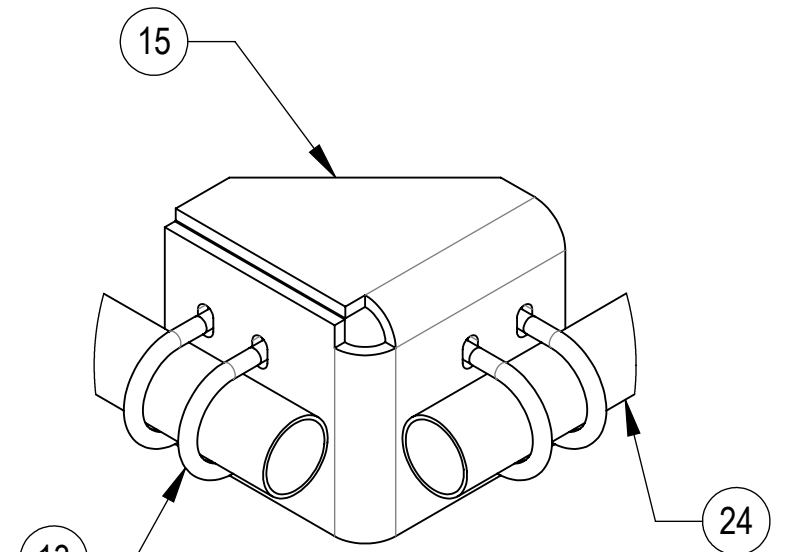
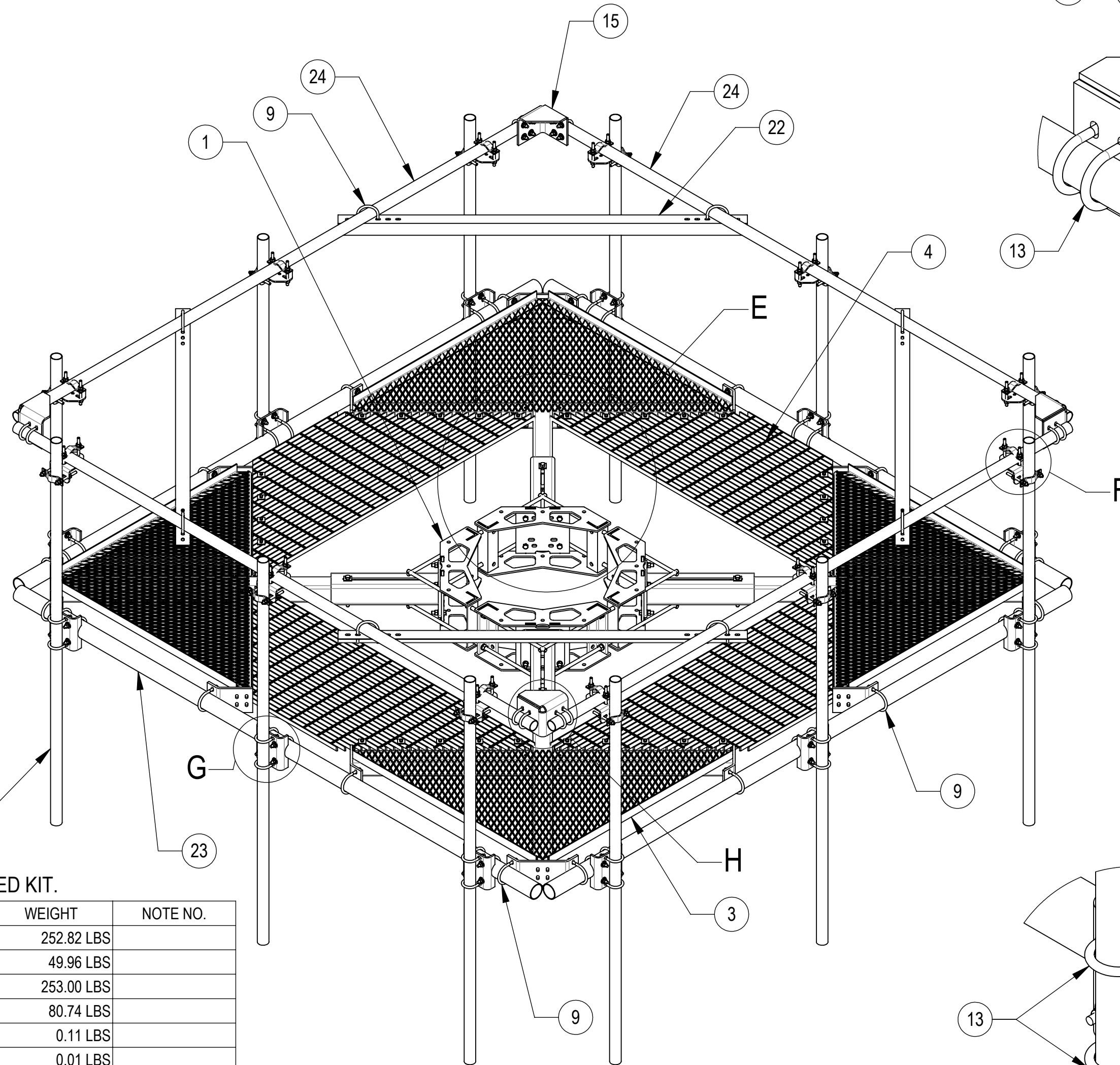
B

A

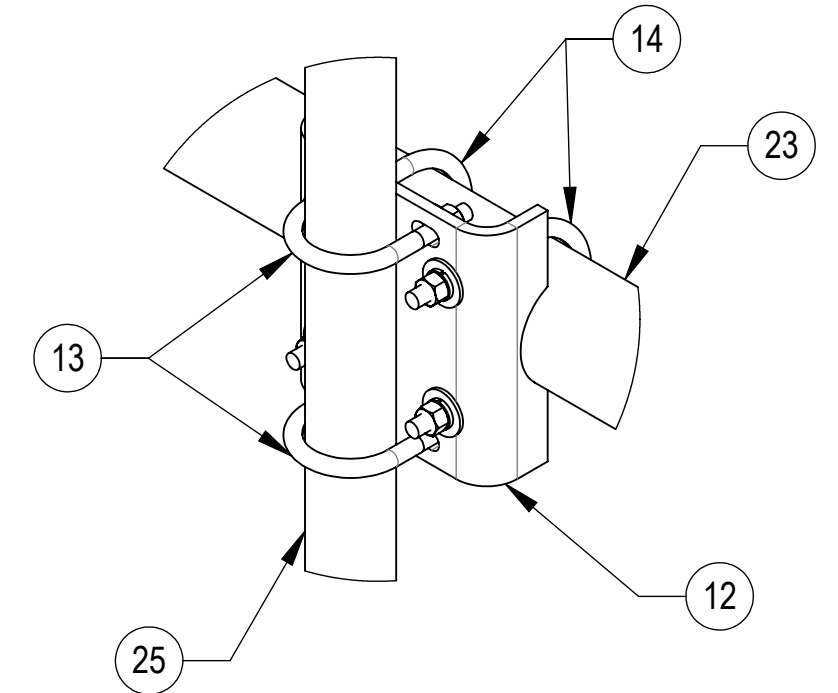
A



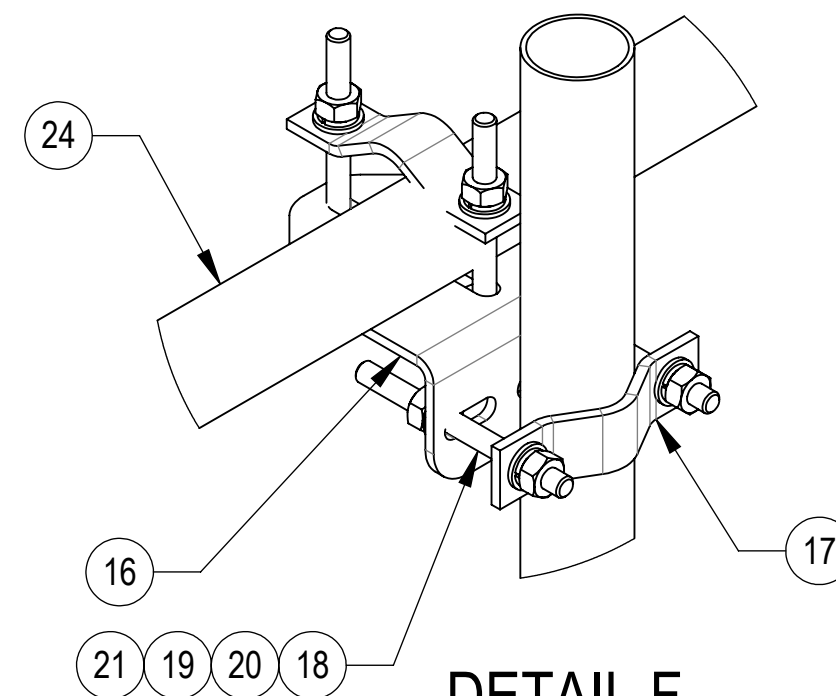
DETAIL E
SCALE 1 : 9



DETAIL H
SCALE 1 : 5



DETAIL G
SCALE 1 : 5



DETAIL F
SCALE 1 : 4

COMPONENT PART NUMBERS PROVIDED FOR ASSEMBLY PURPOSES;
INDIVIDUAL COMPONENTS MAY BE SHIPPED AS PARTS WITHIN AN INCLUDED KIT.

ITEM	PART NO.	DESCRIPTION	QTY.	WEIGHT	NOTE NO.
1	MC-RM3060-4	FOUR SECTOR RING MOUNT, 30-60 OD	1	252.82 LBS	
2	MTC820122	SLIDER TUBE FOR 30IN - 60IN	4	49.96 LBS	
3	MTC820121	PLATFORM WELDMENT	4	253.00 LBS	
4	MTC820131	PLATFORM GRATE	4	80.74 LBS	
5	MT-387	SQUARE WASHER 1-1/2"X1-1/2" W/ 7/16 HOLE	40	0.11 LBS	
6	GWF-03	3/8" GALV FLAT WASHER	40	0.01 LBS	
7	GB-03225	3/8" X 2-1/4" GALV BOLT KIT	40	0.09 LBS	
8	GB-0524A	5/8" X 2-1/2" GALV BOLT KIT (A325)	16	0.30 LBS	
9	GUB-4355	1/2" X 3-5/8" X 5" GALV U-BOLT	24	0.71 LBS	
10	MT389	WASHER, 1-1/2" X 1 5/8", 11/16" HOLE,SQ	8	0.11 LBS	
11	GB-0570A	5/8" X 7" GALV BOLT KIT A325	4	0.69 LBS	
12	MT21701	PIPE MOUNT PLATE	12	7.93 LBS	
13	GUB-4240	1/2" X 2-1/2" X 4" GALV U-BOLT	40	0.56 LBS	
14	GUB-4356	1/2" X 3-5/8" X 6" GALV U-BOLT	24	0.81 LBS	
15	MTC343201	CORNER BRACKET	4	13.18 LBS	
16	XAU01	ANGLE, CROSSOVER, 1.9-3.5" X 1.9-3.5" OD	12	2.98 LBS	
17	ACP10	1.5" - 3.5" O.D. CLAMP HALF	24	0.61 LBS	
18	MT-379-6	1/2" X 6" GALV THREADED ROD	48	0.33 LBS	
19	GWL-04	1/2" GALV LOCK WASHER	96	0.01 LBS	
20	GWF04A	1/2" GALV FLAT WASHER (A325)	96	0.02 LBS	
21	GN-04A	1/2" GALV HEX NUT (A194 2H)	96	0.07 LBS	
22	MTC343203	HANDRAIL SUPPORT ANGLE	4	25.62 LBS	
23	MT21601	PIPE, 3-1/2"OD X 150"	4	75.85 LBS	
24	MT-651-150	2.375" OD X 150" PIPE	4	36.34 LBS	
25	MT-651-96	2.375" OD X 96" PIPE	12	23.05 LBS	

© 2024 CommScope, Inc. Confidential

COMMScope, INC. OF NORTH CAROLINA				
TITLE 4 SECTOR CO-LOCATION PLATFORM, 12' FACE				
SIZE C	SCALE 1:20	DOCUMENT NO. MC-PK12L4-12-96		
DRAWING		VERSION	STATUS	REVISION
		00	RW	B
				SHEET 3 OF 3

4

3

2

1