

4

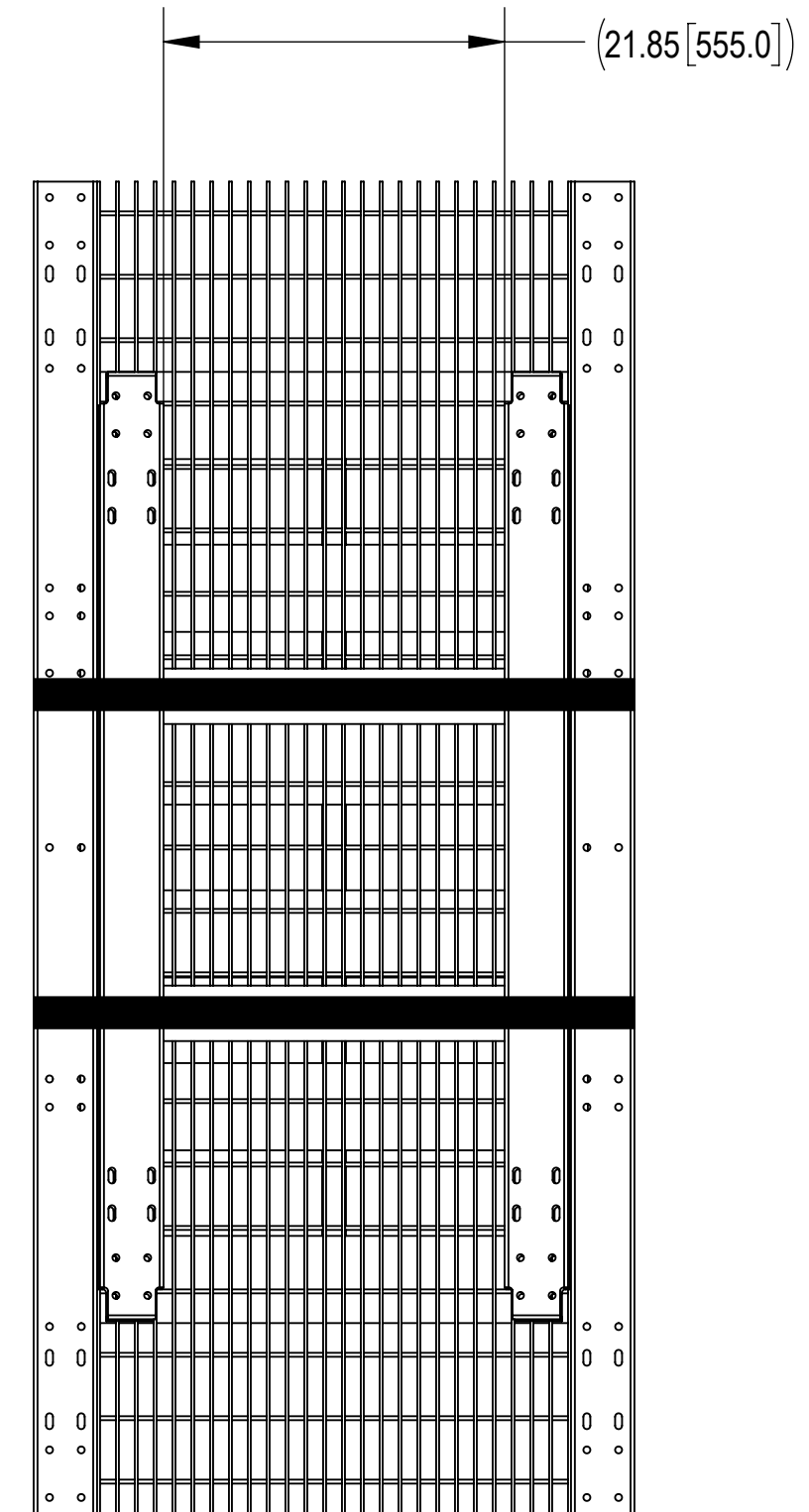
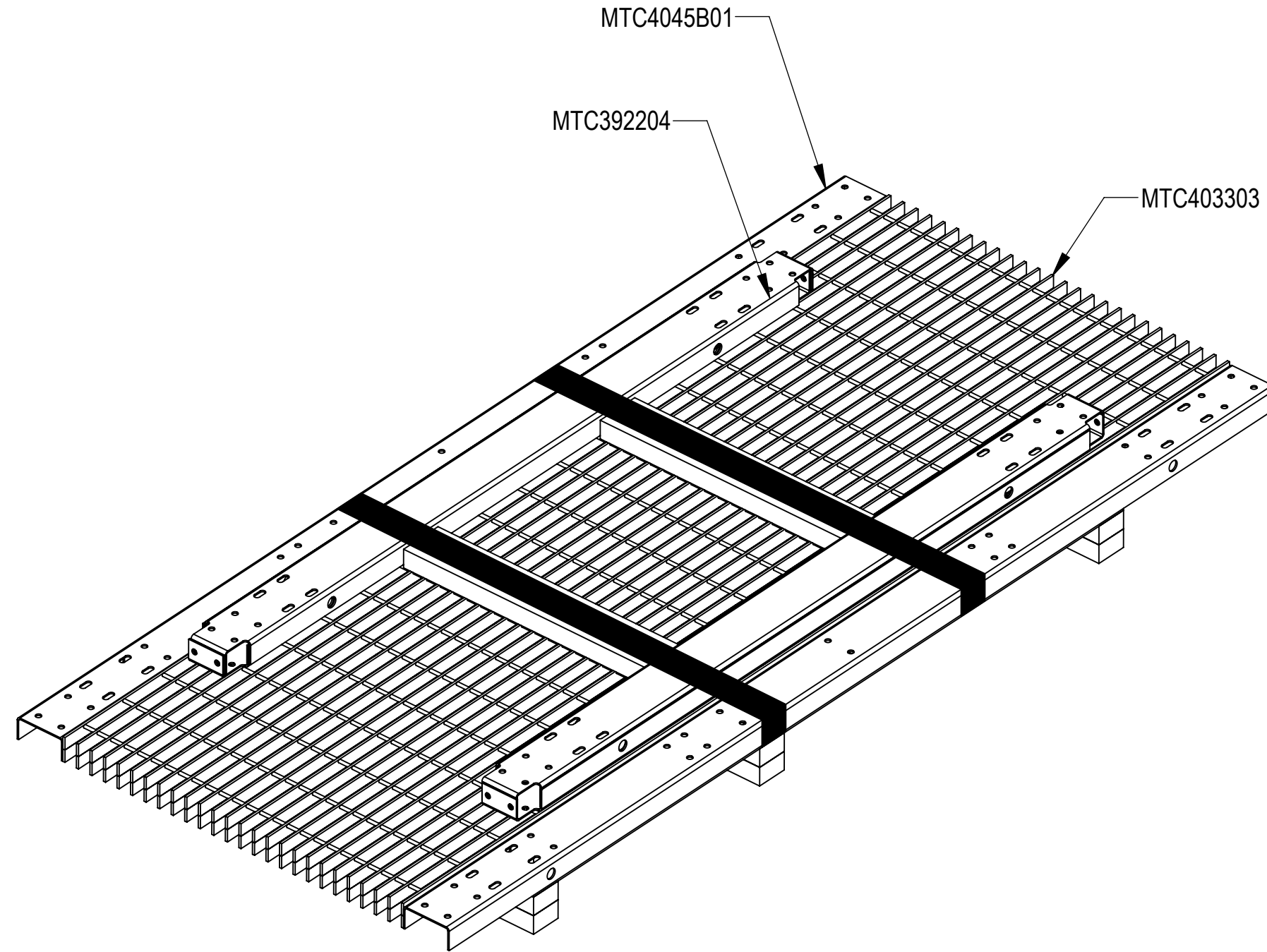
3

2

1

- 1.0 GENERAL
 - 1.1 ALL METRIC DIMENSIONS ARE IN BRACKETS [X.X]
- 2.0 DESIGN NOTES
 - 2.1 TIGHTEN ALL BOLTS SECURING FLAT PLATES BY THE TURN-OF-NUT METHOD. TIGHTEN ALL U-BOLTS USING TURN-OF-NUT METHOD WITH ATTENTION TO LEAVE EQUAL DISTANCE AND EQUAL FORCE ON EACH LEG OF THE U-BOLT.
 - 2.2 EOR TO DETERMINE IF GROUND ANCHORS ARE NEEDED.
- 3.0 MANUFACTURING/SPECIAL REQUIRMENTS
- 4.0 TEST
- 5.0 PACKAGING
 - 5.1 STACK AND NEST ALL SHEET METAL COMPONENTS TOGETHER AND BUNDLE ON PALLET.
 - 5.2 STRAP COMPONENTS TO PALLET.

REVISIONS			
REV.	DESCRIPTION	DATE	ECN
A	INITIAL RELEASE	RJC 15OCT18	8000032049
B	UPDATED TORQUE IN NOTES 2.1, 2.2 & 2.3	HDAI 15SEP21	40136175CMO
C	UPDATED 3/4" X 12" THREADED ROD TO 1" X 12", ITEM 7 EQPDF29 WAS MT38412; ITEM 8 MTCP0306CWP16 WAS MTCP0306CWP14; ITEM 10 GWL-08 WAS GWL-06; ITEM 11 GN-08 WAS GN-06; ITEM 13 MTC392217 WAS MTC392211; UPDATED NOTES	JL1183 29DEC21	AJ1022 40140103CMO



DENSITY		lbs/in ³
MASS	431	lbs
VOLUME	1525	in ³
SURFACE AREA	19553	in ²
HEIGHT	16[411]	
LENGTH	84[2134]	
WIDTH	60[1524]	

© 2023 CommScope, Inc.

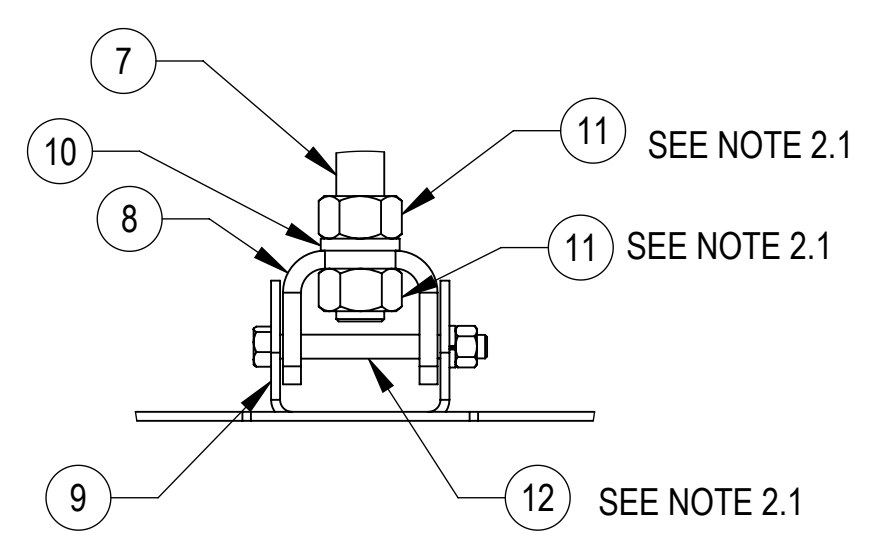
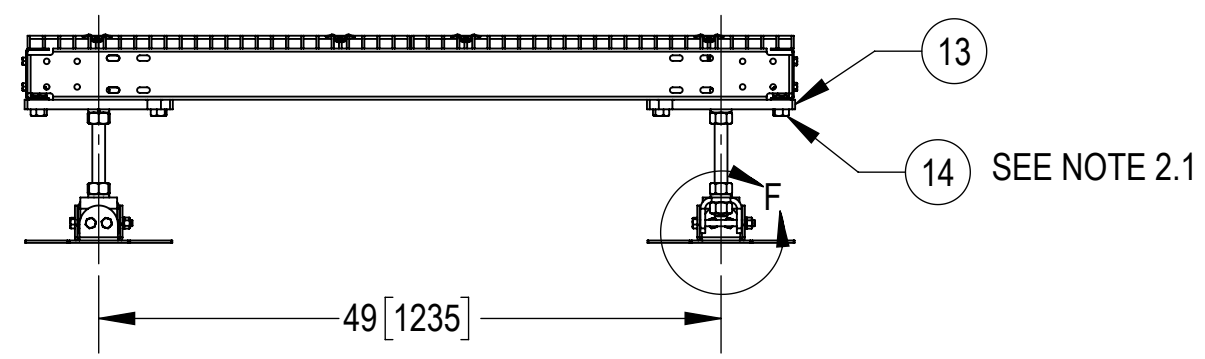
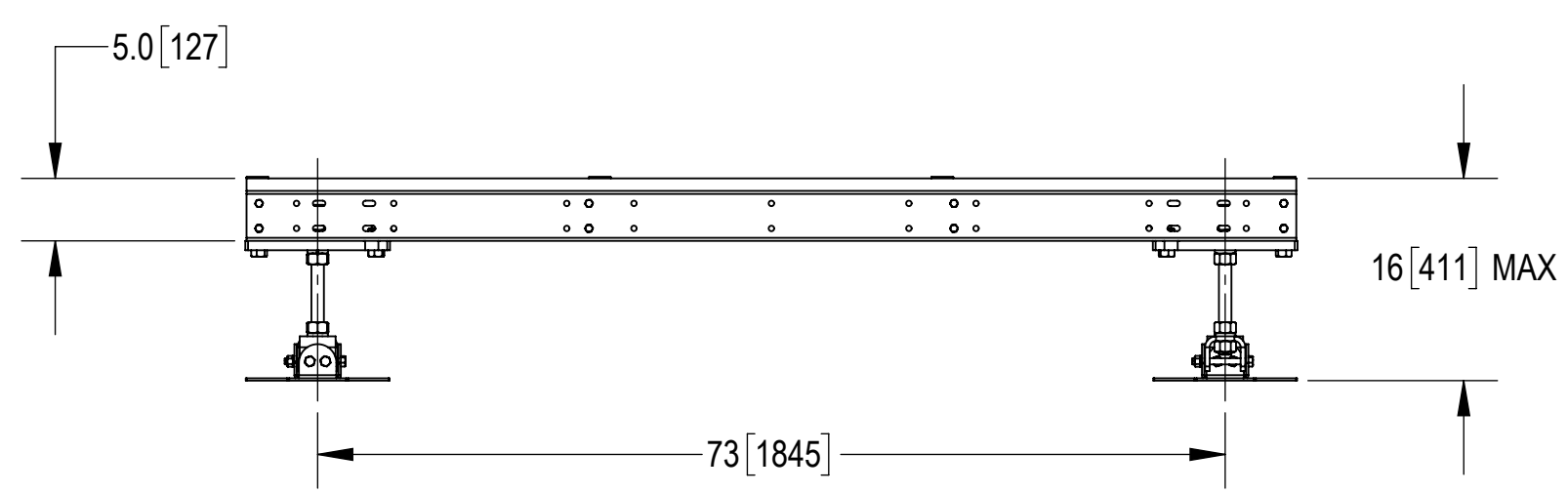
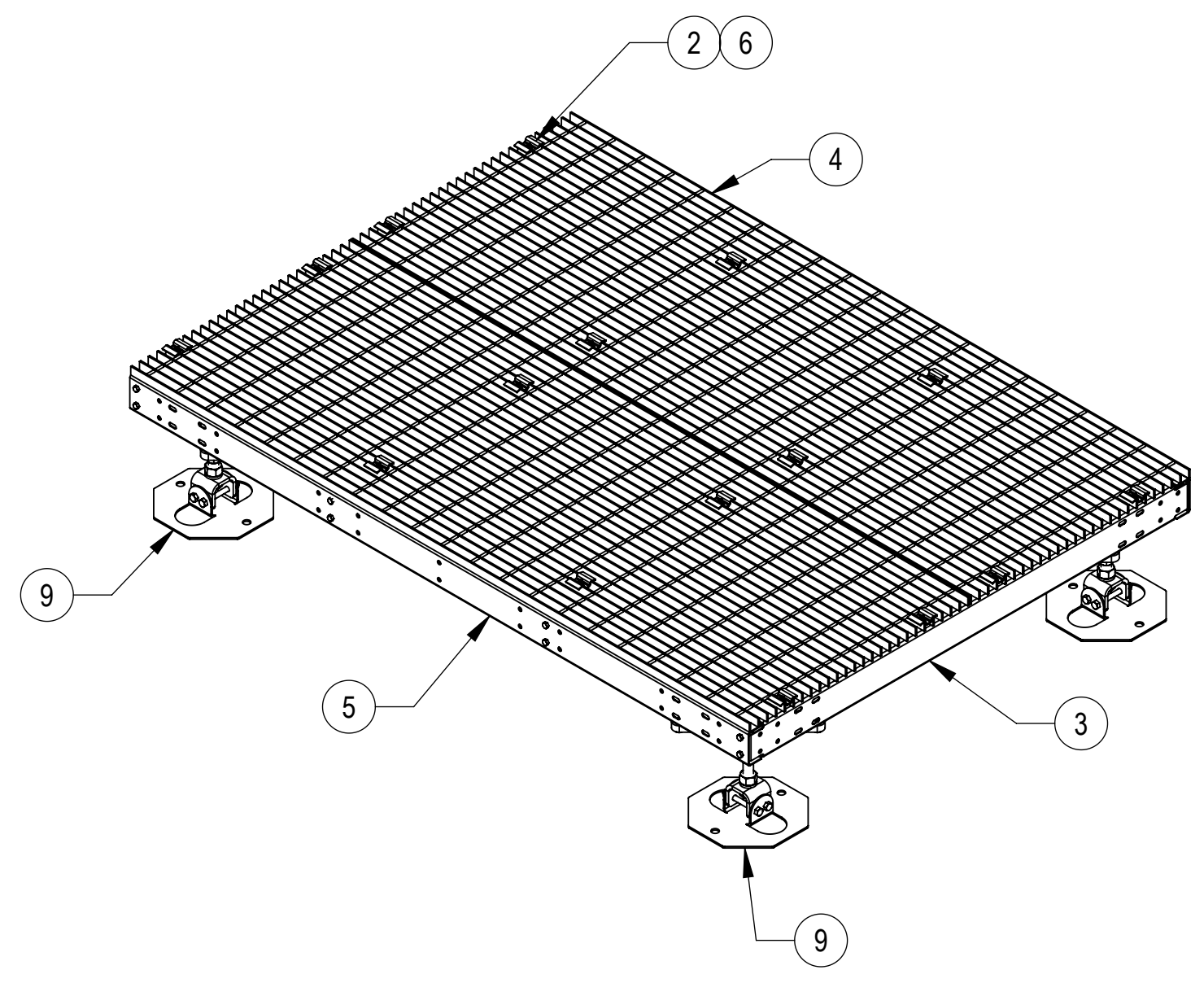
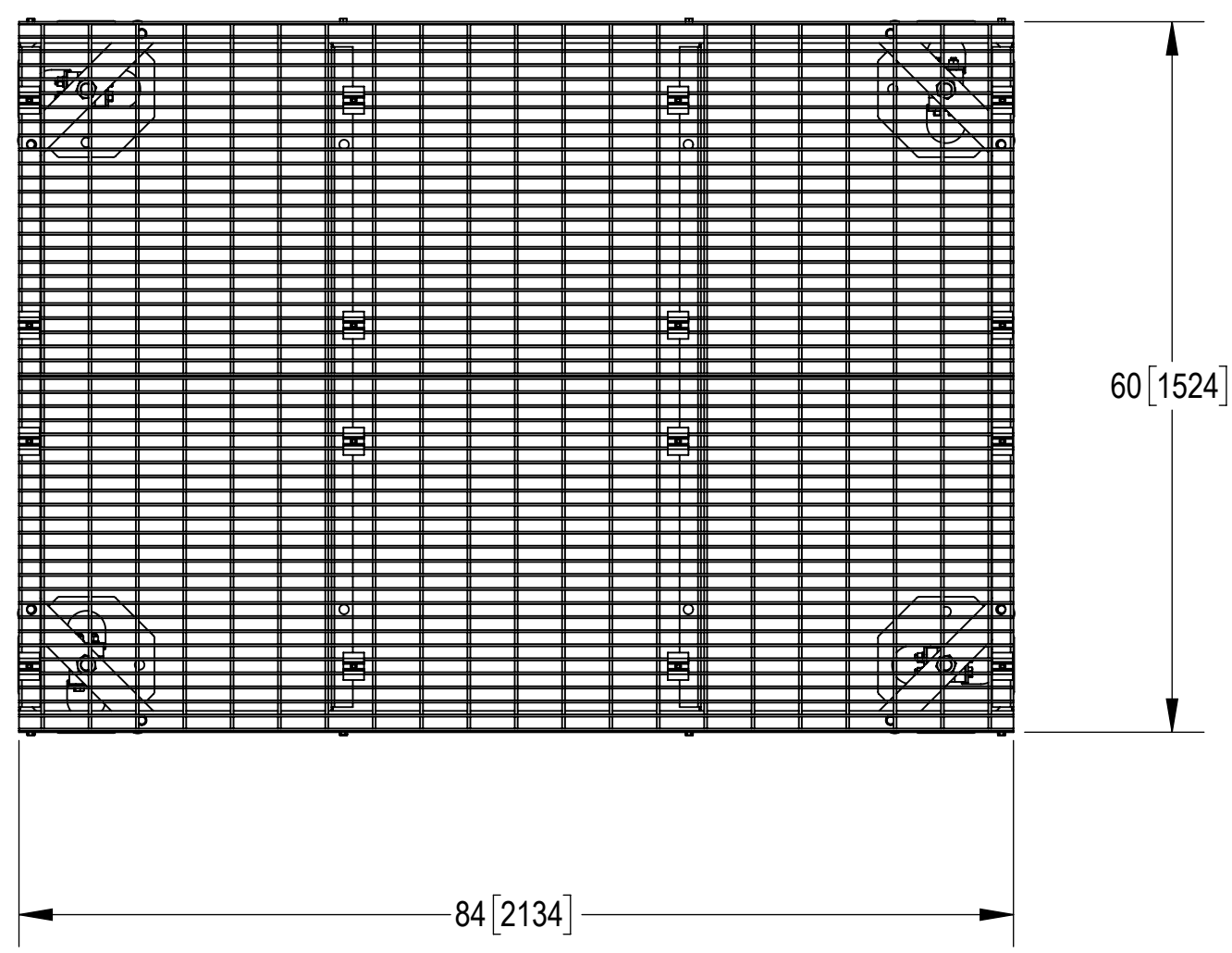
COMMScope, INC. OF NORTH CAROLINA											
TOLERANCES					SAP MATERIAL MASTER						
1 PLACE .X[X] ± .25[6.3]		3 PLACE .XXX[X] ± 0.06[0.5]			MTC4045LP						
2 PLACE .XX[X] ± 0.12[3.0]		ANGLES ± 2°			FINISH						
					MATERIAL ACCEPTABLE MATERIAL PER DRAWING MTC4124						
UNLESS OTHERWISE SPECIFIED DIMENSIONS ARE IN INCHES INTERPRET PER ANSI Y 14.5M-1994	NAME		DATE		TITLE						
	CE	RJC	10/12/2018		5X7 PLATFORM, LOW PROFILE						
	RW	JL1183	03/02/2023								
	AD	YMENG	03/02/2023		SCALE		DOCUMENT NO.				
	RE	YMENG	03/03/2023		1:15		MTC4045LP				
ECN 40140103CMO					SIZE		WORK AREA		INSL		
C					MODEL			DRAWING			SHEET 1 OF 4
					VERSION	STATUS	REVISION	VERSION	STATUS	REVISION	
					02	RE	C	06	RE	C	

4

3

2

1



COMPONENT PART NUMBERS PROVIDED FOR ASSEMBLY PURPOSES;
INDIVIDUAL COMPONENTS MAY BE SHIPPED AS PARTS WITHIN AN INCLUDED KIT.

ITEM	PART NO.	DESCRIPTION	QTY.	WEIGHT	NOTE NO.
1	GB-03105	3/8" X 1" GALV BOLT KIT	16	0.05 LBS	
2	MTC390324	BAR GRATING CLIP	16	0.17 LBS	
3	MTC392204	CHANNEL, 11 GA, 4 X 2 X 59.75	4	14.15 LBS	
4	MTC403303	30" X 84" BAR GRATING	2	122.66 LBS	
5	MTC4045B01	CHANNEL, 11 GA, 4" X 1.8" X 84.00"	2	20.26 LBS	
6	TS1220	12-24 X 2" SELF DRILLING SCREW	16	0.03 LBS	
7	EQPDF29	THREADED ROD GALV 1" X 12"	4	2.68 LBS	
8	MTCP0306CWP16	FOOTPAD CONNECTION BRACKET	4	2.07 LBS	
9	MTCP0306CWP13	12" X 12" FOOTPAD	4	5.63 LBS	
10	GWL-08	1" GALV LOCK WASHER	8	0.09 LBS	
11	GN-08	1" GALV HEX NUT	16	0.33 LBS	
12	GB-04445	1/2" X 4-1/2" GALV BOLT KIT	8	0.30 LBS	
13	MTC392217	BRACKET, FOOT MOUNTING	4	7.28 LBS	
14	GB-06205	3/4" X 2" GALV BOLT KIT	8	0.40 LBS	

COMMSCOPE, INC. OF NORTH CAROLINA				
TITLE 5X7 PLATFORM, LOW PROFILE				
SIZE C	SCALE 1:15	DOCUMENT NO. MTC4045LP		
DRAWING		VERSION	STATUS	REVISION
		06	RE	C
				SHEET 2 OF 4

© 2023 CommScope, Inc.

4

3

2

1

4

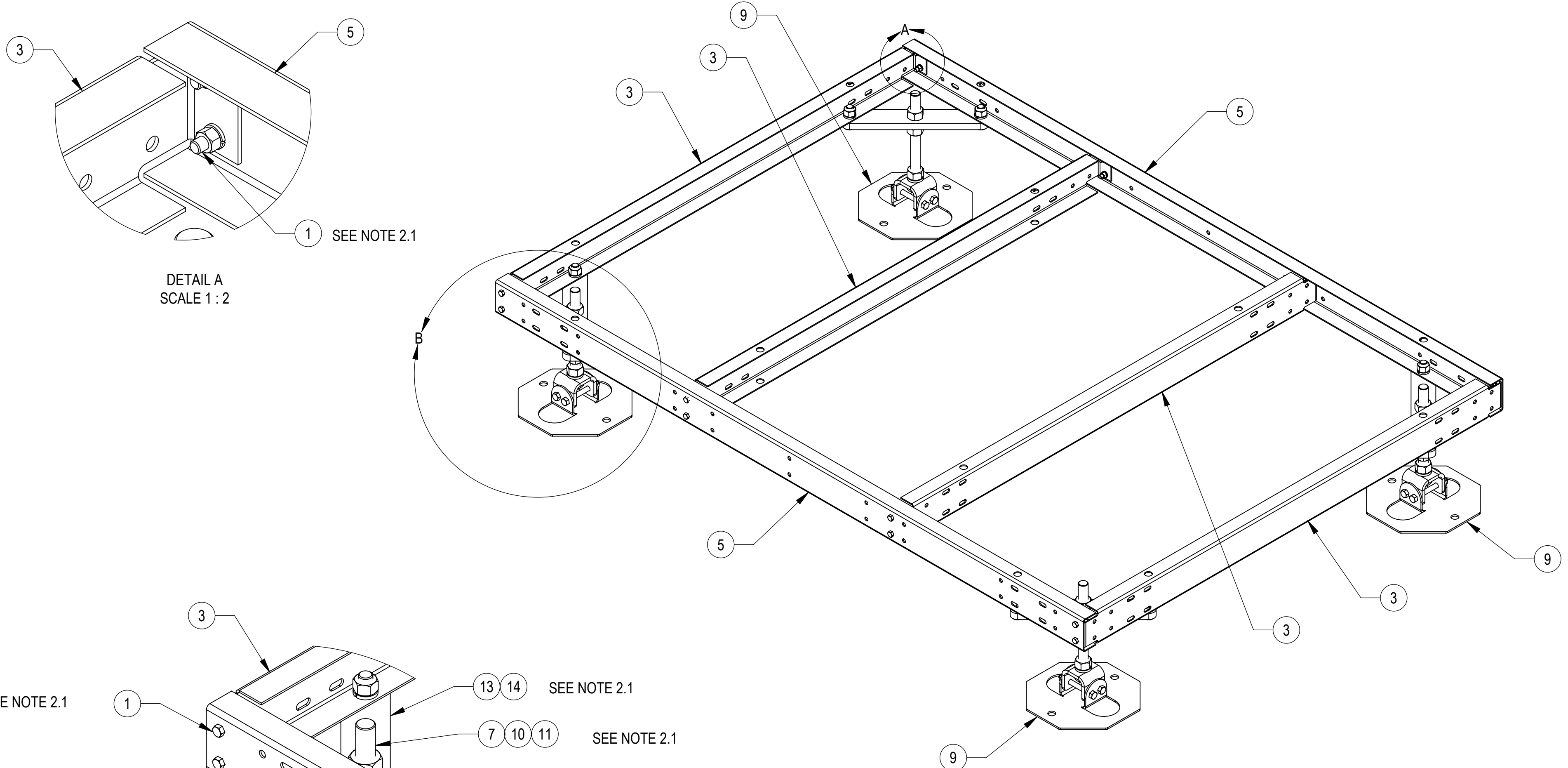
3

2

1

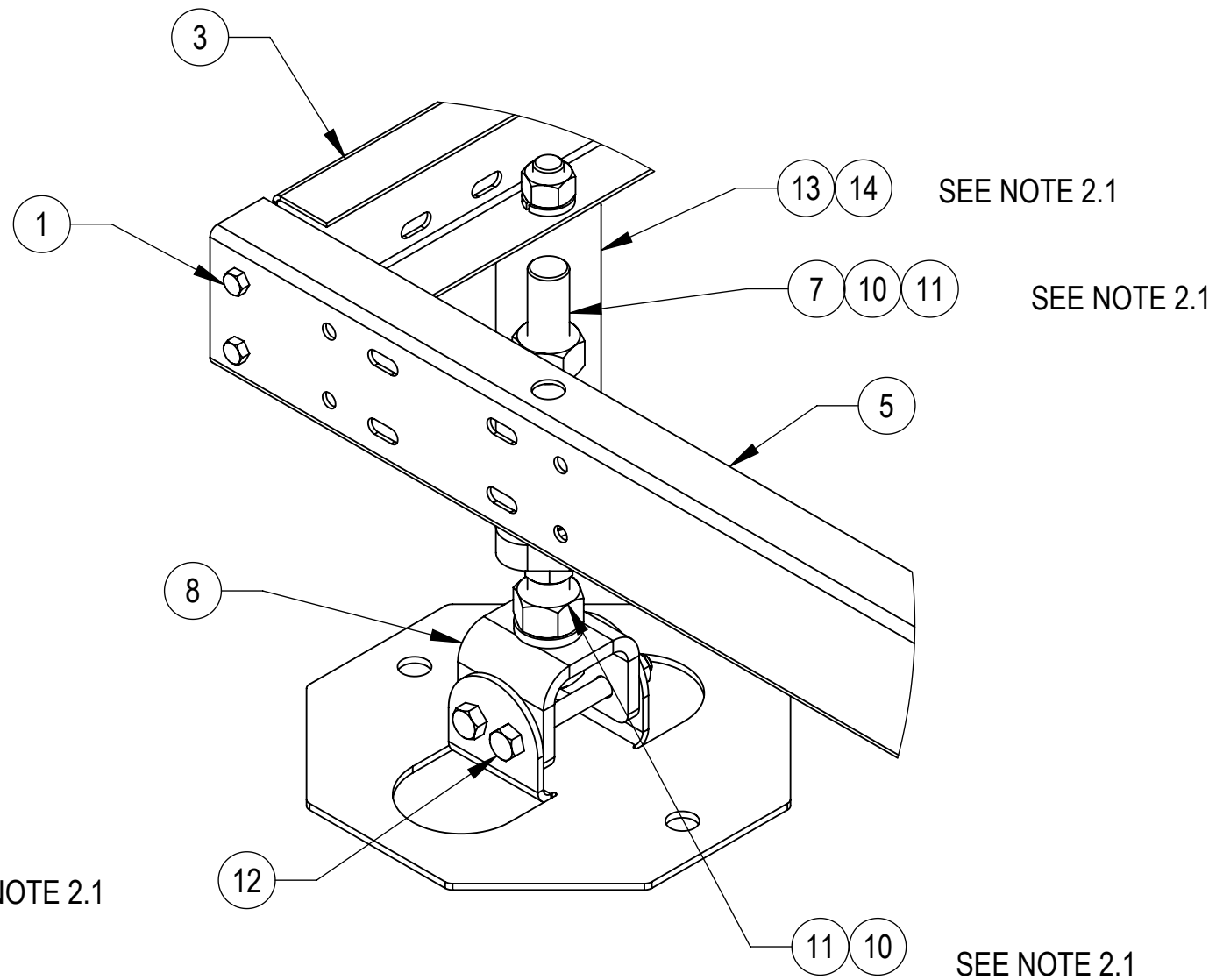
D

D



DETAIL A
SCALE 1 : 2

SEE NOTE 2.1



DETAIL B
SCALE 1 : 4

SEE NOTE 2.1

SEE NOTE 2.1

COMMSCOPE, INC. OF NORTH CAROLINA					
TITLE 5X7 PLATFORM, LOW PROFILE					
SIZE C	SCALE 1:8	DOCUMENT NO. MTC4045LP			
		DRAWING			SHEET 3 OF 4
		VERSION 06	STATUS RE	REVISION C	

© 2023 CommScope, Inc.

4

3

2

1

A

A

4

3

2

1

D

D

C

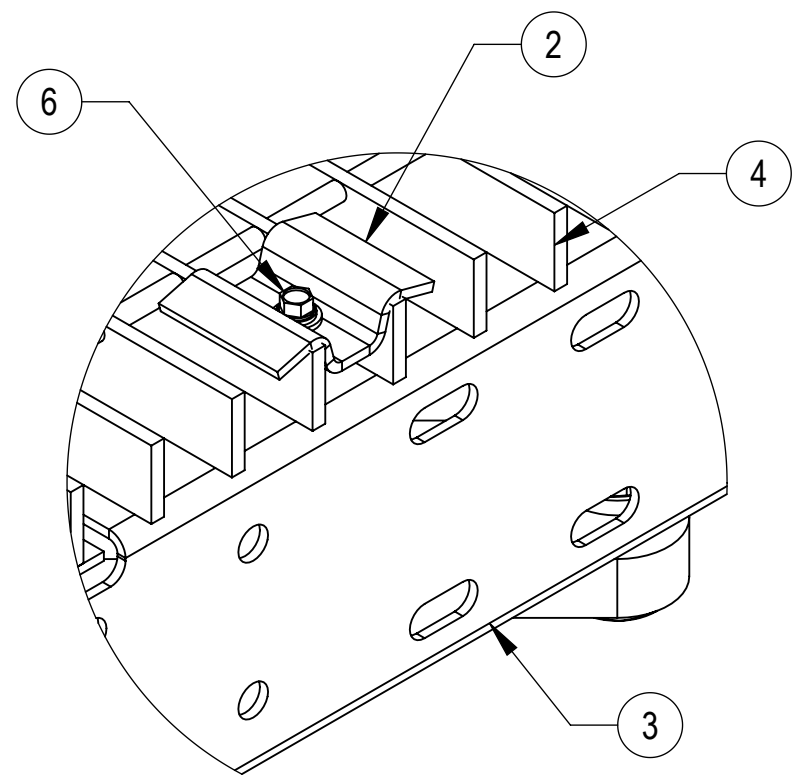
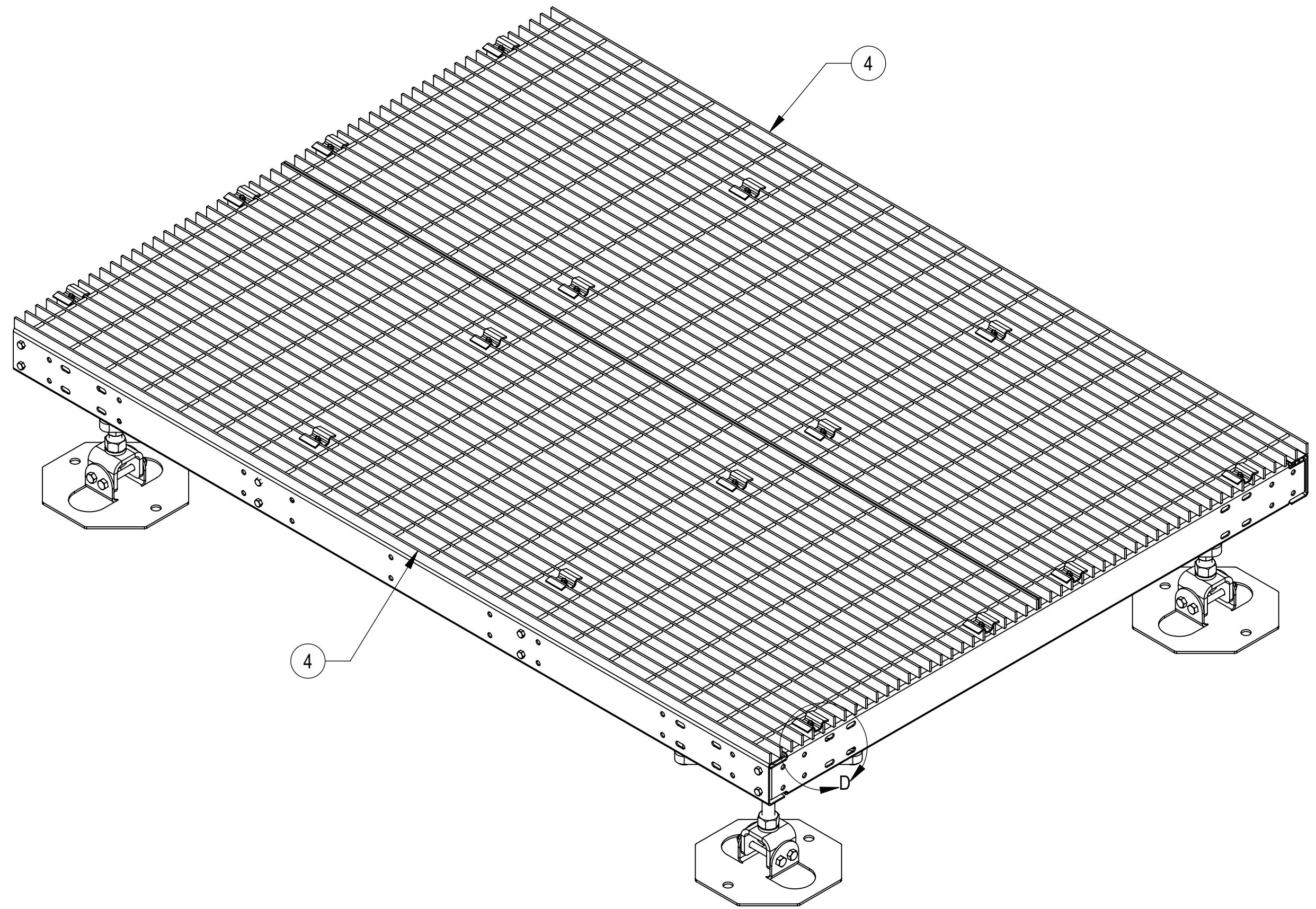
C

B

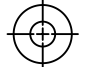
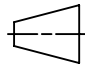
B

A

A



DETAIL D
SCALE 1:2

COMMSCOPE, INC. OF NORTH CAROLINA					
TITLE 5X7 PLATFORM, LOW PROFILE					
SIZE C	SCALE 1:8	DOCUMENT NO. MTC4045LP			
 		DRAWING			SHEET 4 OF 4
		VERSION 06	STATUS RE	REVISION C	

© 2023 CommScope, Inc.

4

3

2

1

