

4

3

2

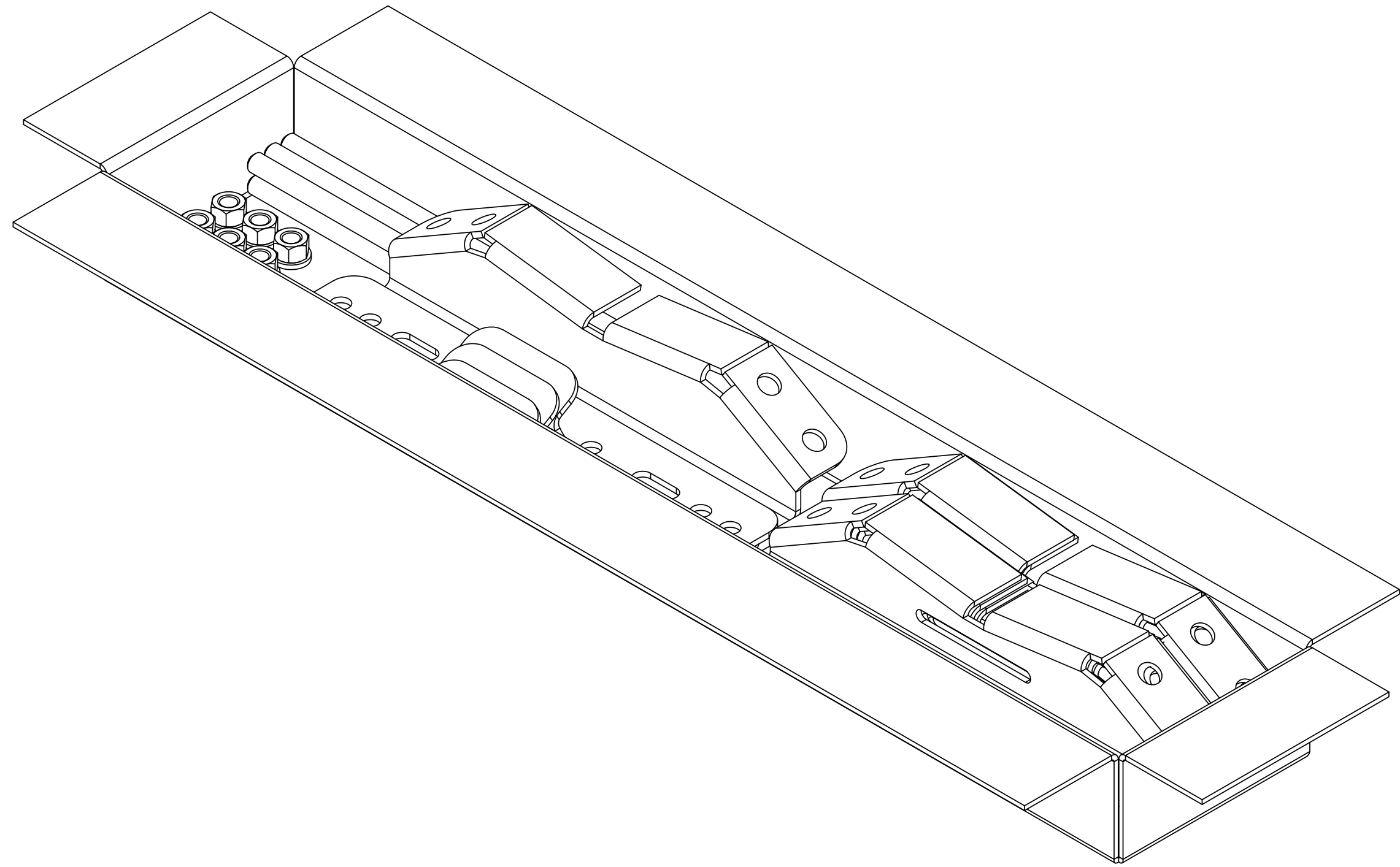
1

NOTES:

- 1.0 CUSTOMER ASSEMBLY SHEET 2-3.
- 2.0 PLACE ALL LOOSE HARDWARE INTO POLYBAGS AS NEEDED.
- 3.0 ANTENNA PIM MAY BE AFFECTED WITH THE USE OF ALTERNATE ANTENNA BRACKETS.



REVISIONS				
REV.	ECN	DESCRIPTION	BY	DATE
A	800007957	INITIAL RELEASE	MSM	04/29/15
B	800009336	ADD STANDOFF DIMS AND HOLE SPACING	MSM	07/23/15
C	8000016792	UDPATE ITEMS 2 AND 3	MSM	10/20/16
D	8000023635	UPDATED NOTES	DRR	06/01/17



ITEM	PART NO.	DESCRIPTION	QTY.	WEIGHT	NOTE NO.
1	BXGB2	BOX KRAFT:24.50 X 4.5 X 2.25 (EA)	1	0.21 LBS	
2	MTC371304	UNIVERSAL ANTENNA LWR CON MNT BRKT	3	1.52 LBS	
3	MTC371306	ANTENNA HANGING BRACKET	3	0.84 LBS	
4	MTC371305	UNIVERSAL ANTENNA UPPER CONCEALMENT MNT BRKT	3	1.07 LBS	
5	GD03950	3/8" X 9-1/2" GALV THREADED ROD	6	0.29 LBS	
6	GWL-03	3/8" GALV LOCK WASHER	12	0.01 LBS	1
7	GN-03	3/8" GALV HEX NUT	12	0.02 LBS	1
8	DOCUMENT RECORD	INSERT DRAWING MTC3713 INOT BOX	1	-	

DENSITY	0.16	lbs/in <sup>3</sup>
MASS	12.56	lbs
VOLUME		in <sup>3</sup>
SURFACE AREA	1485.12	in <sup>2</sup>
HEIGHT		
LENGTH		
WIDTH		

**COMMSCOPE, INC. OF NORTH CAROLINA**

TOLERANCES		SAP MATERIAL MASTER	
0 PLACE X ± .25	2 PLACE .XX ± .06	<b>MTC3713</b>	
1 PLACE .X ± .12	ANGLES ± 2°		
FINISH		MATERIAL	
GALV A123		A36	
UNLESS OTHERWISE SPECIFIED DIMENSIONS ARE IN MILLIMETERS INTERPRET PER ISO STANDARDS HANDBOOK TECHNICAL DRAWINGS VOLUMES 1 & 2, THIRD EDITION (2002)	NAME	DATE	TITLE
	CE MSM	04/29/15	<b>UNIVERSAL CONCEALMENT ANTENNA MOUNT</b>
	RW		
	RV		
	AD		
RE TP	04/29/15	SCALE	DOCUMENT NO.
ECN 800009336		<b>1:2</b>	<b>MTC3713</b>
SIZE	WORK AREA	MODEL	
<b>C</b>		VERSION	DRAWING
		STATUS	REVISION
		VERSION	STATUS
		REVISION	
			SHEET
			1 OF 3

4

3

2

1

4

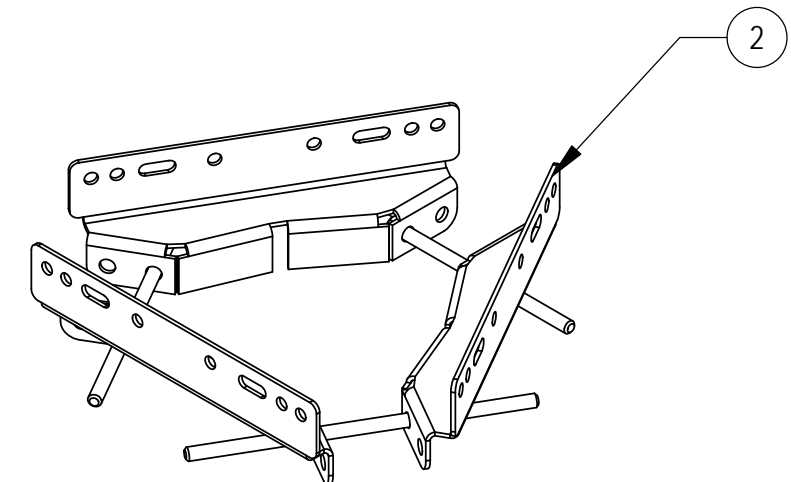
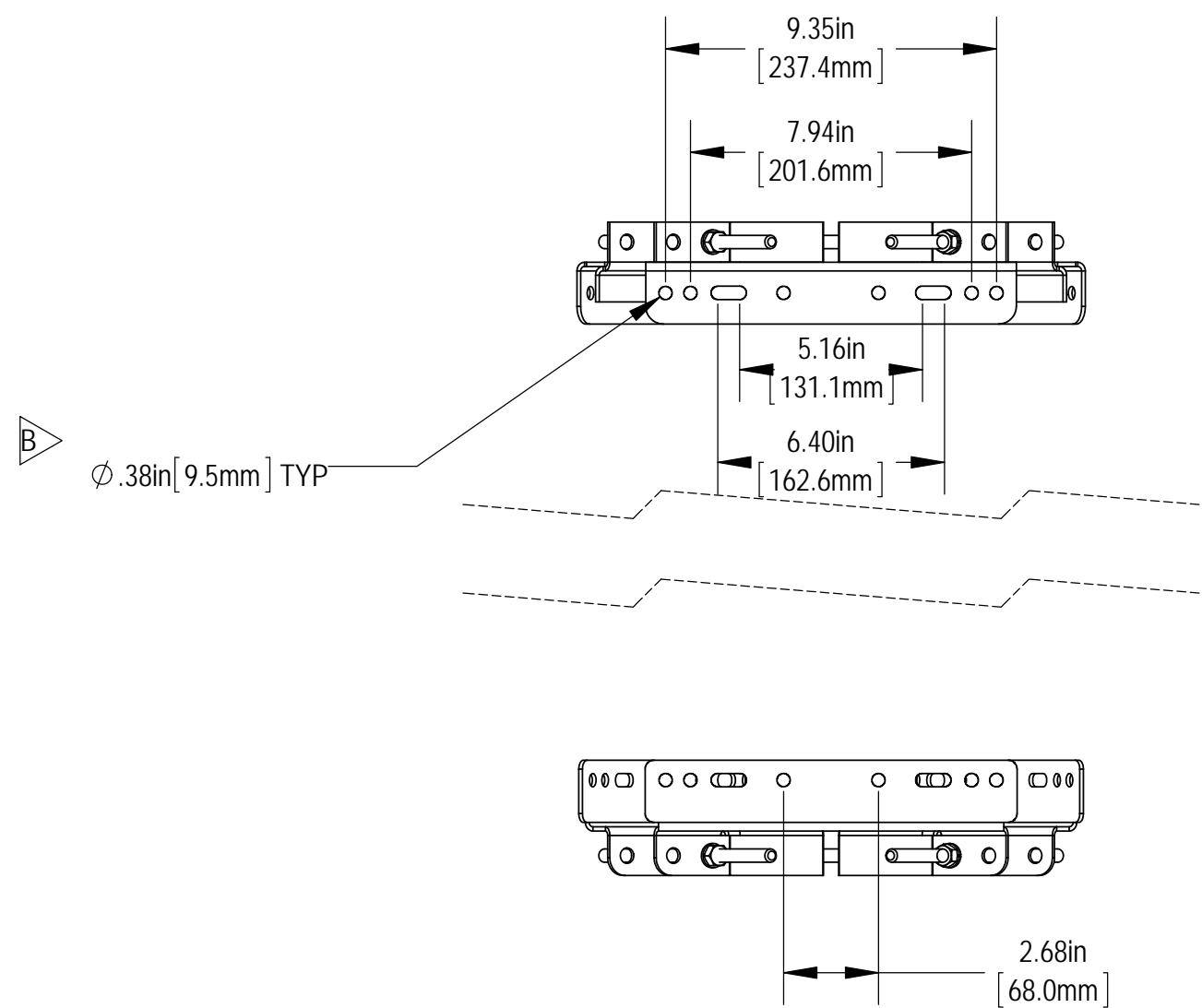
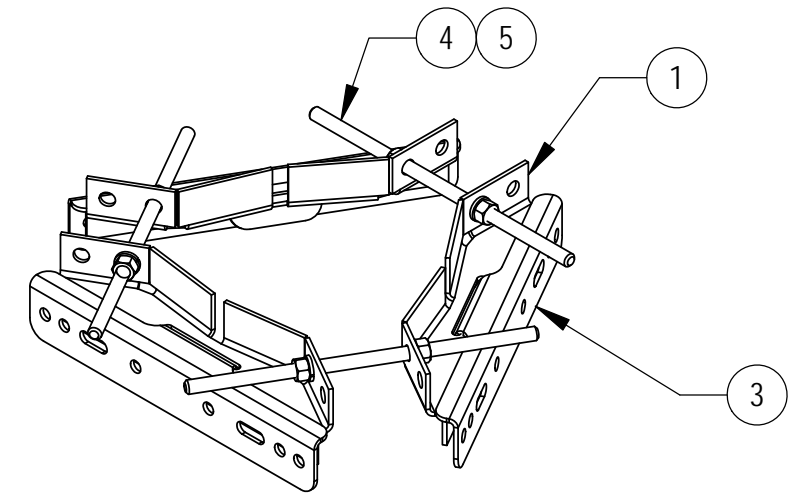
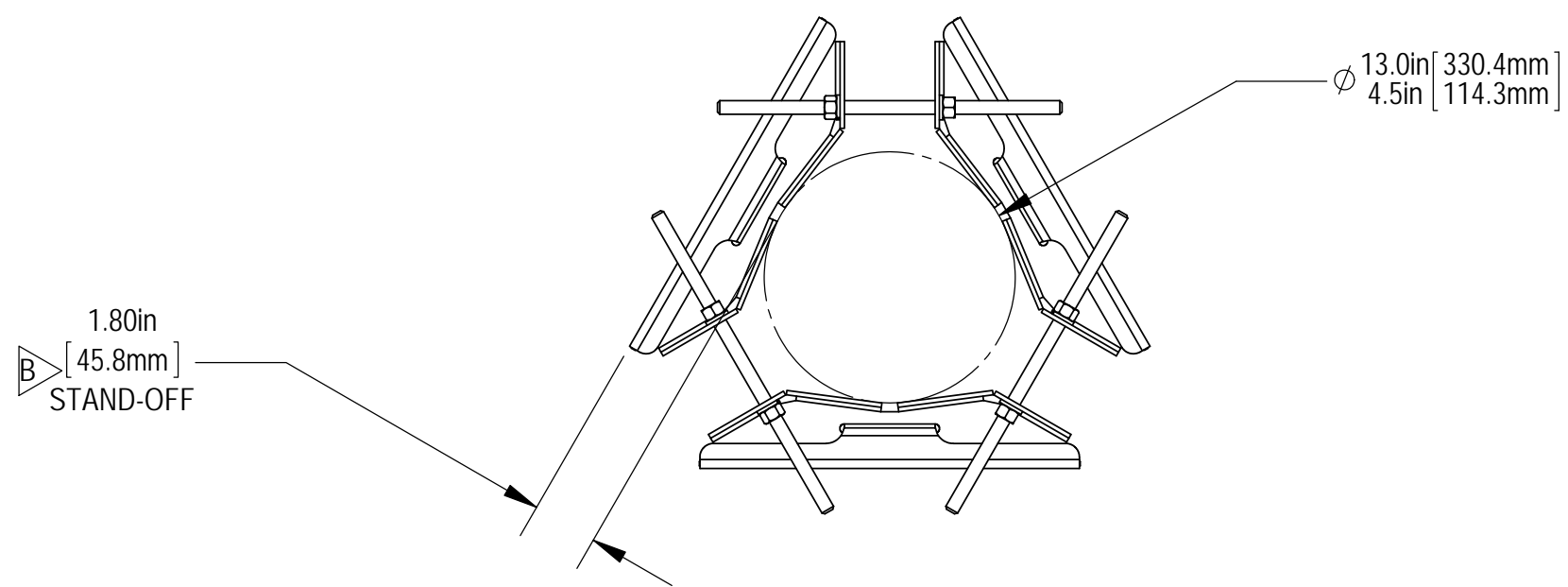
3

2

1

NOTES:

- 1.0 FITS CONCEALMENT SHAFTS 4.5"OD - 13.0"OD.
- 2.0 FITS ANTENNAS COMMSCOPE SBNH, SBNHH.
- 3.0 MAY HAVE TO CUT THREADED ROD DEPENDING ON SHAFT SIZE.



ITEM	PART NO.	DESCRIPTION	QTY.	WEIGHT	NOTE NO.
1	MTC371305	UNIVERSAL ANTENNA UPPER CONCEALMENT MNT BRKT	3	1.07 LBS	
2	MTC371304	UNIVERSAL ANTENNA LWR CON MNT BRKT	3	1.52 LBS	
3	MTC371306	ANTENNA HANGING BRACKET	3	0.84 LBS	
4	GD03950	3/8" X 9-1/2" GALV THREADED ROD	6	0.29 LBS	3
5	GWL-03	3/8" GALV LOCK WASHER	12	0.01 LBS	
6	GN-03	3/8" GALV HEX NUT	12	0.02 LBS	

COMMSCOPE, INC. OF NORTH CAROLINA

TITLE  
**UNIVERSAL CONCEALMENT ANTENNA MOUNT**

SIZE **C** SCALE **1:1** DOCUMENT NO. **MTC3713**

DRAWING			SHEET 2 OF 3
VERSION	STATUS	REVISION	
		D	

4

3

2

1

4

3

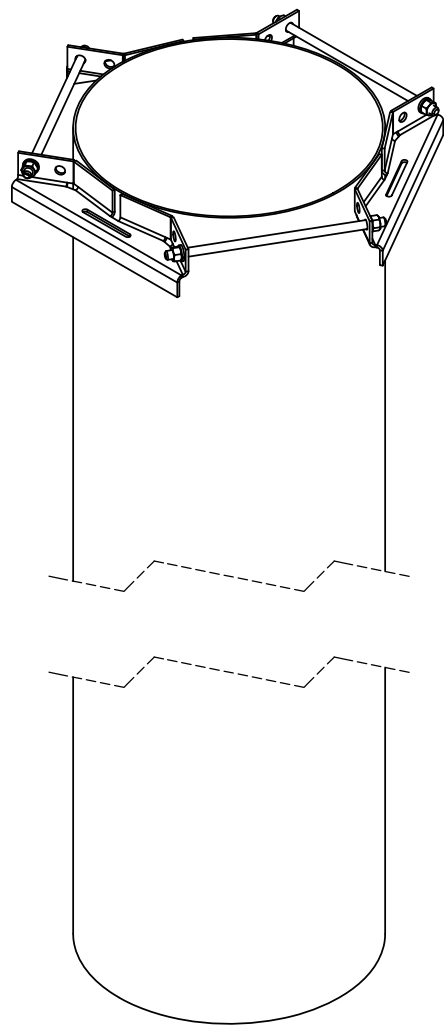
2

1

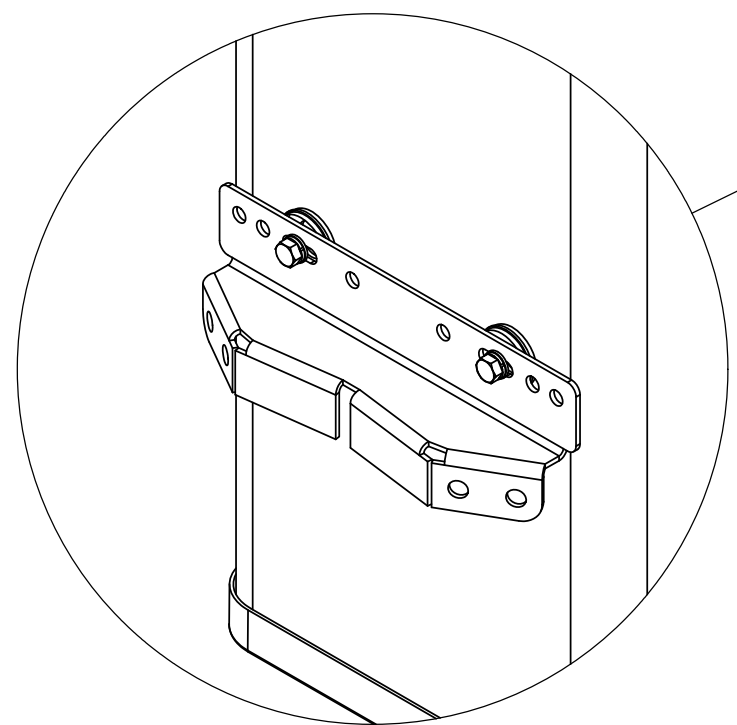
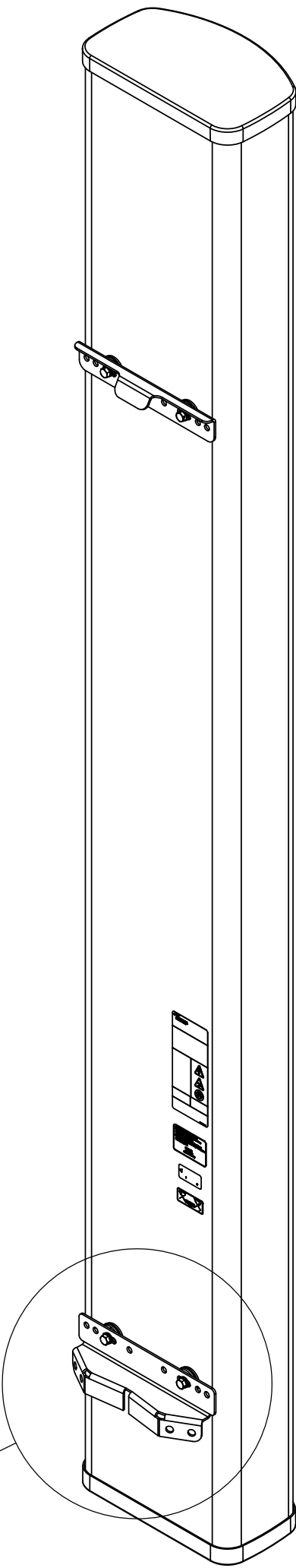
NOTES:

- 1.0 MOUNT TOP BRACKET THEN HANG ANTENNA.
- 2.0 CUSTOMER WILL USE EXISTING HARDWARE FROM ANTENNA FOR MOUNTING ANTENNA TO BRACKETS.
- 3.0 ANTENNA PIM MAY BE AFFECTED WITH THE USE OF ALTERNATE ANTENNA BRACKETS.

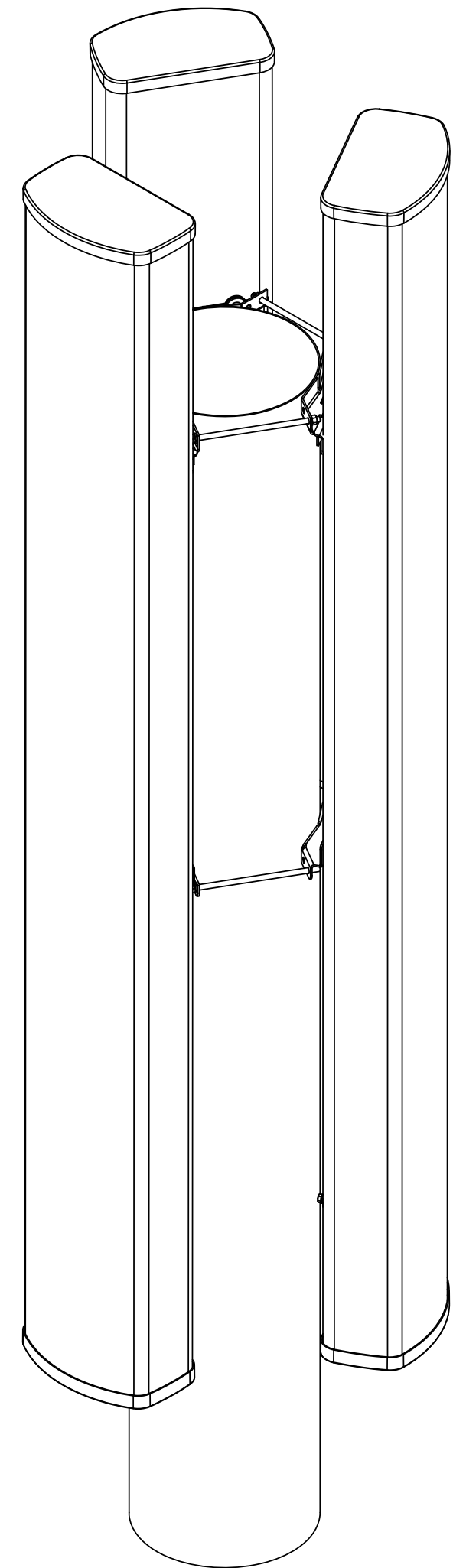
SEE NOTE 1



SEE NOTE 2



DETAIL A  
SCALE 1 : 4



COMMSCOPE, INC. OF NORTH CAROLINA				
TITLE UNIVERSAL CONCEALMENT ANTENNA MOUNT				
SIZE <b>C</b>	SCALE <b>1:8</b>	DOCUMENT NO. <b>MTC3713</b>		
		DRAWING		SHEET
		VERSION	STATUS	REVISION
				D
				3 OF 3

4

3

2

1