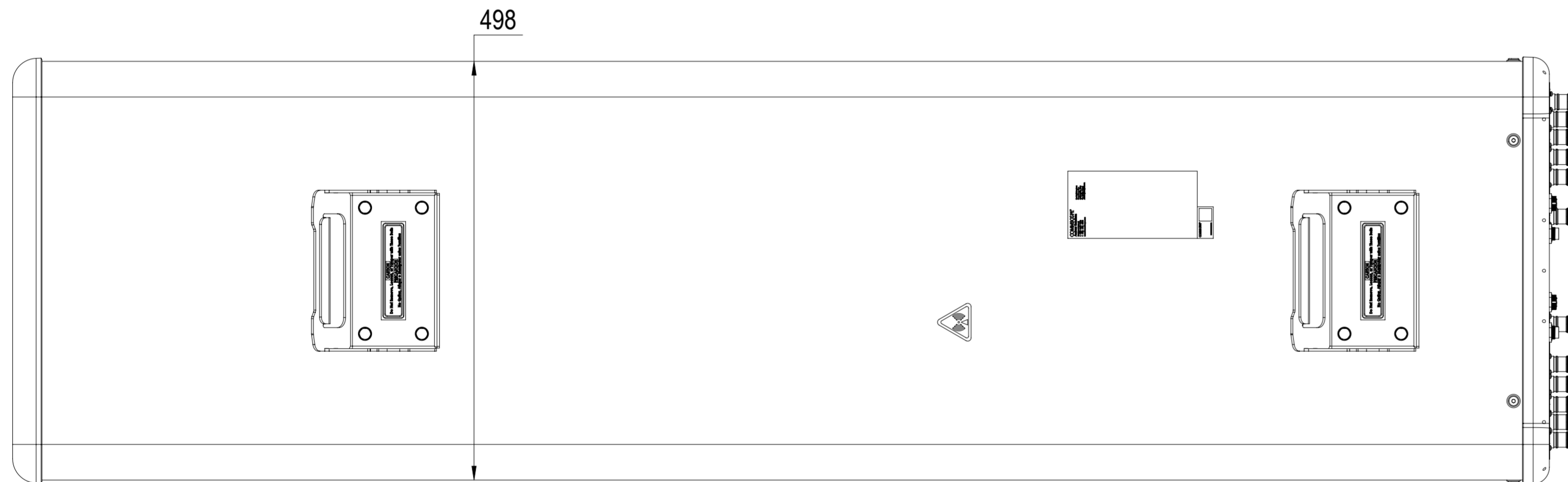
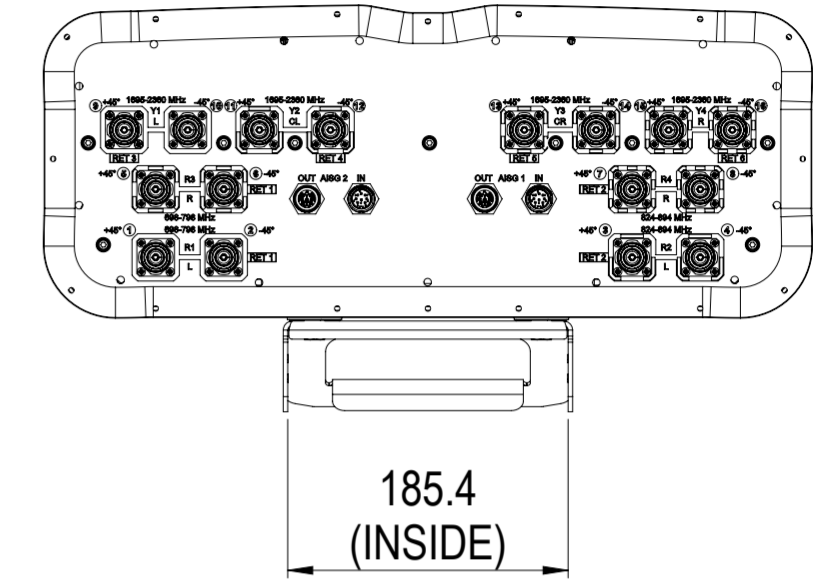
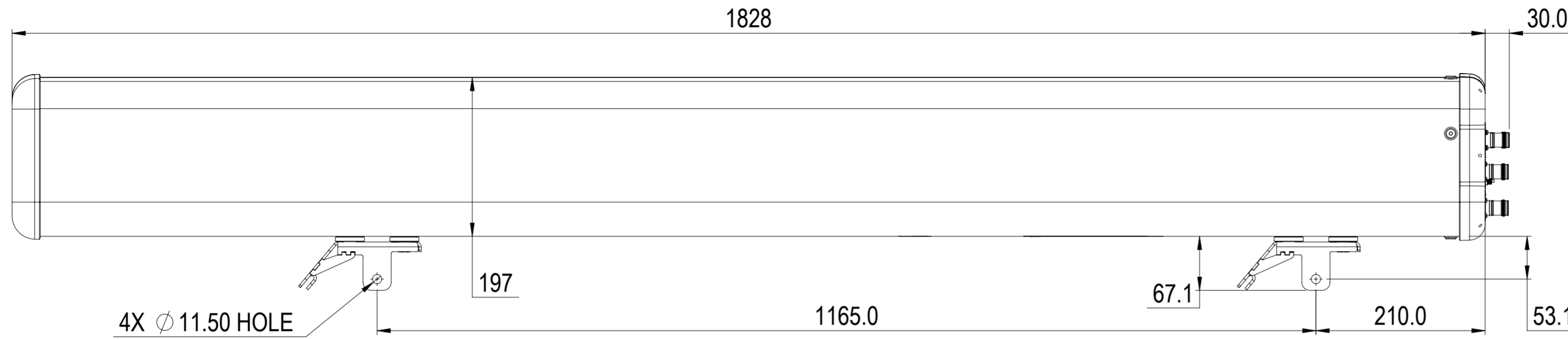

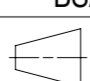


REVISIONS			
REV.	DESCRIPTION	DATE	APPROVED
A	ECR 16444: RELEASE TO PRODUCTION PER EAO 610620.	07FEB22 PBS	NJ/JT



JJAAH4-65B-R6

COMMSCOPE, INC. OF NORTH CAROLINA			
TOLERANCES		SAP MATERIAL MASTER	
0 PLACE X ±	2 PLACE .XX ±		
1 PLACE .X ±	ANGLES ±		
FINISH N/A	MATERIAL		
<small>UNLESS OTHERWISE SPECIFIED DIMENSIONS ARE IN MILLIMETERS INTERPRET PER ISO STANDARDS HANDBOOK TECHNICAL DRAWINGS, VOLUMES 1 & 2, THIRD EDITION (2002)</small>	NAME	DATE	TITLE
	CE PSHARMA2	03FEB2022	PRODUCT DRAWING
	RW PSHARMA2	02/07/2022	
	AD SMADDULA	02/11/2022	SCALE: 1:5
	RE RK1070	02/11/2022	
ECN 16444PC		DOCUMENT NO. JJAAH4-65B-R6-L	
SIZE	Auth Group	BSA	MODEL
A2	 	VERSION	STATUS
		00	RE
DRAWING		REVISION	VERSION
STATUS		REVISION	VERSION
RE		A	00
REVISION		REVISION	REVISION
A		A	A
SHEET			1 OF 1