

THIS DRAWING IS UNPUBLISHED.

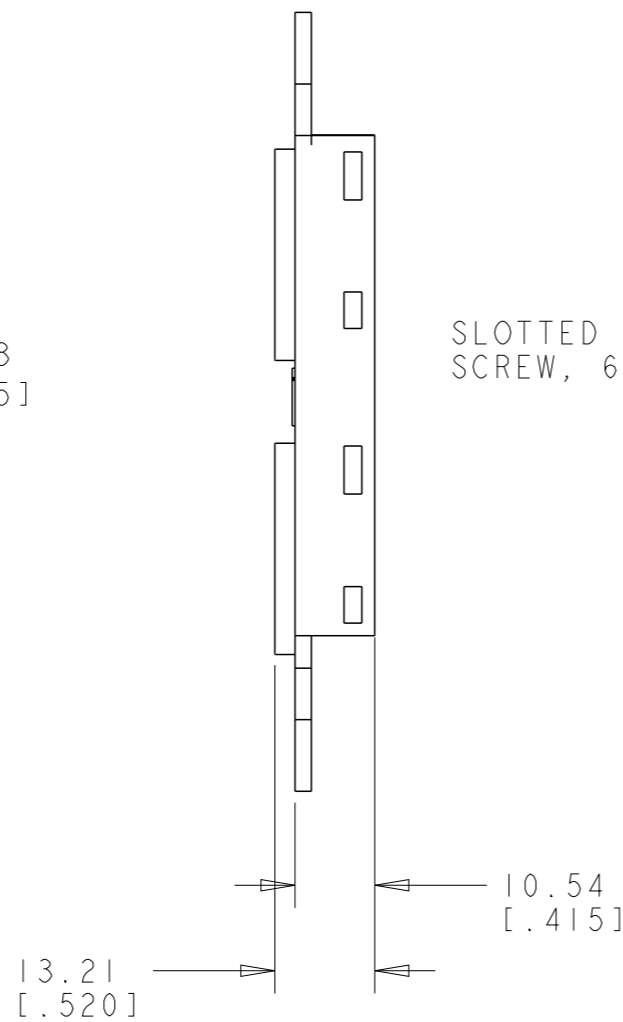
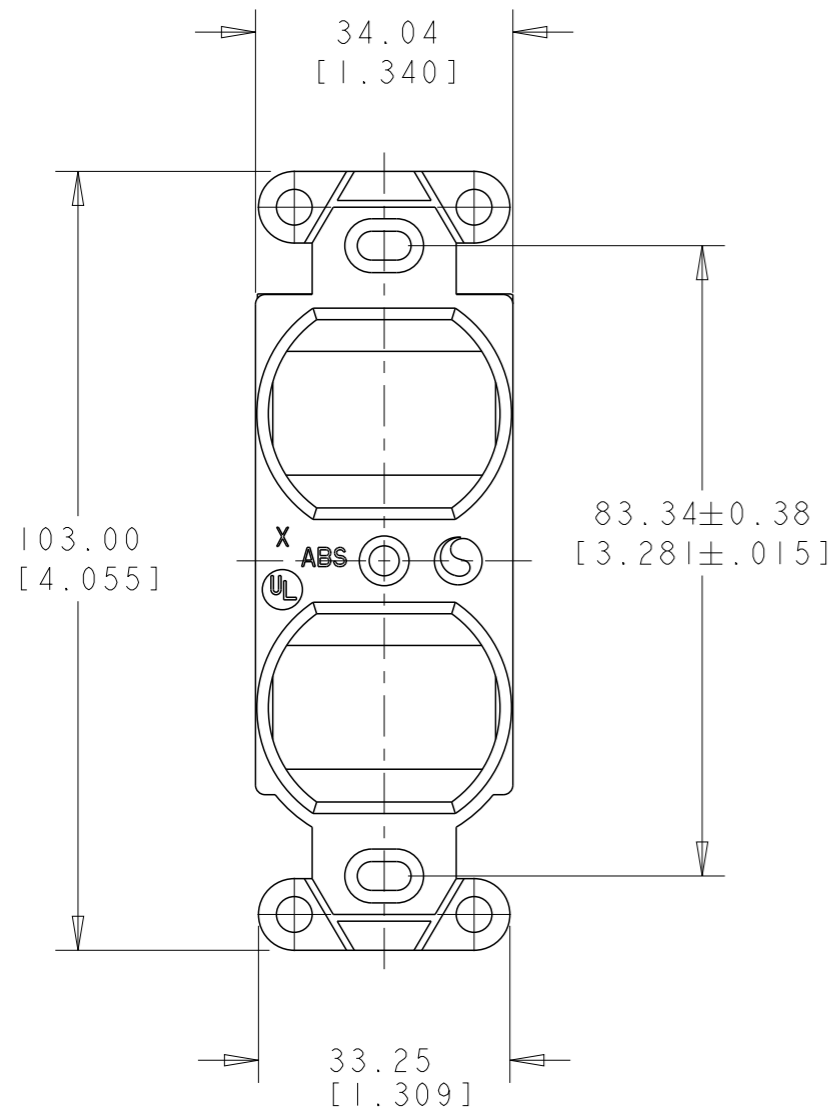
RELEASED FOR PUBLICATION

© 2016 COMMScope, INC. CONFIDENTIAL

NOTICE: THESE DRAWINGS AND SPECIFICATIONS ARE THE PROPRIETARY PROPERTY OF COMMScope, INC. AND MAY BE USED ONLY FOR THE SPECIFIC PURPOSE AUTHORIZED IN WRITING BY COMMScope, INC.

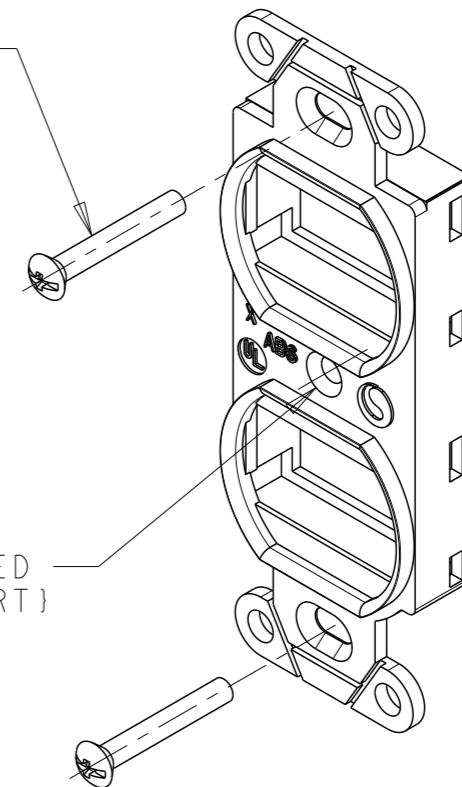
REVISIONS

P	LTR	DESCRIPTION	DATE	DWN	APVD
	D	ECO-13-019955	26DEC2013	JM	RA
	E	REV; 40032662MCO	03AUG2016	GG	LS



SLOTTED FLAT HEAD SELF-TAPPING SCREW, 6-32 X 22.35 (.88) LONG QUANTITY 2.

6-32 THREADED INSERT



⚠ MATERIAL:
 MOUNTING STRAP: ABS MOLDING COMPOUND. SEE TABLE FOR COLOR.
 SCREWS: ZINC PLATED CARBON STEEL.
 THREADED INSERT: BRASS.

2. THREADED INSERT IS INSTALLED IN MOUNTING STRAP. OTHERWISE KIT IS SHIPPED UNASSEMBLED.

ALPINE WHITE	I-1339120-3
ELEC IVORY	I-1339120-1
NEMA GRAY	1339120-4
WHITE	1339120-3
BLACK	1339120-2
LT ALMOND	1339120-1
COLOR	PART NO.

THIS DRAWING IS A CONTROLLED DOCUMENT.

DWN R. MARTIN 05APR99

CHK R. MARTIN 05APR99

APVD -

PRODUCT SPEC -

APPLICATION SPEC -

WEIGHT -

CUSTOMER DRAWING

NAME -

KIT, 4 PORT DUPLEX STRAP

SIZE A3

CAGE CODE -

DRAWING NO. C-1339120

RESTRICTED TO -

SCALE 1:1 SHEET 1 OF 1 REV E

DIMENSIONS: MM [INCHES]	TOLERANCES UNLESS OTHERWISE SPECIFIED:
	0 PLC ±-
	1 PLC ±-
	2 PLC ±0.25 [.01]
	3 PLC ±-
	4 PLC ±-
ANGLES ±-	
MATERIAL -	FINISH -

COMMScope, INC.