

4

3

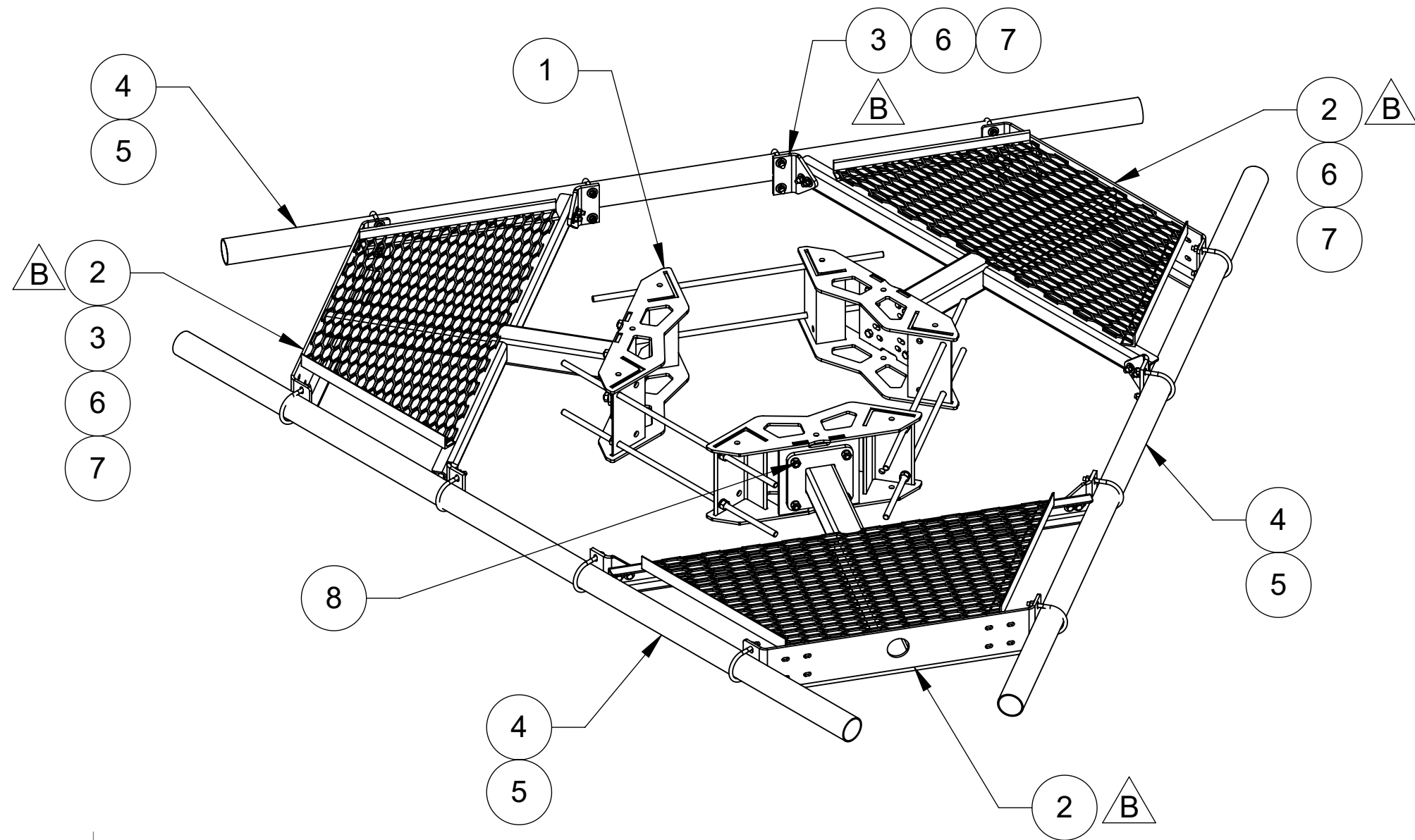
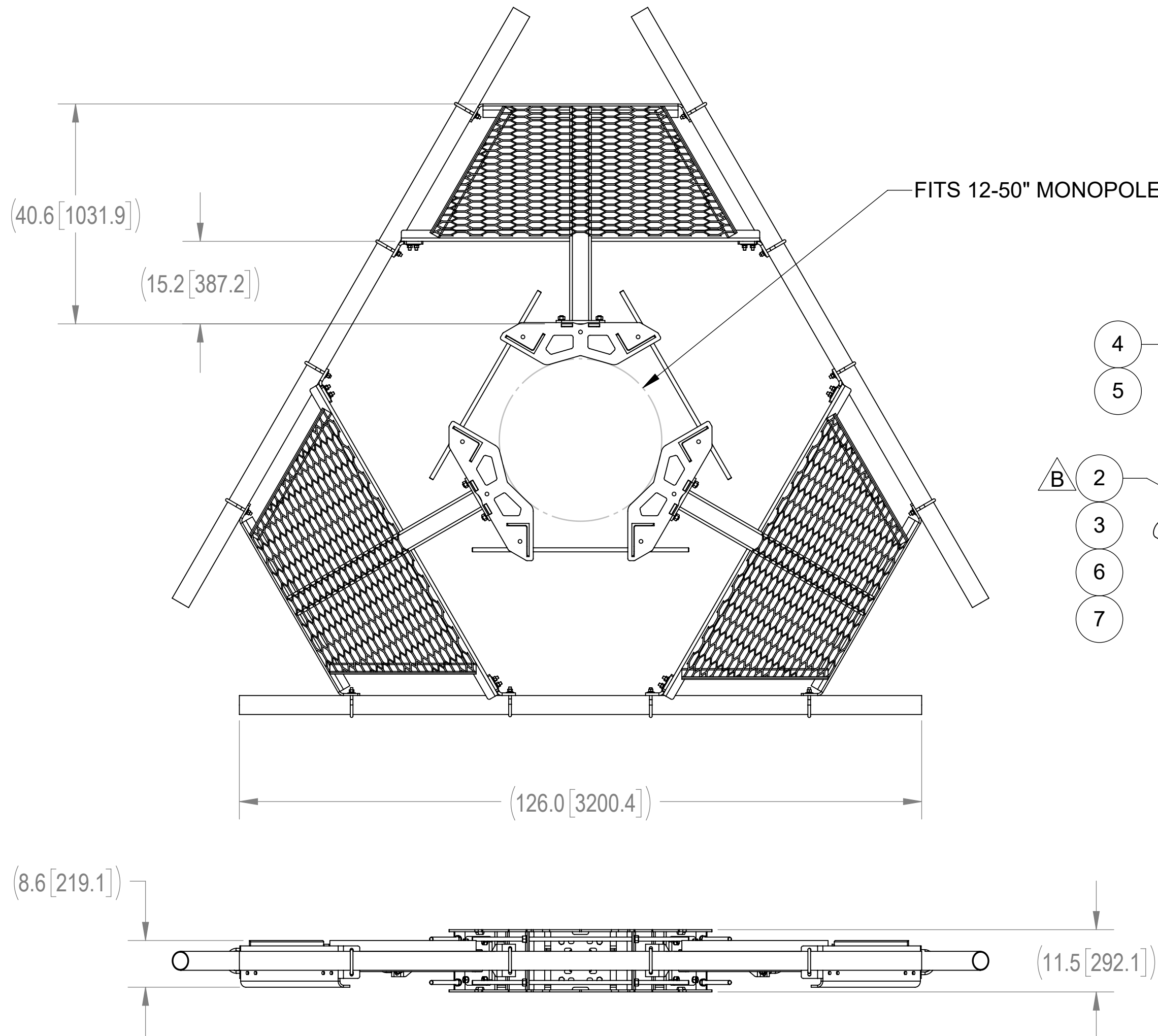
2

1

NOTES:

- 1.0 GENERAL
 - 1.1 ALL METRIC DIMENSIONS ARE IN BRACKETS
 - 1.2 FOR PATENTS, SEE WWW.CS-PAT.COM
- 2.0 DESIGN NOTES
- 3.0 MANUFACTURING/SPECIAL REQUIREMENTS
- 4.0 TEST
- 5.0 PACKAGING

REVISIONS				
REV.	ECN	DESCRIPTION	BY	DATE
A	8000026787	INITIAL RELEASE	MRC	04/05/18
B	8000039257	UPDATED WELDMENT SNUB NOSE & UPDATED PIPE MOUNT PLATE	MRC	02/13/20



ITEM	PART NO.	DESCRIPTION	QTY.	NOTE NO.
1	MC-RM1550-3	12" - 50" OD RINGMOUNT	1	
2	MTC300602	LOW PROFILE CO-LOCATION PLTFM SNUB NOSE	3	
3	MTC300618	MT196 Pipe Mount Plate	6	
4	MT-547-126	Ø 3.5" O.D. X 126 PIPE	3	
5	GUB-4355	1/2" X 3-5/8" X 5" GALV U-BOLT	12	
6	GB-04205	1/2" X 2" GALV BOLT KIT	12	
7	GWF-04	1/2" GALV FLAT WASHER	24	
8	GB-0520A	5/8" X 2" GALV BOLT KIT (A325)	12	

PATENT PENDING

COMMSCOPE, INC. OF NORTH CAROLINA

TOLERANCES		SAP MATERIAL MASTER	
0 PLACE X ± .25	2 PLACE .XX ± 0.06	MC-PK10-B	
1 PLACE X ± 0.12	ANGLES ± 2°		
FINISH GALV A123		MATERIAL A500, A1011/A1018	
UNLESS OTHERWISE SPECIFIED DIMENSIONS ARE IN INCHES INTERPRET PER ANSI Y 14.5M-1994	NAME	DATE	TITLE
	CE MRC	02/13/20	10'6" FACE SNUB NOSE PLATFORM
	RW MC1107	02/27/2020	
	RV	02/27/2020	
	AD BCAMPBELLCON	02/27/2020	
RE FA1024	02/27/2020		
ECN 008000039257	SCALE 1:18	DOCUMENT NO. MC-PK10-B	
SIZE WORK AREA 24	MODEL		DRAWING
C	VERSION 01	STATUS RE	REVISION B
	VERSION 01	STATUS RE	REVISION B
			SHEET 1 OF 1

DENSITY	0.12	lbs/in ³
MASS	909.20	lbs
VOLUME		in ³
SURFACE AREA		in ²
HEIGHT		
LENGTH		
WIDTH		