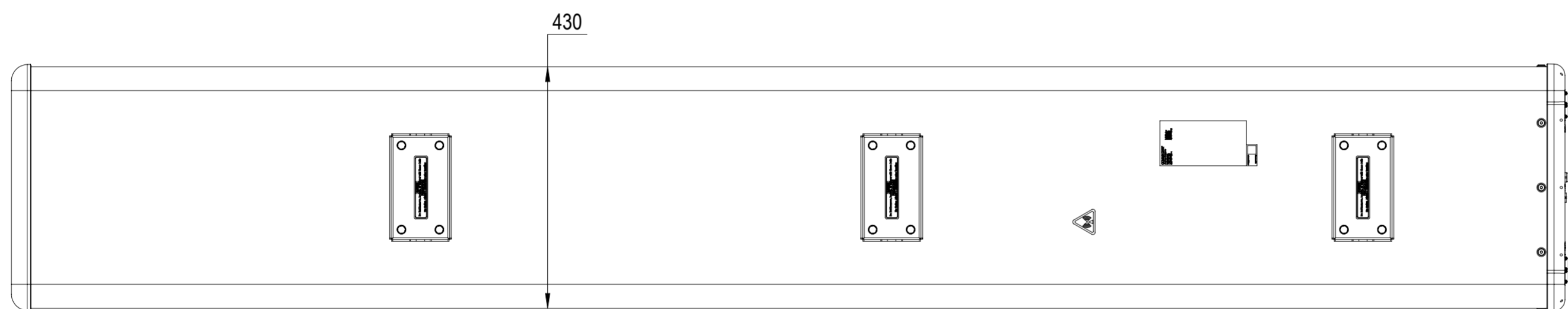
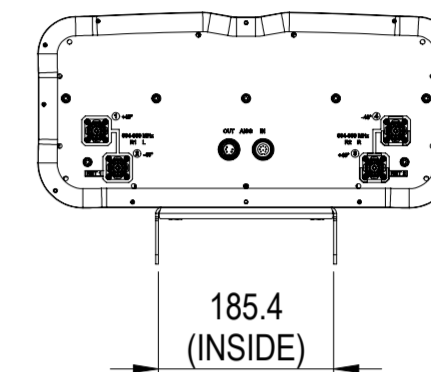
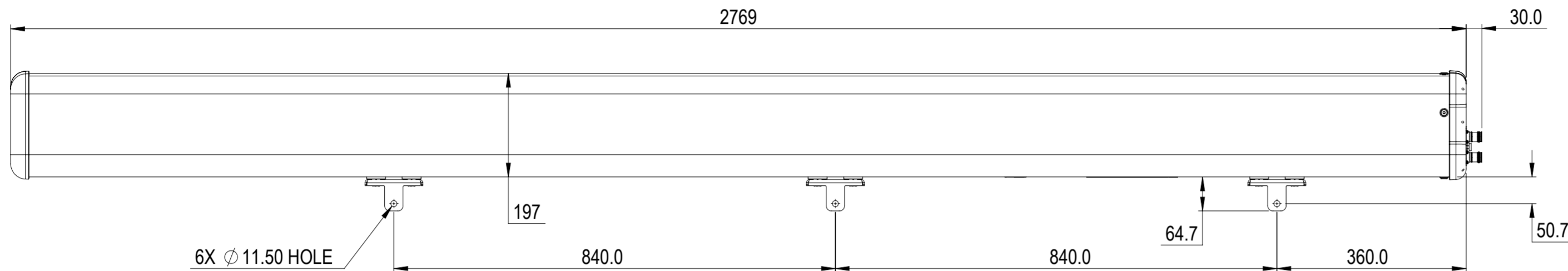


REVISIONS			
REV.	DESCRIPTION	DATE	APPROVED
A	ECR 16337PC: RELEASE TO PRODUCTION PER EAO610403.	07FEB22 LS	WRQ/XKK



RR-85D-R2N43

<b>COMMSCOPE, INC. OF NORTH CAROLINA</b>											
TOLERANCES						SAP MATERIAL MASTER					
0 PLACE X ±			2 PLACE .XX ±			1 PLACE .X ±			ANGLES ±		
FINISH						MATERIAL					
UNLESS OTHERWISE SPECIFIED DIMENSIONS ARE IN MILLIMETERS INTERPRET PER ISO STANDARDS HANDBOOK TECHNICAL DRAWINGS VOLUMES 1 & 2, THIRD EDITION (2002)	CE	SL1039	DATE	02/07/2022		PRODUCT DRAWING					
	RW										
	AD					SCALE	DOCUMENT NO.				
	RE					1:8	RR-85D-R2N43-L				
	ECN										
DENSITY		g/mm <sup>3</sup>		MASS		grams		VOLUME		mm <sup>3</sup>	
SURFACE AREA		mm <sup>2</sup>		HEIGHT		LENGTH		WIDTH		SHEET	
										1 OF 1	