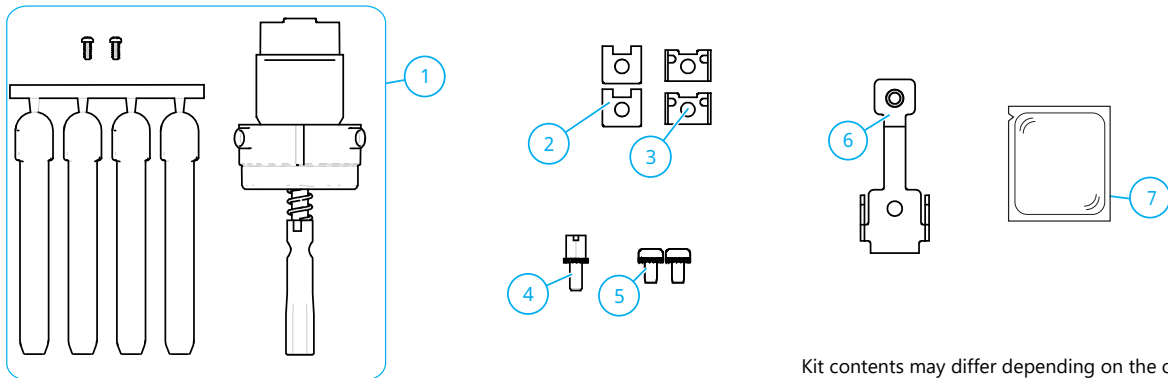


FIST RSKG 4 FLAT

1 About this manual

This kit is used to install 4 flat drop cables with dimensions 8 x 4,5 to 11 x 6,5 mm in a new unused round port of the FIST-GCO2-BX6 and BX8, the FIST-GC02-FX and the FIST-EDSA2.

2 Kit contents



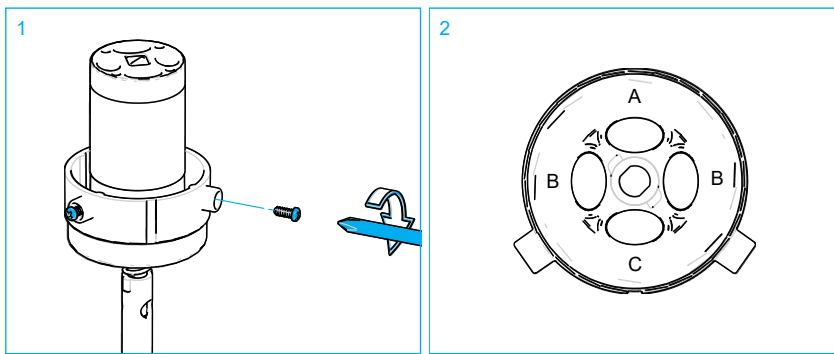
Kit contents may differ depending on the order.

N°	Description	Qty FX	Qty BX6	Qty BX8	Qty EDSA2
1	FIST GCO2 RSKG-4FLAT with securing screws and blind plugs	1	1	1	1
2	Strmbr fixation cap double	2	2	2	2
3	Strmbr fixation base plate	2	2	2	2
4	Spacer with star washer	1	1	1	1
5	Bolt with star washer M5x10	2	1	2	2
6	Cable term GC02-FX brkt 3/4 OUT	1	-	1	1
7	Lubrication oil	1	1	1	1


3 Cable diameter range gel seals

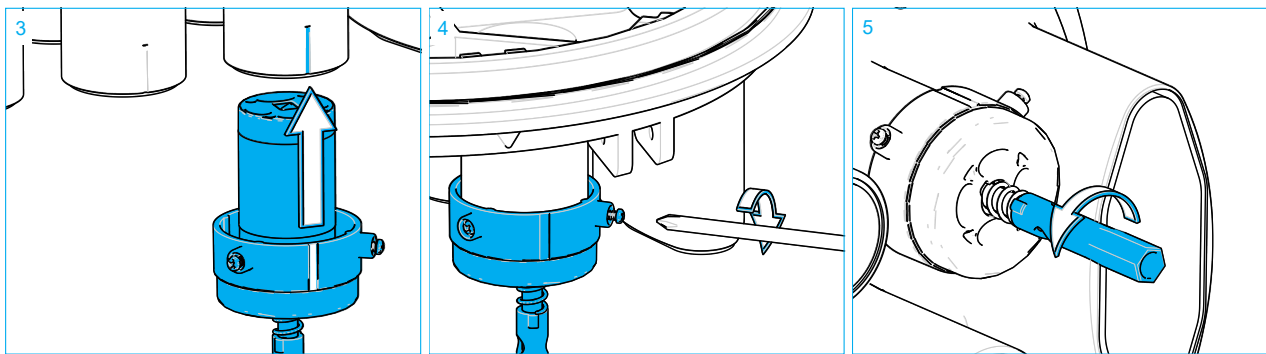
Number of ports	Cable diameter range (mm)	Number of ports	Cable diameter range (mm)
1	11 - 14	8	3 - 5
2	8 - 11	16	0 - 2.4 (up to 3 depending on the kit contents)
3	6.5 - 8	FOSC OSKG	6 - 15
4	4 - 7	FIST OSKG	5 - 18
4 FLAT	8 x 4,5 - 11 x 6,5	FIST OSKG 20	16 - 20

4 Install gel seal



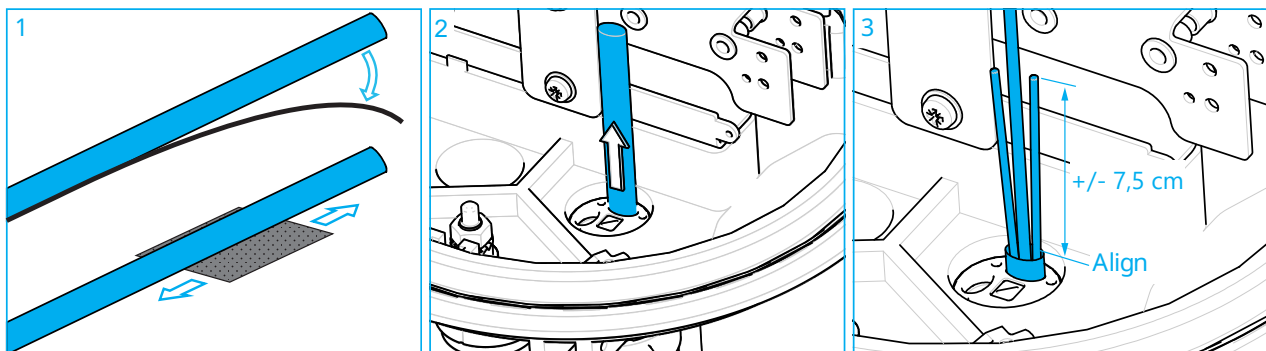
- 1 Before installing the gel seal in the port, install the 2 securing screws.
- 2 The first cable must be installed in the port position A. The next cable must follow the order A - B - C.



 **Note:** The lubrication oil in the kit makes it easier to install gel seal in the closure ports.




- 3 Open the port. The cutting wire can be used. Make sure that the edges are free of burrs. Install the seal in the port, mark line always facing forward. The mark line on the gel seal should match with the mark line on the FIST-GCO2 drop port. (The mark at the FIST-GCO2- FX/EDSA2 should be hidden when the seal is installed).
- 4 Tighten the 2 screws and make sure they grip in the port.
- 5 Make sure the seal is decompressed before installing a cable.

5 Prepare cable

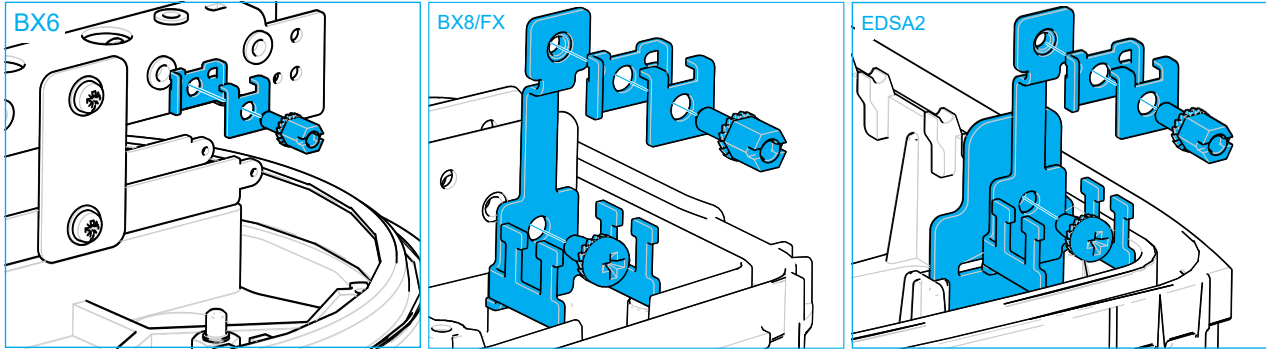


- 1 If the cable has a strand, remove the strand. Remove the burrs from the cable jacket and clean the jacket before installation.
-  **Note:** Burrs are not allowed in the gel seal area.
- 2 Feed the first cable through port A of the gel seal. Prepare as per standard practice. Align the cable jacket end to the top of the port.
-  **Note:** The lubrication oil in the kit makes it easier to guide cables through ports in the gel seal.
- 3 Cut the strength member at $\pm 7,5$ cm from the cable jacket.

 **Note:** In order to have a good cable management, make sure all cables have the same length!

6 Install cable

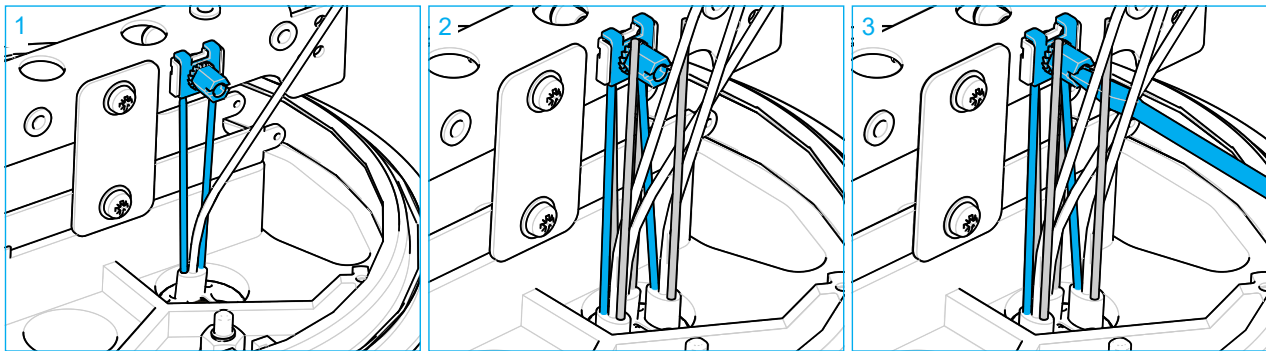
6.1 Install bracket



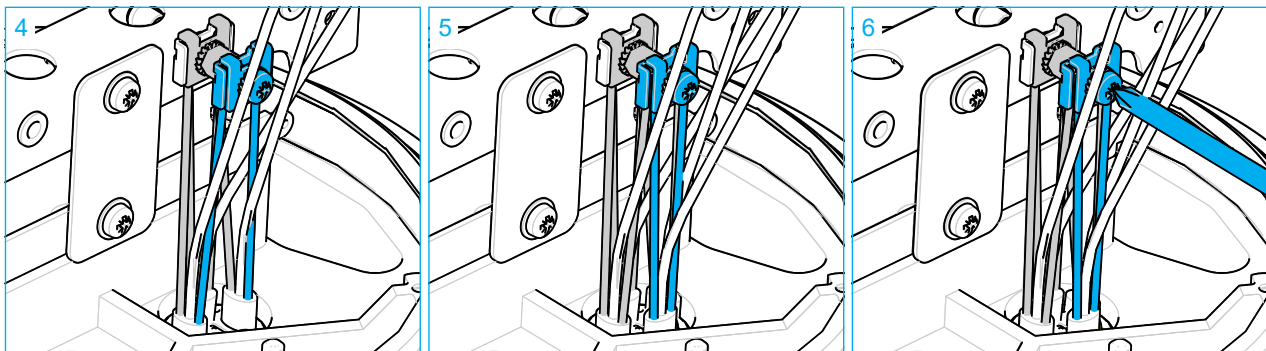
- 1 BX6: Attach the strength member plates to the metal bracket with the spacer and retaining washer. Do not tighten the spacer completely.
- 2 BX8/FX: Secure the metal bracket to the frame with the screw (M5x10) and washer. Install the first set of metal plates with the spacer and washer to the bracket.
- 3 EDSA2: Secure the metal bracket to the frame with the screw (M5x10) and washer. Install the first set of metal plates with the spacer and washer to the bracket.

6.2 Install cable

For BX8/FX: Start with ports 3 and 8.



- 1 Secure the strength members of the first cable installed in position A in the strength member plates by tightening the spacer.
- 2 Feed the next 2 cables through the ports B of the gel seal. Untighten the already installed strength member plates. Secure the **front** strength members of the cables in ports B by tightening the spacer.
- 3 Secure the strength members between the 2 metal plates by tightening the spacer with a screwdriver.



- 4 Attach another set of strength member plates onto the spacer using a screw with retaining washer. Secure the **back**

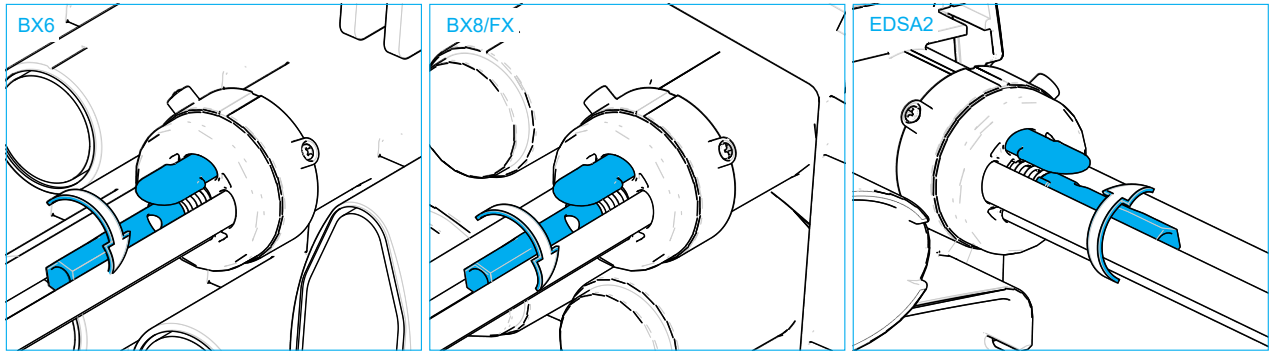
strength members of the cables in ports B by tightening the screw.

Note: The strength members of the cables in ports B must be split over both sets of strength member plates.

- 5 Feed the fourth cable through the remaining port C of the gel seal. Secure them in the top strength member plates.
- 6 Secure the strength members between the 2 metal plates by tightening the spacer with a screwdriver. Route the loose tubes as per standard practice.

For EDSA2: It is recommended to divide the fibers that are coming from the round port in separate slots in the tube holders.

6.3 Activate seal mechanism



- 1 Use the blind plug(s) to fill up the unused hole(s) if all 4 cables are not installed on the same day. Engage the seal mechanism by tightening the 'nut' of the central bolt assembly until the spring is no longer visible and the 'nut' is flush with the gland body.
- 2 To add a cable: release the trigger, remove the blind plug, prepare a new cable and continue with one of the previous sections above depending on the closure type.

Note: Depending on outside conditions, some oil bleed-out may occur. This will not affect in any way the sealing performance.

7 OPTIONAL: Secure cable to the outside bracket

A cable securing frame is optional available for the FIST-GC02-BX6, FIST-GC02-BX8 and the FIST-GC02-FX.