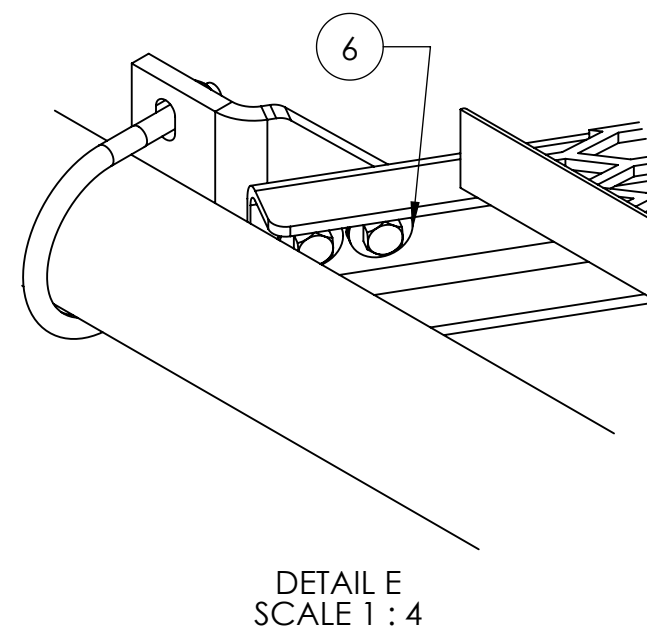
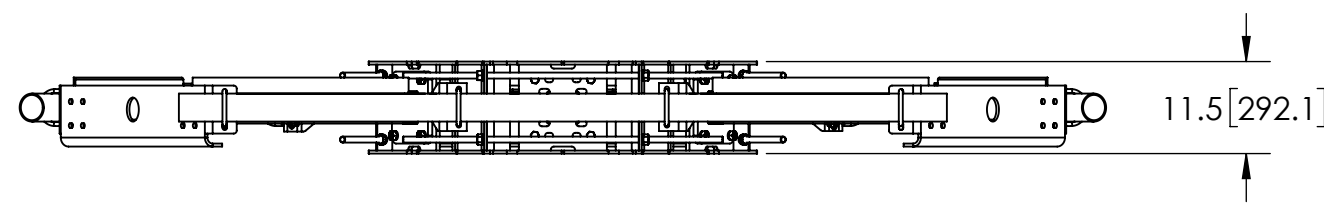
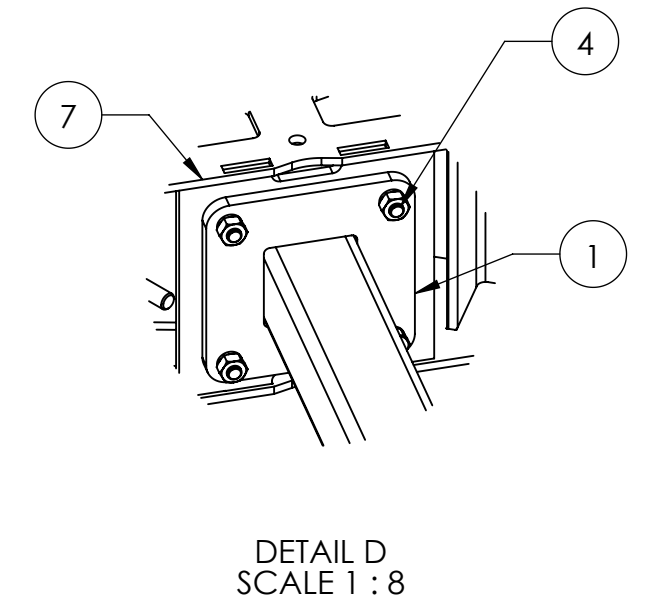
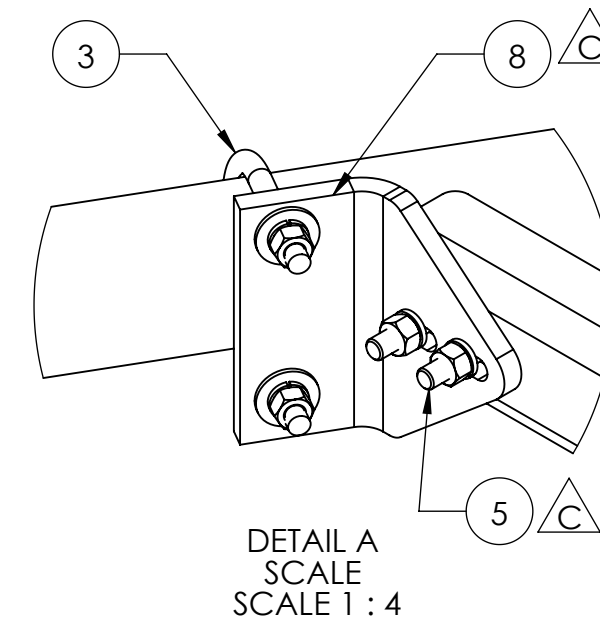
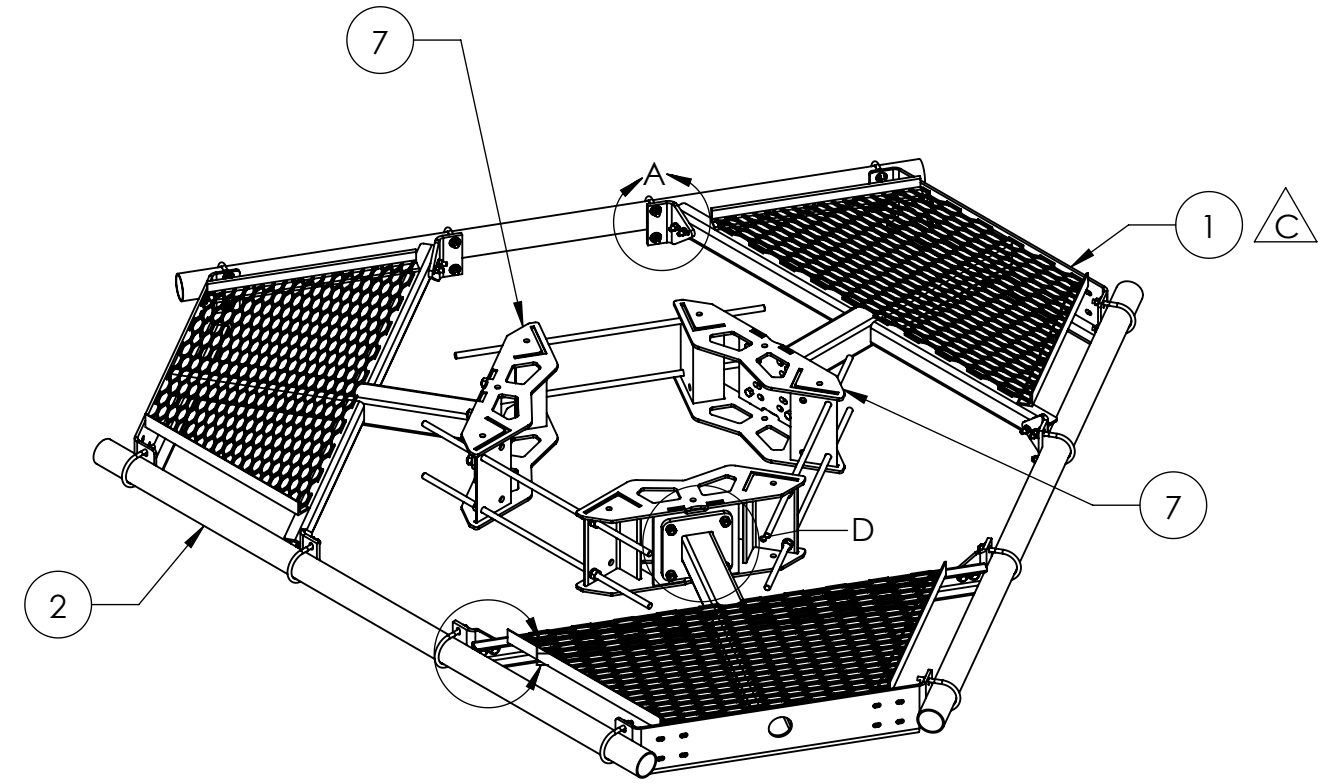
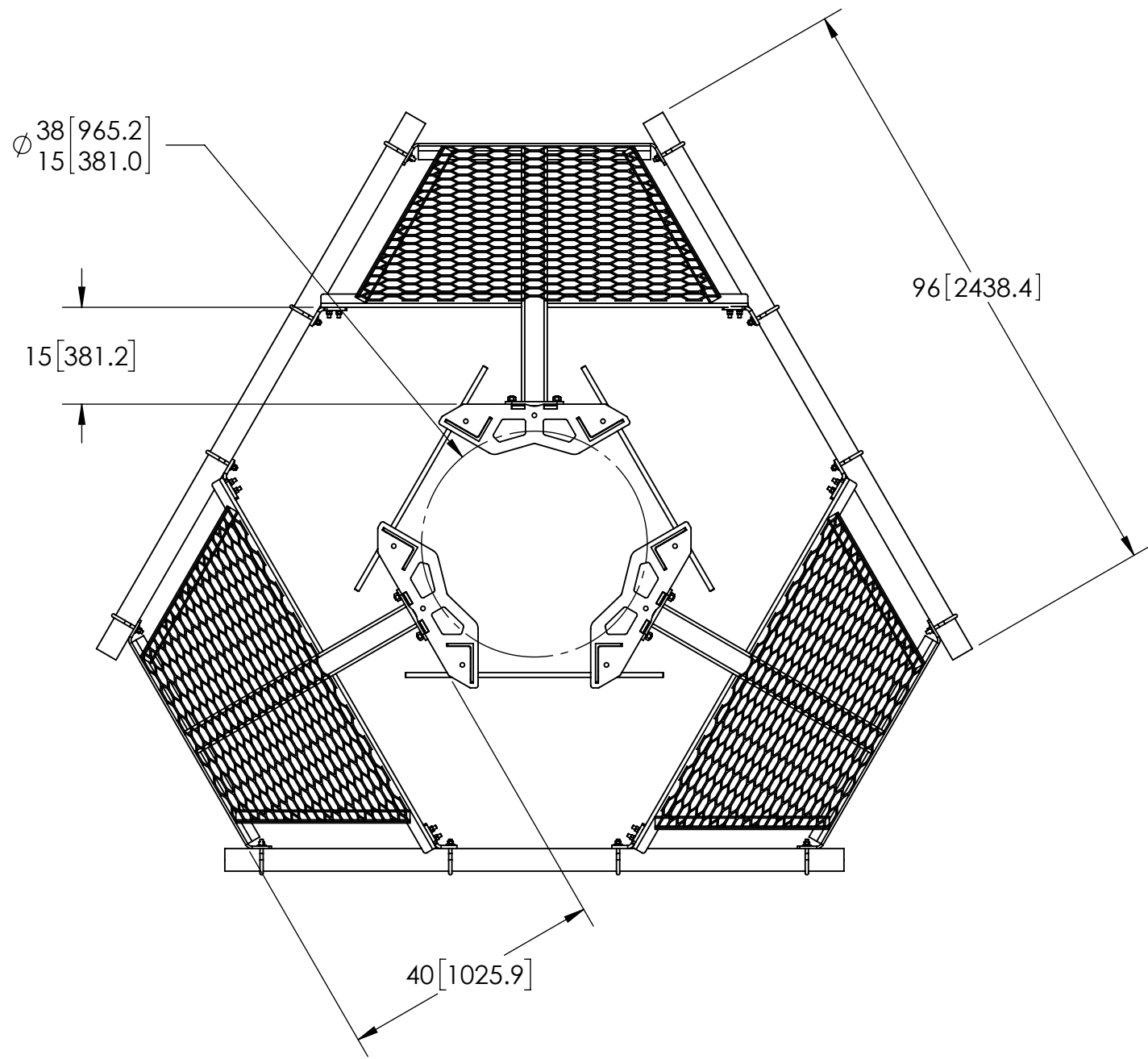


NOTES:

- 1.0 GENERAL
 - 1.1 ALL METRIC DIMENSIONS ARE IN BRACKETS
 - 1.2 FOR PATENTS, SEE WWW.CS-PAT.COM
- 2.0 DESIGN NOTES
- 3.0 MANUFACTURING/SPECIAL REQUIREMENTS
- 4.0 TEST
- 5.0 PACKAGING

REVISIONS				
REV.	ECN	DESCRIPTION	BY	DATE
A		INITIAL RELEASE	DRR	12/27/11
B		UPDATED TITLE BLOCK	MSM	03/21/12
C	8000039257	NEW WELDMENT FOR SNUB NOSE & UPDATED PIPE MOUNT PLATE	MRC	02/12/20



PATENT PENDING

COMMSCOPE, INC. OF NORTH CAROLINA

TOLERANCES		SAP MATERIAL MASTER	
0 PLACE X ± .25	2 PLACE .XX ± 0.06	MC-PK8-B	
1 PLACE X ± 0.12	ANGLES ± 2°		

FINISH GALV A123	MATERIAL A500, A1011/A1018
---------------------	-------------------------------

UNLESS OTHERWISE SPECIFIED DIMENSIONS ARE IN INCHES INTERPRET PER ANSI Y 14.5M-1994	NAME	DATE	TITLE
	CE MRC	02/12/2020	LOW PROFILE PLATFORM 8' FACE
	RW MCT107	02/27/2020	
	RV BCAMPBELLCON	02/27/2020	
RE FA1024	02/27/2020		
ECN 008000039257	SCALE 1:32	DOCUMENT NO. MC-PK8-B	

DENSITY	0.11	lbs/in ³
MASS	790.53	lbs
VOLUME	7758.68	in ³
SURFACE AREA		in ²
HEIGHT		
LENGTH		
WIDTH		

SIZE	WORK AREA	MODEL			DRAWING			SHEET
		VERSION	STATUS	REVISION	VERSION	STATUS	REVISION	
C		01	RE	C	01	RE	C	1 OF 1

ITEM	PART NO.	DESCRIPTION	QTY.
1	MTC300602	LOW PROFILE CO-LOCATION PLTFM SNUB NOSE	3
2	MT54796	3.50" OD X 96" GALV PIPE	3
3	GUB-4355	1/2" X 3-5/8" X 5" GALV U-BOLT	12
4	GB-0520A	5/8" X 2" GALV BOLT KIT (A325)	12
5	GB-04205	1/2" X 2" GALV BOLT KIT	12
6	GW-04	1/2" GALV FLAT WASHER	12
7	MC-RM1550-3	12" - 50" OD RINGMOUNT	1
8	MTC300618	MT196 Pipe Mount Plate	6