

4

3

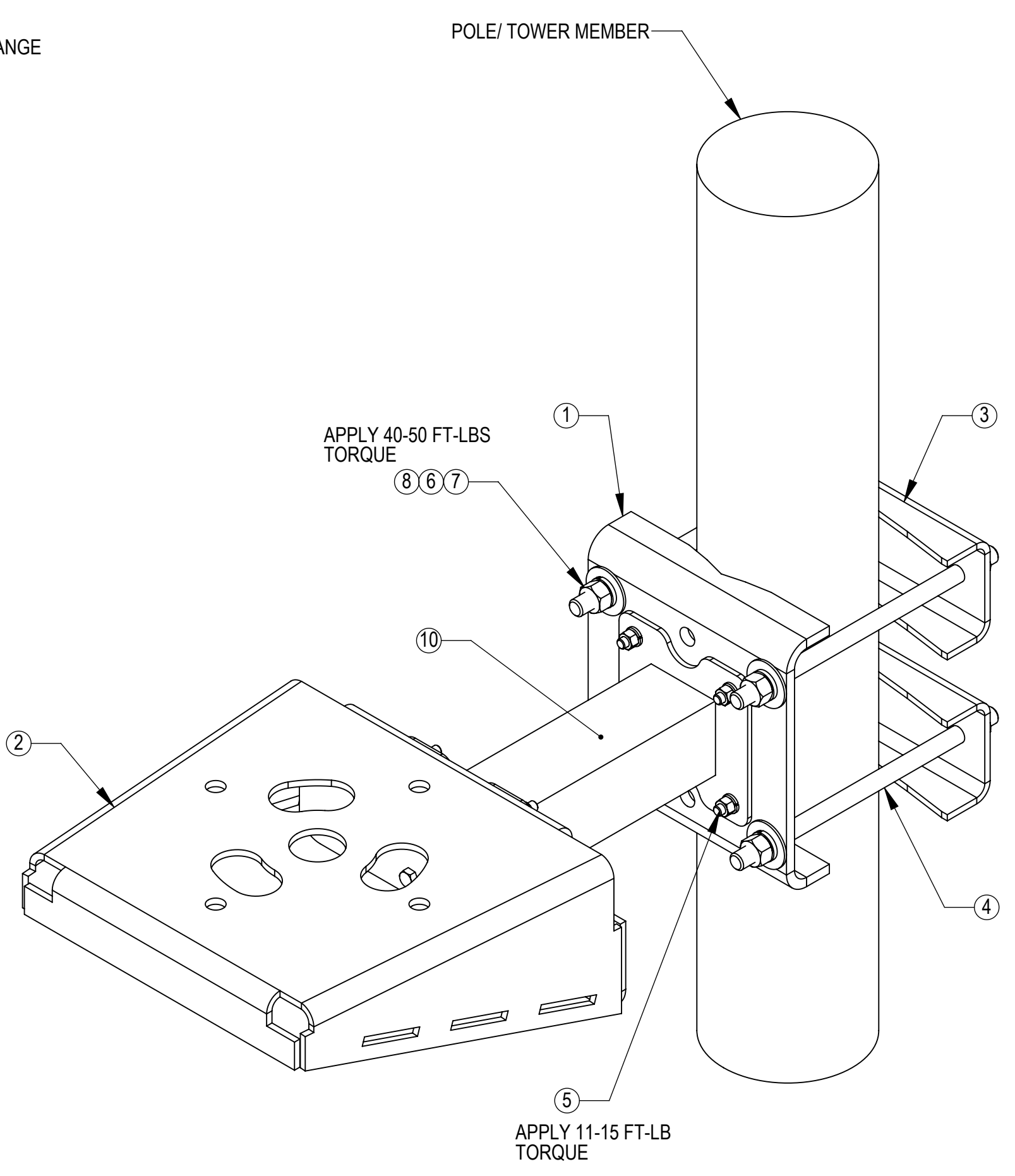
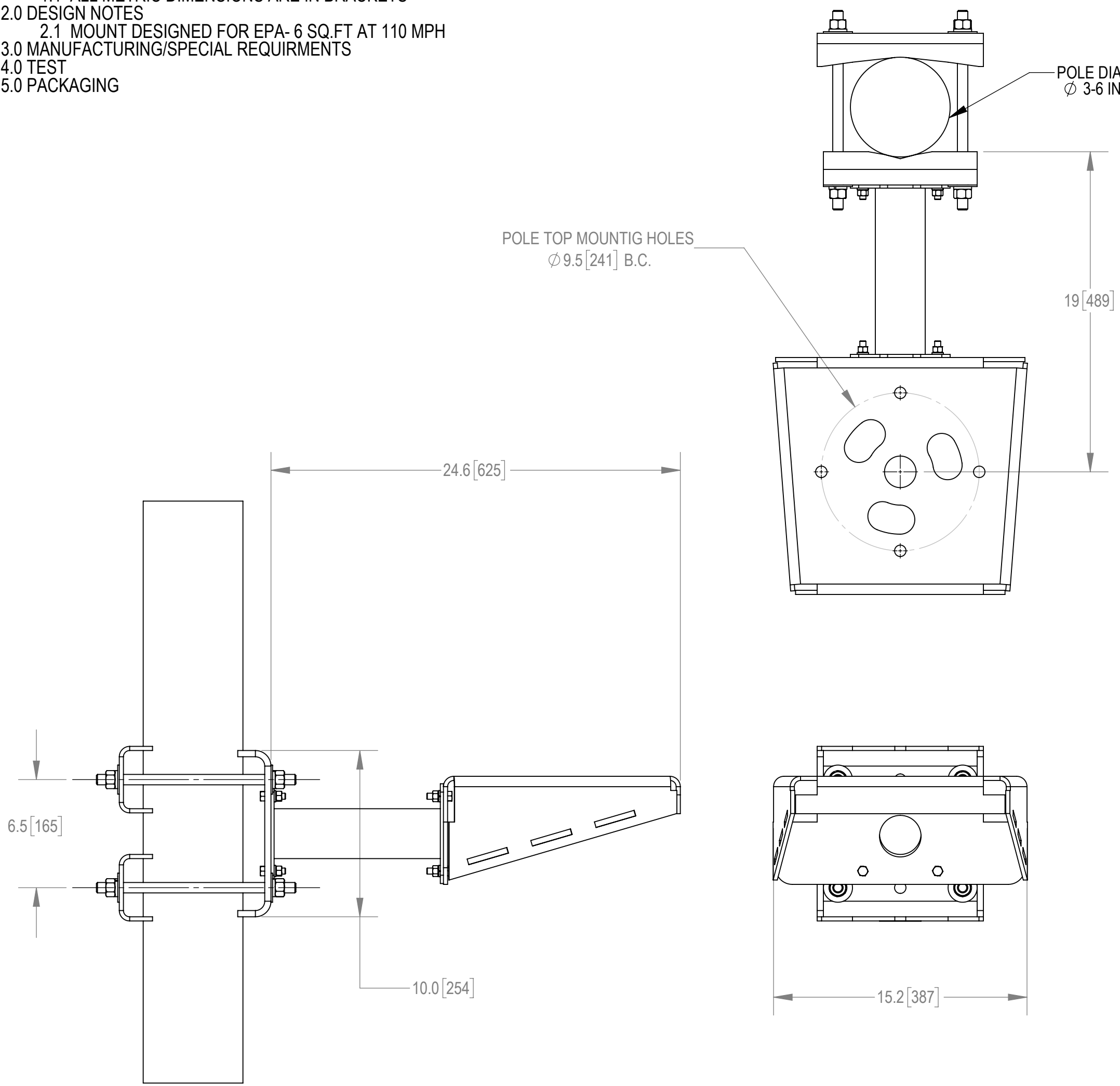
2

1

NOTES:

- 1.0 GENERAL
  - 1.1 ALL METRIC DIMENSIONS ARE IN BRACKETS
- 2.0 DESIGN NOTES
  - 2.1 MOUNT DESIGNED FOR EPA-6 SQ.FT AT 110 MPH
- 3.0 MANUFACTURING/SPECIAL REQUIRMENTS
- 4.0 TEST
- 5.0 PACKAGING

REVISIONS				
REV.	ECN	DESCRIPTION	BY	DATE
A	8000032053	INITIAL RELEASE	FA	11/14/2018



ITEM	PART NO.	DESCRIPTION	QTY.	WEIGHT	NOTE NO.
1	MTC406006	POLE BRKT FRONT, 3-6" OD, SSX SIDE MNT	1	11.98 LBS	
2	MTC406004	ANT/RADIO BRKT, SSX SIDE MNT	1	26.38 LBS	
3	MTC406007	POLE BRKT BACK, SSX SIDE MNT	2	4.57 LBS	
4	MT-381	5/8" X 12" GALV THREADED ROD	4	1.04 LBS	
5	GB-03125	3/8" X 1-1/4" GALV BOLT KIT	8	0.06 LBS	
6	GWL-05	5/8" GALV LOCK WASHER	8	0.03 LBS	
7	GN-05	5/8" GALV HEX NUT	8	0.08 LBS	
8	GWLF-05	5/8" GALV FLAT WASHER	8	0.06 LBS	
9	SW-58	BACKING PLATE, .188" X 2.5" X 2.5" W/ 11/16" HOLE	2	0.31 LBS	USED ONLY ON WOOD POLES, SEE SHEET 2
10	MTC40601	3X3 HSS WELDMNT, SSX SIDE MNT	1	8.69 LBS	

**COMMSCOPE, INC. OF NORTH CAROLINA**

TOLERANCES		SAP MATERIAL MASTER	
0 PLACE X ± .25	2 PLACE .XX ± 0.06	<b>MTC4060SM1</b>	
1 PLACE .X ± 0.12	ANGLES ± 2°		
FINISH GALV A123		MATERIAL A500, A1011/A1018	
UNLESS OTHERWISE SPECIFIED DIMENSIONS ARE IN INCHES INTERPRET PER ANSI Y 14.5M-1994		TITLE <b>SIDE MOUNT FOR PT12, LAA/CBRS 3-6" OD</b>	
CE	FA1024	DATE	11/05/2018
RW	FA1024	DATE	11/14/2018
RV		DATE	11/14/2018
AD	MC1107	DATE	11/14/2018
RE	FA1024	DATE	11/26/2018
ECN 008000032053		SCALE	DOCUMENT NO.
		<b>1:6</b>	<b>MTC4060SM1</b>
SIZE	WORK AREA 24	MODEL	
<b>C</b>		VERSION	STATUS
		03	RE
		DRAWING	
VERSION	STATUS	REVISION	VERSION
03	RE	A	03
		SHEET	
		1 OF 2	

DENSITY		lbs/in <sup>3</sup>
MASS	63.92	lbs
VOLUME	1211.13	in <sup>3</sup>
SURFACE AREA	2622.51	in <sup>2</sup>
HEIGHT		
LENGTH		
WIDTH		

4

3

2

1

4

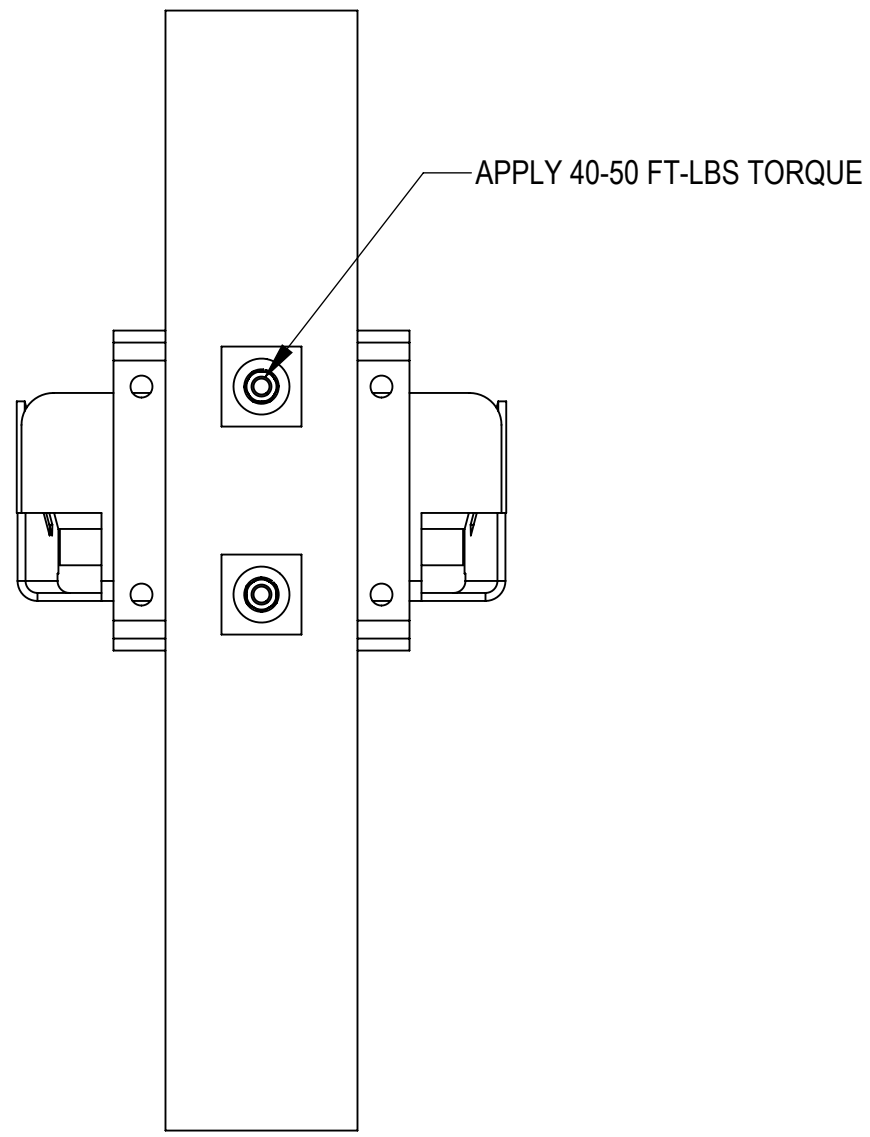
3

2

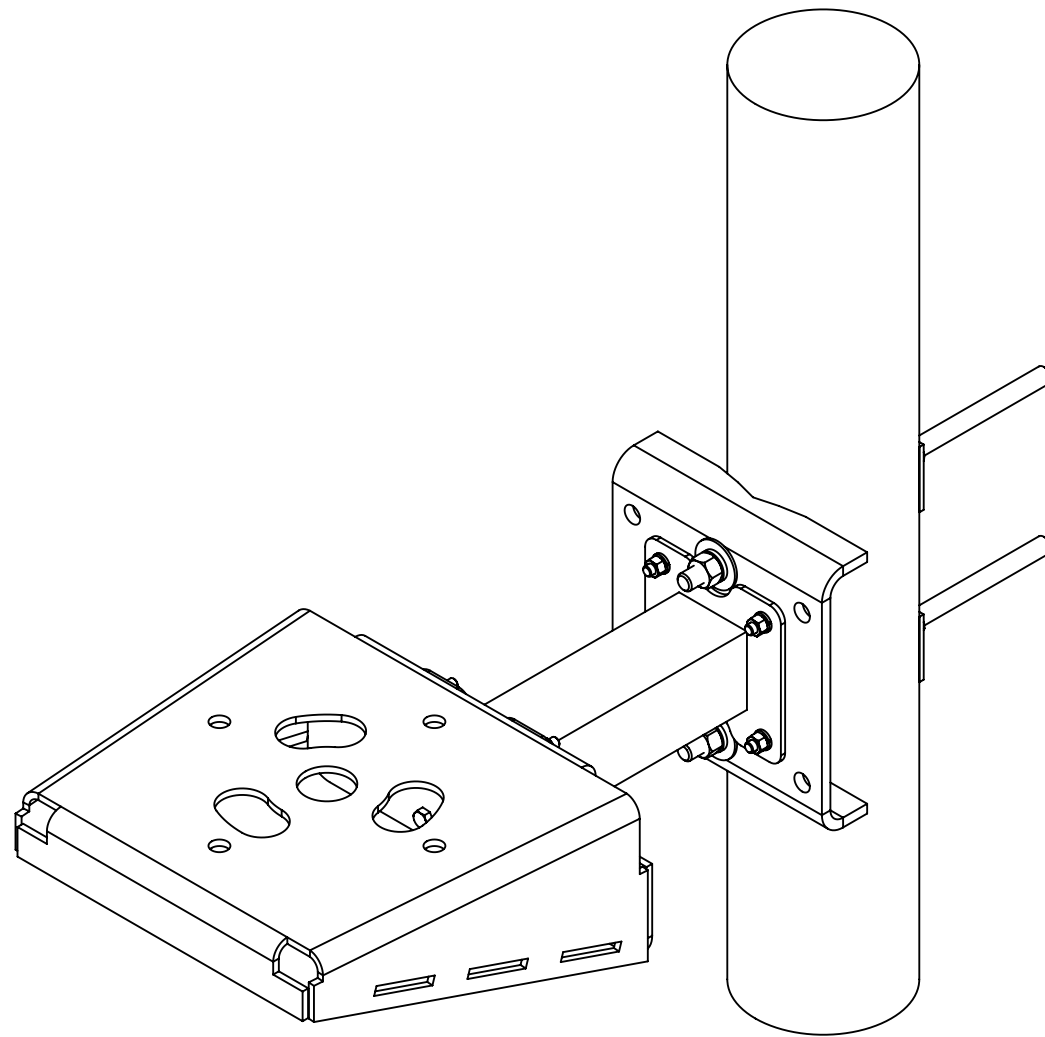
1

NOTES:

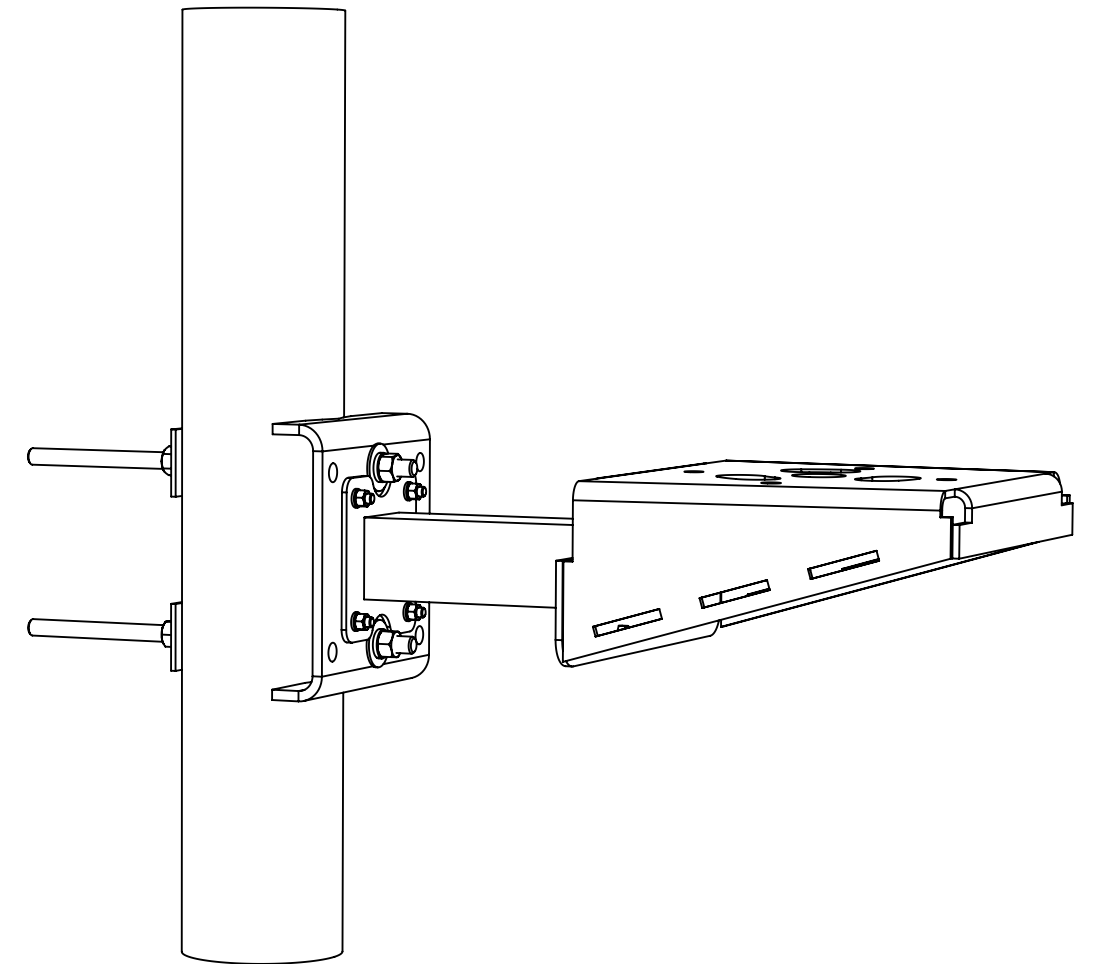
### WOOD POLE - ALL THREADS WITH BACKING PLATE



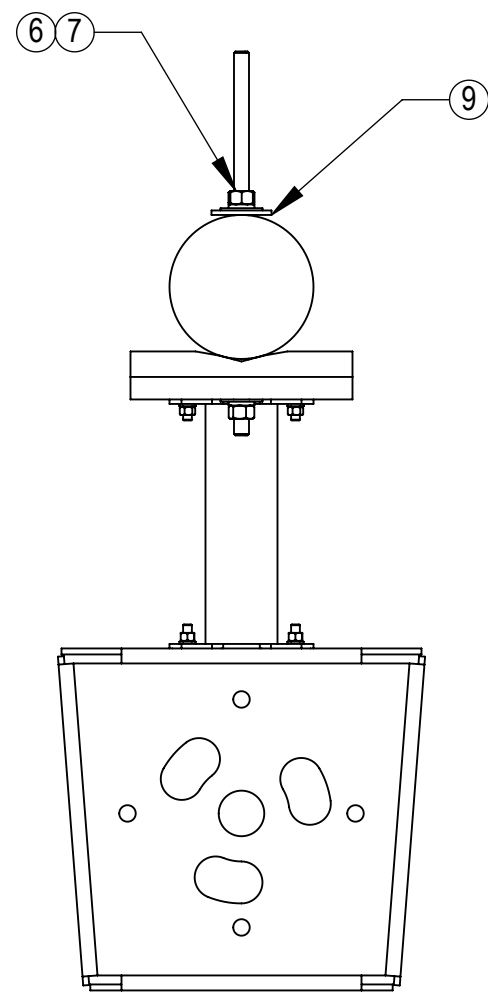
REAR VIEW



ISO-VIEW



ROTATED ISO-VIEW



COMMSCOPE, INC. OF NORTH CAROLINA				
TITLE SIDE MOUNT FOR PT12, LAA/CBRS 3-6" OD				
SIZE <b>C</b>	SCALE <b>1:6</b>	DOCUMENT NO. <b>MTC4060SM1</b>		
		DRAWING		SHEET 2 OF 2
		VERSION 04	STATUS RE	

4

3

2

1

D

D

C

C

B

B

A

A