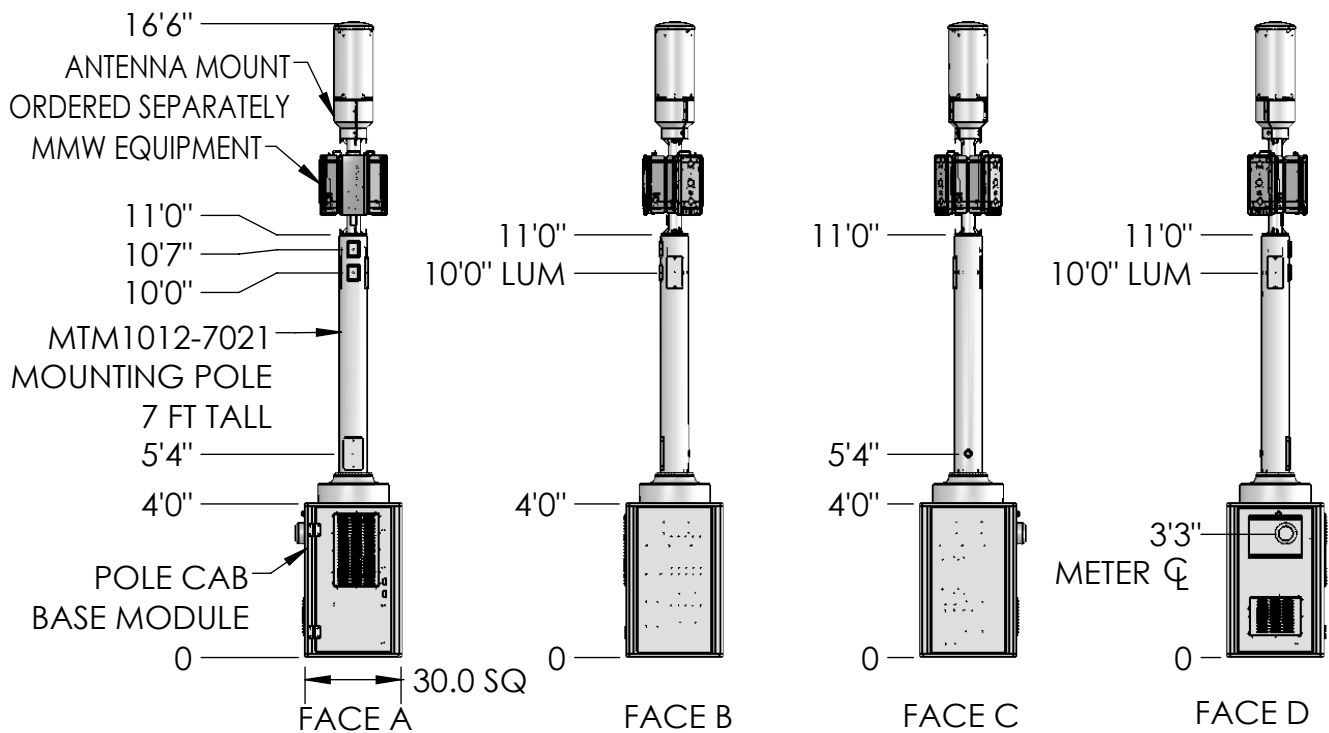


REVISIONS			
REV.	DESCRIPTION	BY	DATE
A	INITIAL RELEASE	MJP	11/11/2021



These drawings and specifications are the proprietary property of CommScope Inc. and may be used only for the specific purpose authorized in writing by CommScope Inc.

ALL DIMENSIONS ARE IN INCHES U.O.S.
TOLERANCES UNLESS OTHERWISE SPECIFIED:

.X = ± .12 ANGLES ±2°
.XX = ± .06 FRACTIONS ±1/32
.XXX = ± .031

REMOVE BURRS AND BREAK EDGES .005

DO NOT SCALE THIS PRINT

DRAWN BY:
MJP

CHECKED BY:

DATE:

REVISION:
A

SHEET:

1 of 1

SCALE:

MATERIAL:

FINISH:

WEIGHT:

PART NUMBER:

760240957xx11xS

DESCRIPTION:

METRO CELL, 30IN POLE CAB SOLUTION

DRAWING TYPE:

COMMSCOPE®

4

3

2

1

D

D

C

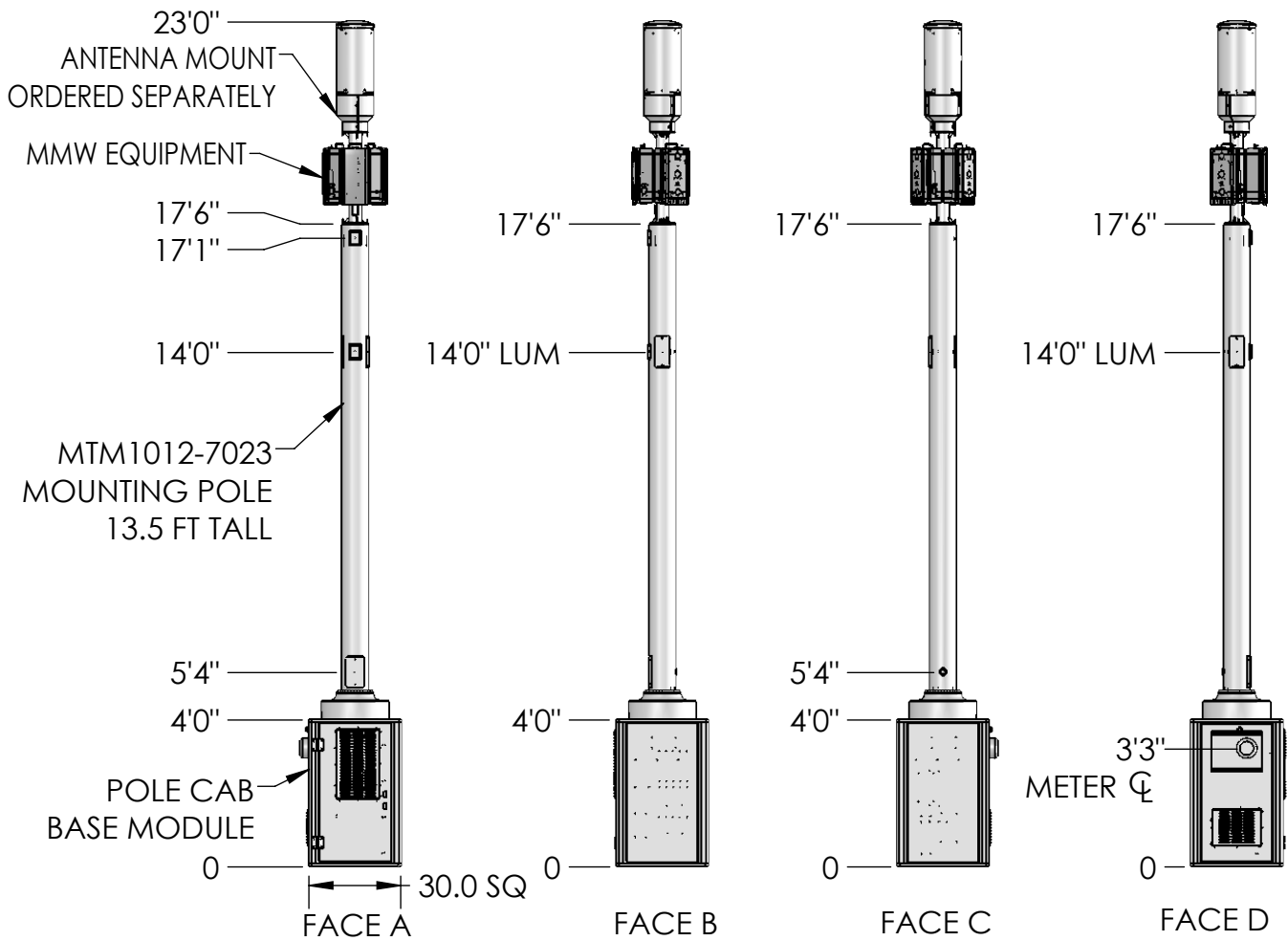
C

B

B

A

A



These drawings and specifications are the proprietary property of CommScope Inc. and may be used only for the specific purpose authorized in writing by CommScope Inc.

DRAWN BY:
MJP

SHEET:
2 of 1

PART NUMBER:
760240957xx18xs

CHECKED BY:

SCALE:

DESCRIPTION:
METRO CELL, 30IN POLE CAB SOLUTION

DATE:

MATERIAL:

DRAWING TYPE:

REVISION:
A

FINISH:

COMMSCOPE®

WEIGHT:

ALL DIMENSIONS ARE IN INCHES U.O.S.
TOLERANCES UNLESS OTHERWISE SPECIFIED:
.X = ± .12 ANGLES ±2°
.XX = ± .06 FRACTIONS ±1/32
.XXX = ± .031

REMOVE BURRS AND BREAK EDGES .005

DO NOT SCALE THIS PRINT

4

3

2

1

4

3

2

1

D

D

C

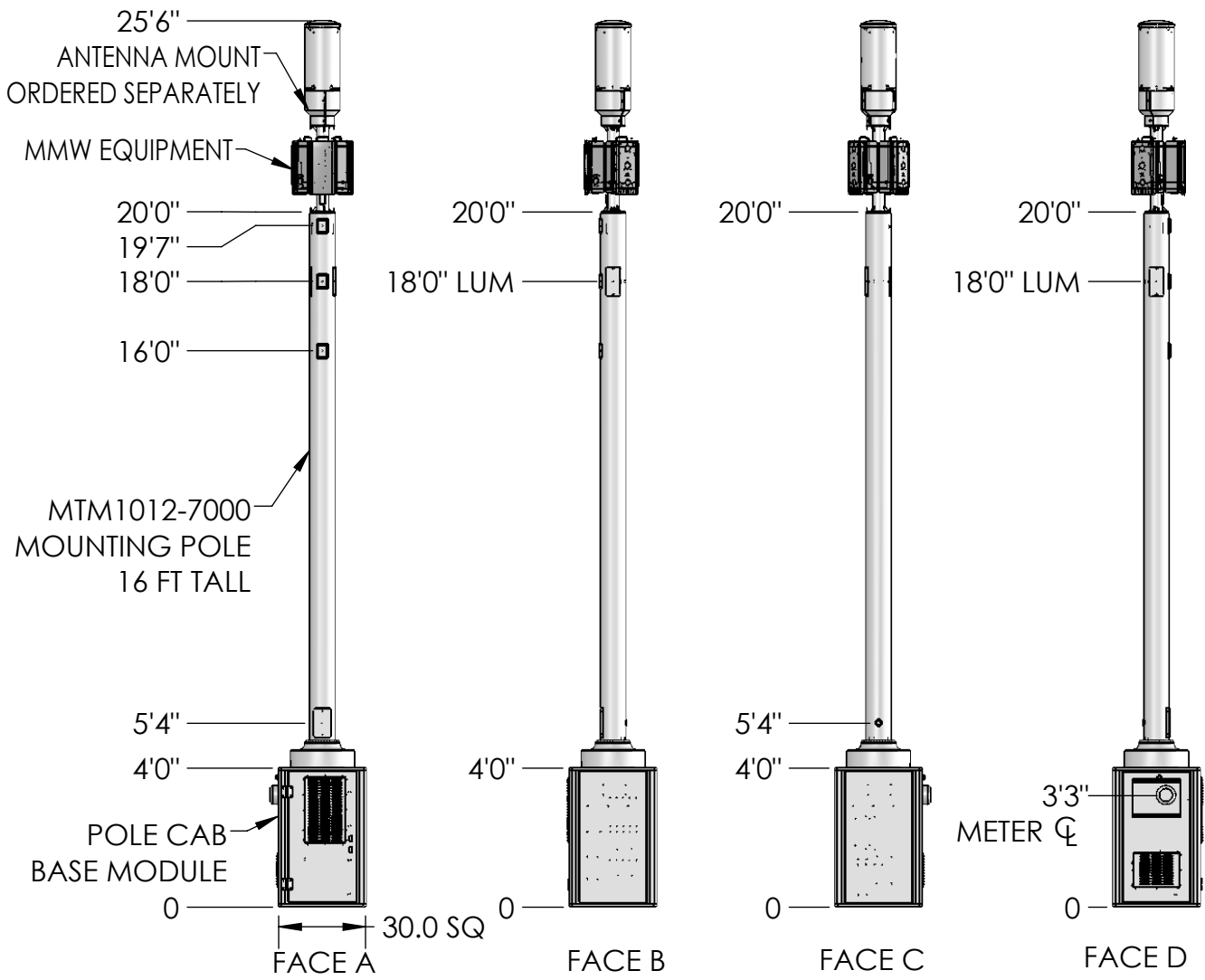
C

B

B

A

A



These drawings and specifications are the proprietary property of CommScope Inc. and may be used only for the specific purpose authorized in writing by CommScope Inc.

DRAWN BY: MJP	SHEET: 3 of 1	PART NUMBER: 760240957xx20xs
CHECKED BY:	SCALE:	DESCRIPTION: METRO CELL, 30IN POLE CAB SOLUTION
DATE:	MATERIAL:	DRAWING TYPE:
REVISION: A	FINISH:	
	WEIGHT:	

ALL DIMENSIONS ARE IN INCHES U.O.S.
TOLERANCES UNLESS OTHERWISE SPECIFIED:

.X = ±	.12	ANGLES	±2°
.XX = ±	.06	FRACTIONS	±1/32
.XXX = ±	.031		

REMOVE BURRS AND BREAK EDGES .005

DO NOT SCALE THIS PRINT

4

3

2

1

D

D

C

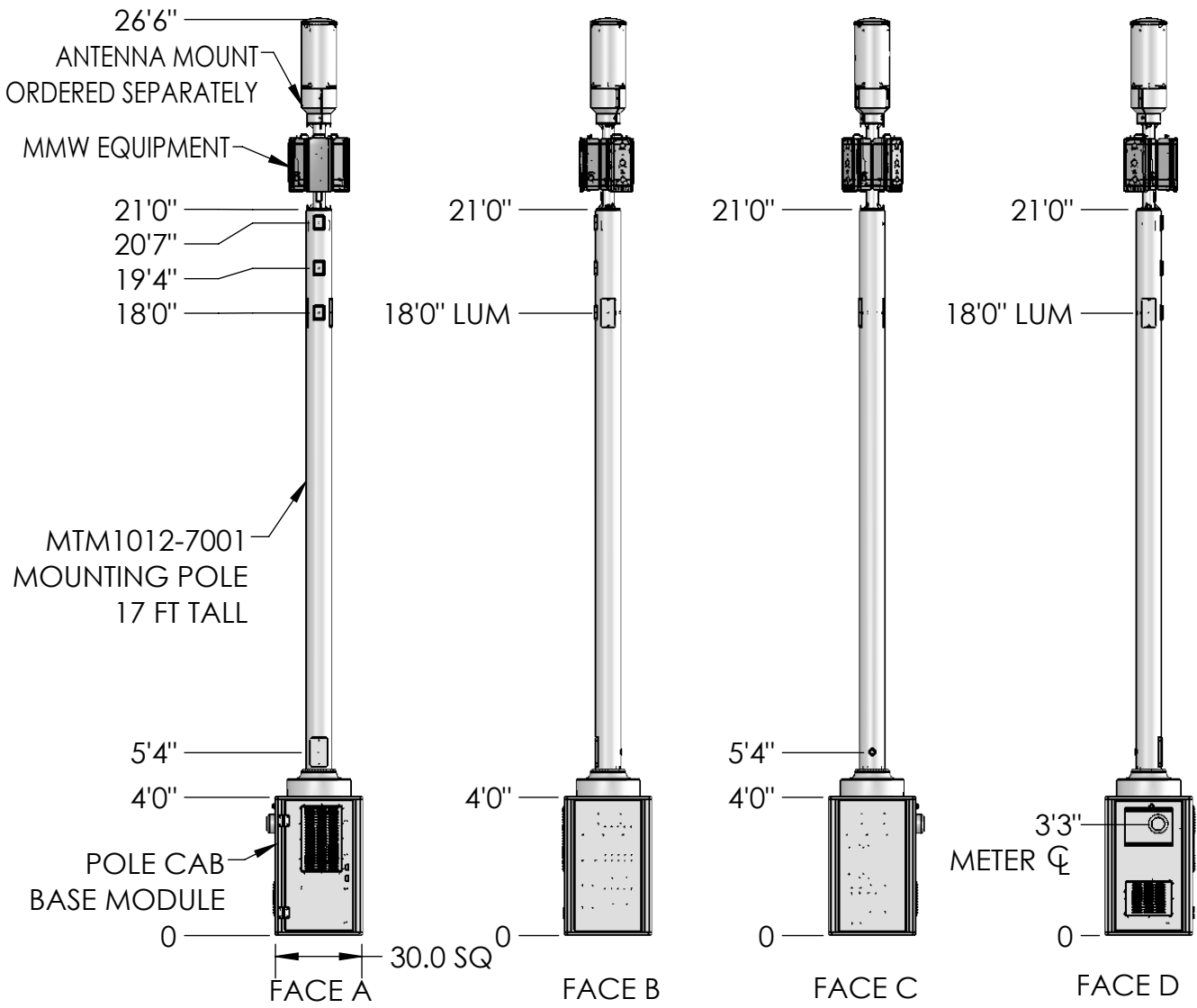
C

B

B

A

A



These drawings and specifications are the proprietary property of CommScope Inc. and may be used only for the specific purpose authorized in writing by CommScope Inc.

DRAWN BY: MJP

SHEET: 4 of 1

PART NUMBER: 760240957xx21xs

CHECKED BY:

SCALE:

DESCRIPTION: METRO CELL, 30IN POLE CAB SOLUTION

DATE:

MATERIAL:

DRAWING TYPE:

REVISION: A

FINISH:

WEIGHT:



ALL DIMENSIONS ARE IN INCHES U.O.S.
TOLERANCES UNLESS OTHERWISE SPECIFIED:

.X = ±	.12	ANGLES	±2°
.XX = ±	.06	FRACTIONS	±1/32
.XXX = ±	.031		

REMOVE BURRS AND BREAK EDGES .005

DO NOT SCALE THIS PRINT

D

D

C

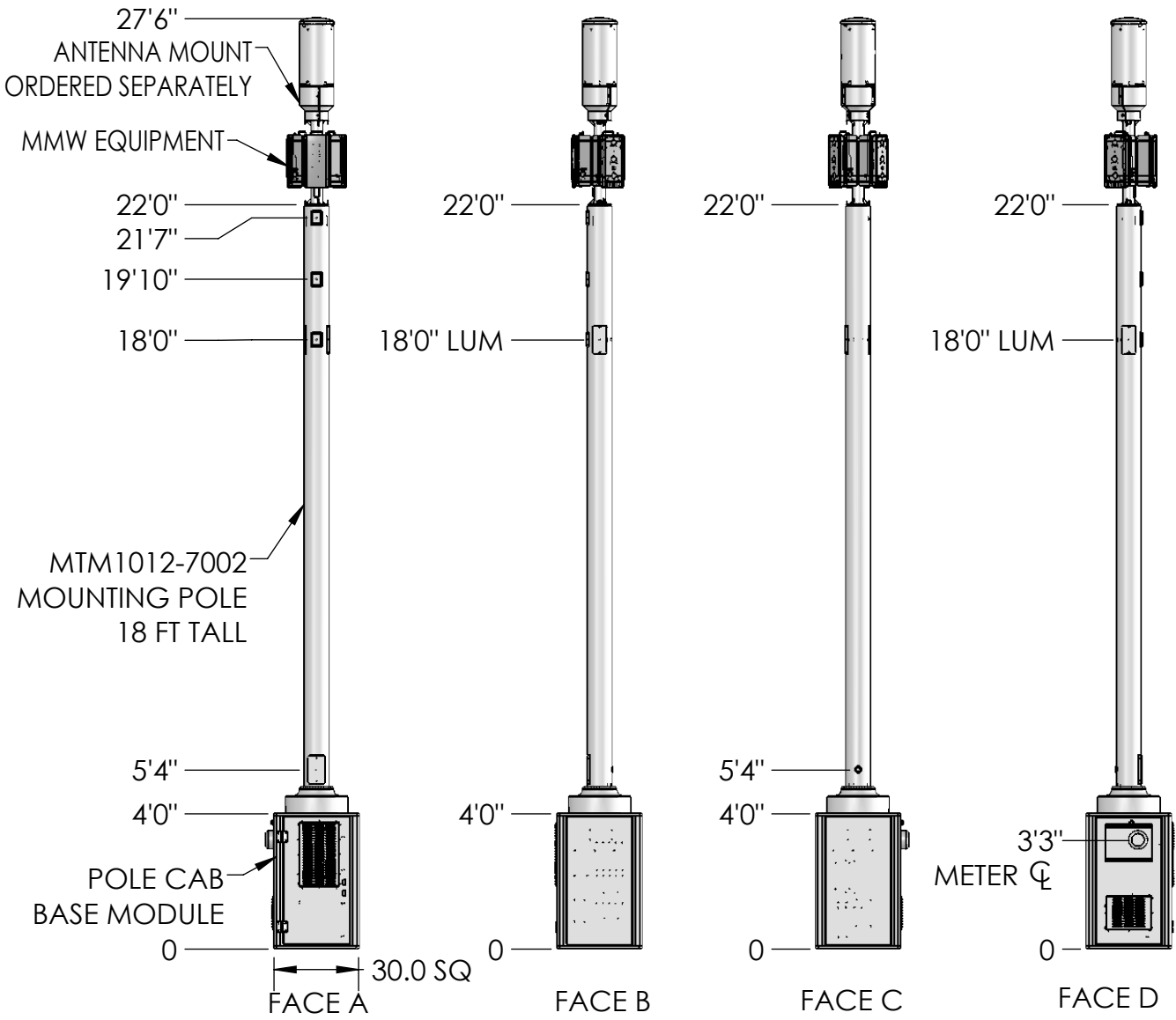
C

B

B

A

A



These drawings and specifications are the proprietary property of CommScope Inc. and may be used only for the specific purpose authorized in writing by CommScope Inc.

DRAWN BY: MJP

SHEET: 5 of 1

PART NUMBER: 760240957xx22xs

CHECKED BY:

SCALE:

DESCRIPTION: METRO CELL, 30IN POLE CAB SOLUTION

DATE:

MATERIAL:

DRAWING TYPE:

REVISION: A

FINISH:

WEIGHT:



ALL DIMENSIONS ARE IN INCHES U.O.S.
TOLERANCES UNLESS OTHERWISE SPECIFIED:
.X = ± .12 ANGLES ±2°
.XX = ± .06 FRACTIONS ±1/32
.XXX = ± .031

REMOVE BURRS AND BREAK EDGES .005

DO NOT SCALE THIS PRINT

4

3

2

1

D

D

C

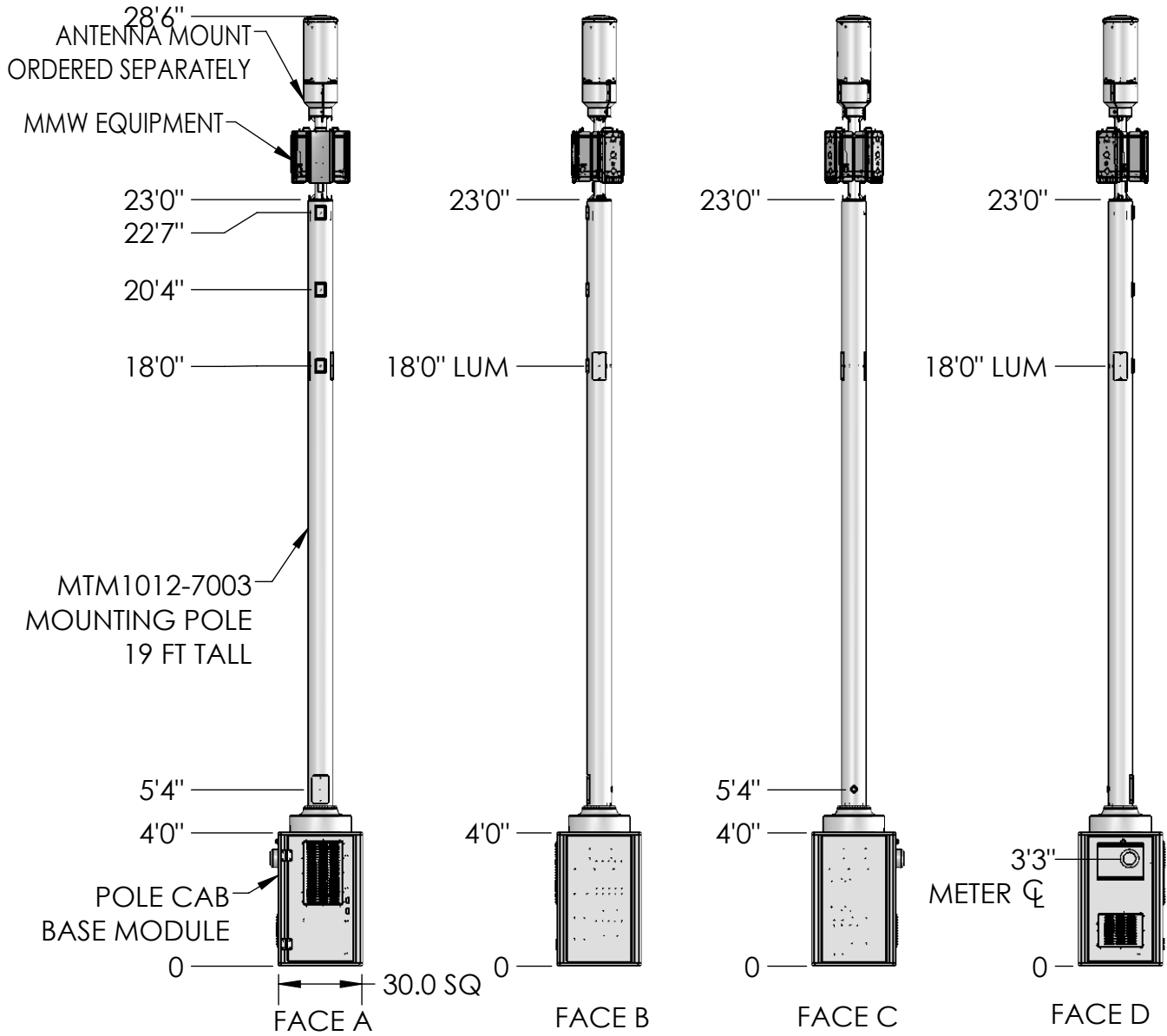
C

B

B

A

A



These drawings and specifications are the proprietary property of CommScope Inc. and may be used only for the specific purpose authorized in writing by CommScope Inc.

DRAWN BY: MJP

SHEET: 6 of 1

PART NUMBER: 760240957xx23xS

CHECKED BY:

SCALE:

DESCRIPTION: METRO CELL, 30IN POLE CAB SOLUTION

DATE:

MATERIAL:

DRAWING TYPE:

REVISION: A

FINISH:

WEIGHT:



ALL DIMENSIONS ARE IN INCHES U.O.S. TOLERANCES UNLESS OTHERWISE SPECIFIED:
 .X = ± .12 ANGLES ±2°
 .XX = ± .06 FRACTIONS ±1/32
 .XXX = ± .031

REMOVE BURRS AND BREAK EDGES .005

DO NOT SCALE THIS PRINT

4

3

2

1

4

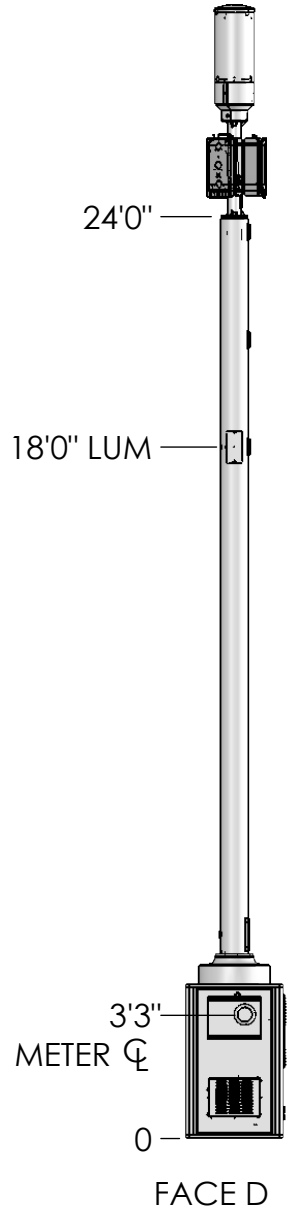
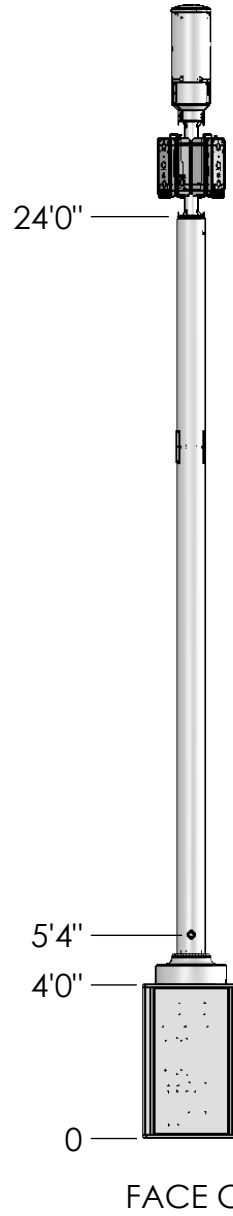
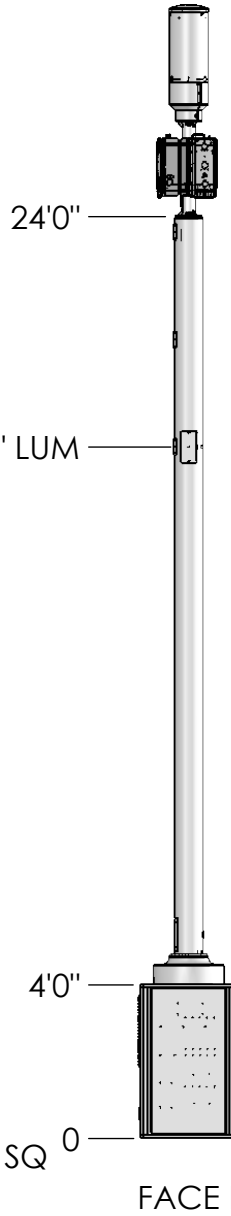
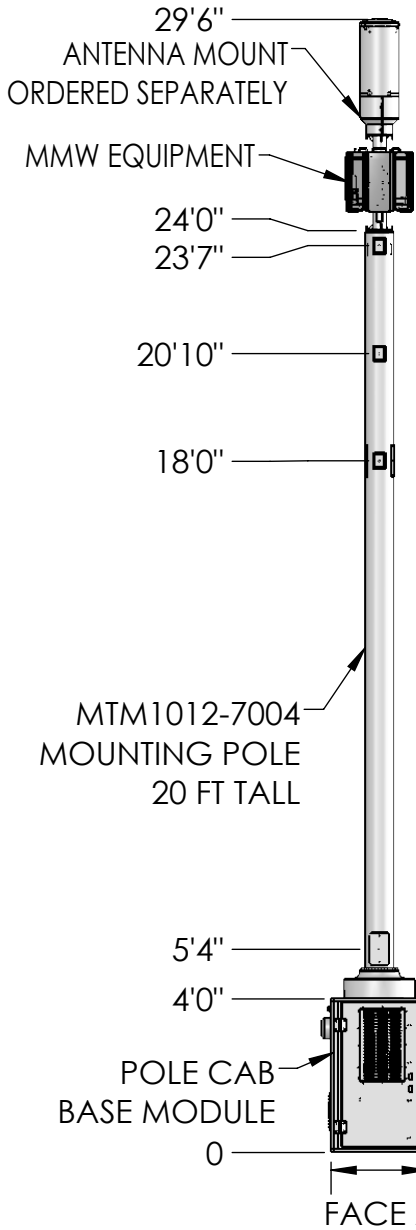
3

2

1

D

D



C

C

B

B

A

A

These drawings and specifications are the proprietary property of CommScope Inc. and may be used only for the specific purpose authorized in writing by CommScope Inc.

DRAWN BY:
MJP

SHEET:
7 of 1

PART NUMBER:
760240957xx24xS

CHECKED BY:

SCALE:

DESCRIPTION:
METRO CELL, 30IN POLE CAB SOLUTION

DATE:

MATERIAL:

DRAWING TYPE:

REVISION:

FINISH:

COMMSCOPE®

A

WEIGHT:

ALL DIMENSIONS ARE IN INCHES U.O.S.
TOLERANCES UNLESS OTHERWISE SPECIFIED:

.X = ±	.12	ANGLES	±2°
.XX = ±	.06	FRACTIONS	±1/32
.XXX = ±	.031		

REMOVE BURRS AND BREAK EDGES .005

DO NOT SCALE THIS PRINT

4

3

2

1

4

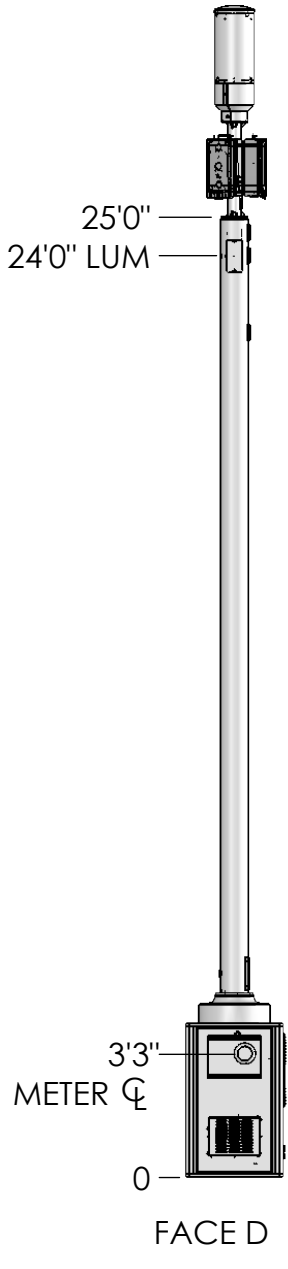
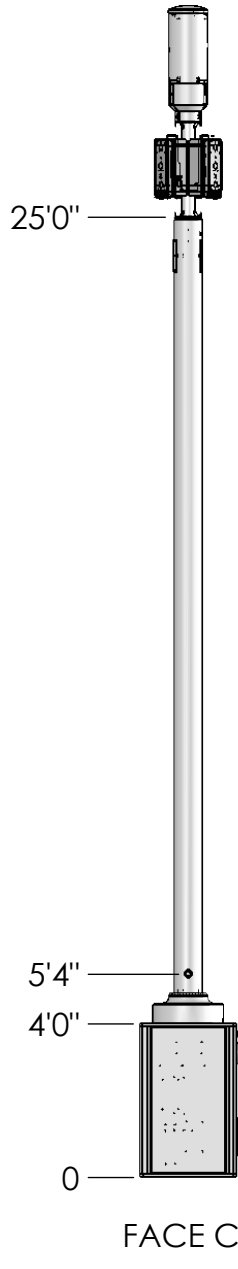
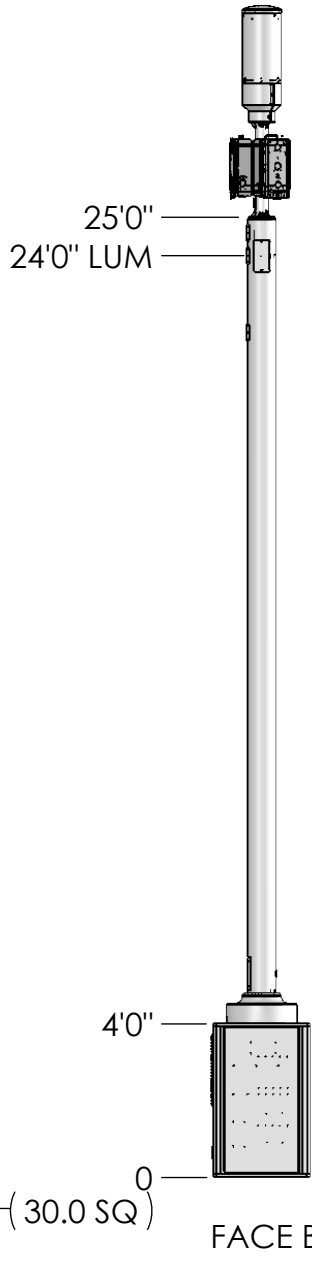
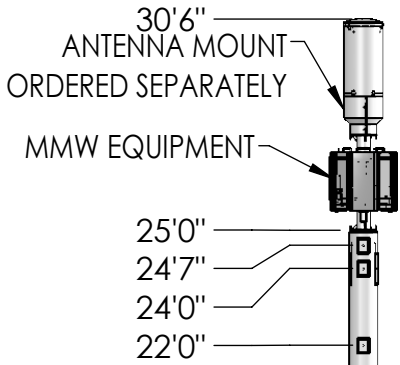
3

2

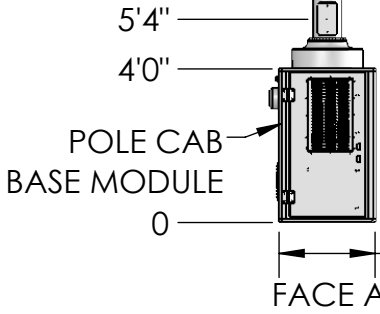
1

D

D



MTM1012-7005
MOUNTING POLE
21 FT TALL



A

A

These drawings and specifications are the proprietary property of CommScope Inc. and may be used only for the specific purpose authorized in writing by CommScope Inc.

DRAWN BY:
MJP

SHEET:
8 of 1

PART NUMBER:
760240957xx25xS

CHECKED BY:

SCALE:

DESCRIPTION:
METRO CELL, 30IN POLE CAB SOLUTION

DATE:

MATERIAL:

DRAWING TYPE:

REVISION:
A

FINISH:

WEIGHT:

COMMSCOPE®

ALL DIMENSIONS ARE IN INCHES U.O.S.
TOLERANCES UNLESS OTHERWISE SPECIFIED:

.X = ± .12 ANGLES ±2°
.XX = ± .06 FRACTIONS ±1/32
.XXX = ± .031

REMOVE BURRS AND BREAK EDGES .005

DO NOT SCALE THIS PRINT

4

3

2

1

4

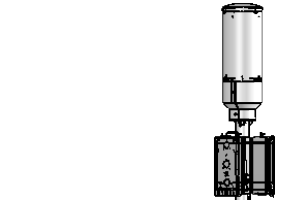
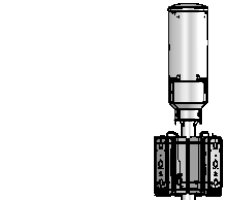
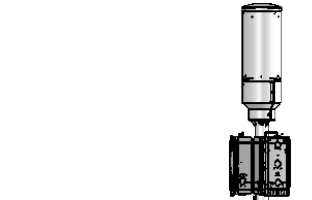
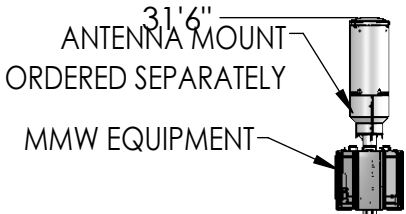
3

2

1

D

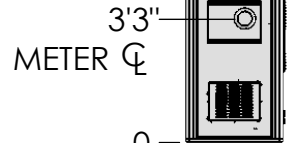
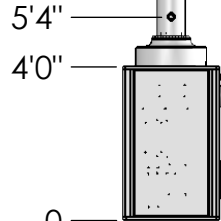
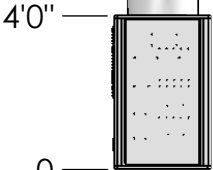
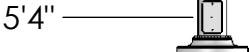
D



C

C

MTM1012-7006
MOUNTING POLE
22 FT TALL



B

B

POLE CAB
BASE MODULE



FACE B

FACE C

FACE D

A

A

These drawings and specifications are the proprietary property of CommScope Inc. and may be used only for the specific purpose authorized in writing by CommScope Inc.

DRAWN BY:
MJP

SHEET:
9 of 1

PART NUMBER:
760240957xx26xS

CHECKED BY:

SCALE:

DESCRIPTION:
METRO CELL, 30IN POLE CAB SOLUTION

DATE:

MATERIAL:

DRAWING TYPE:

REVISION:
A

FINISH:

COMMSCOPE®

WEIGHT:

ALL DIMENSIONS ARE IN INCHES U.O.S.
TOLERANCES UNLESS OTHERWISE SPECIFIED:

.X = ± .12 ANGLES ±2°
.XX = ± .06 FRACTIONS ±1/32
.XXX = ± .031

REMOVE BURRS AND BREAK EDGES .005

DO NOT SCALE THIS PRINT

4

3

2

1

4

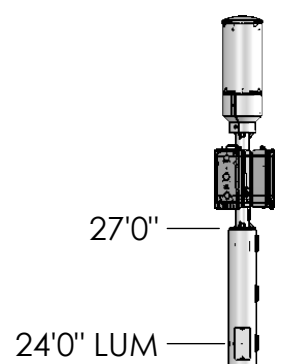
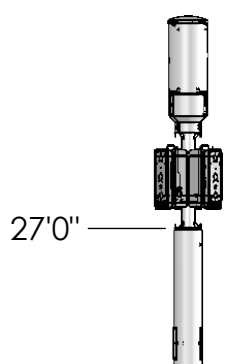
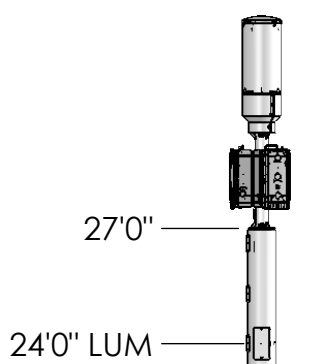
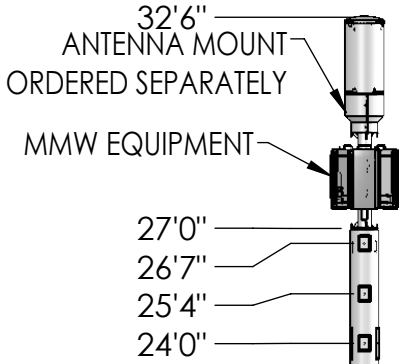
3

2

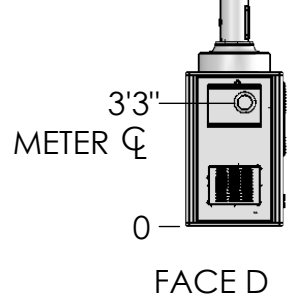
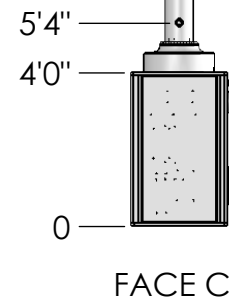
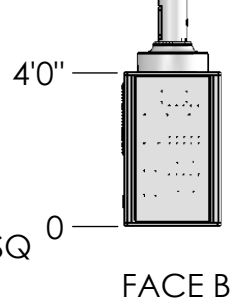
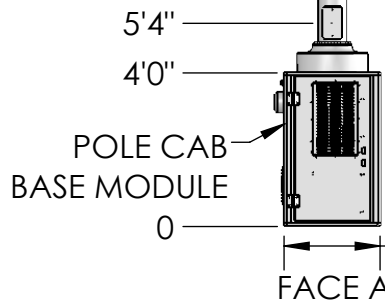
1

D

D



MTM1012-7007
MOUNTING POLE
23 FT TALL



C

C

B

B

A

A

These drawings and specifications are the proprietary property of CommScope Inc. and may be used only for the specific purpose authorized in writing by CommScope Inc.

DRAWN BY: MJP	SHEET: 10 of 1	PART NUMBER: 760240957xx27xS
CHECKED BY:	SCALE:	DESCRIPTION: METRO CELL, 30IN POLE CAB SOLUTION
DATE:	MATERIAL:	DRAWING TYPE:
REVISION: A	FINISH:	
	WEIGHT:	

ALL DIMENSIONS ARE IN INCHES U.O.S.
TOLERANCES UNLESS OTHERWISE SPECIFIED:
.X = ± .12 ANGLES ±2°
.XX = ± .06 FRACTIONS ±1/32
.XXX = ± .031

REMOVE BURRS AND BREAK EDGES .005

DO NOT SCALE THIS PRINT

4

3

2

1

4

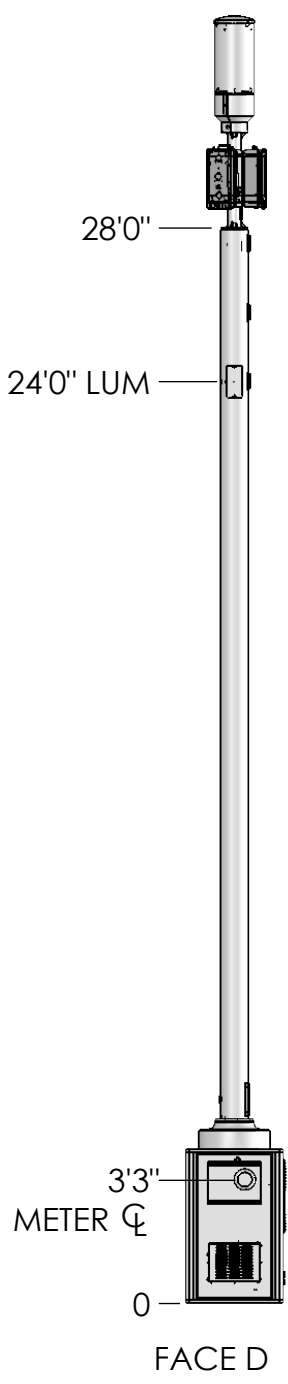
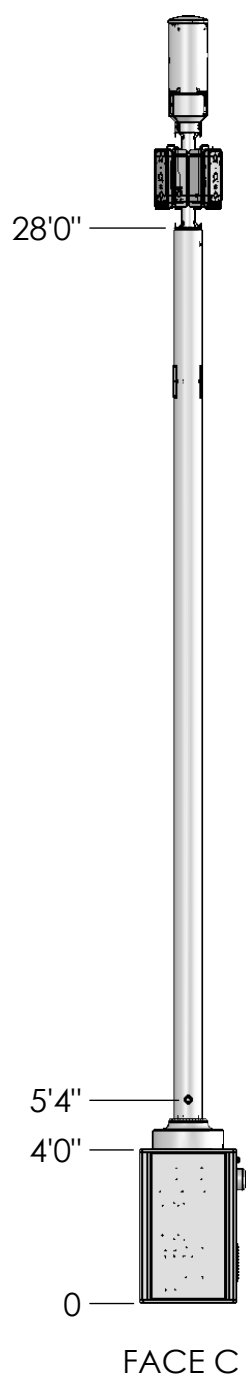
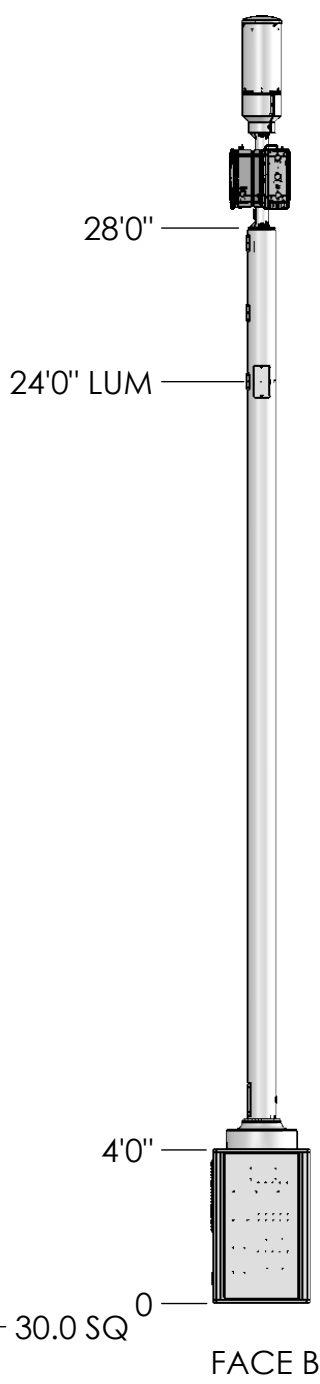
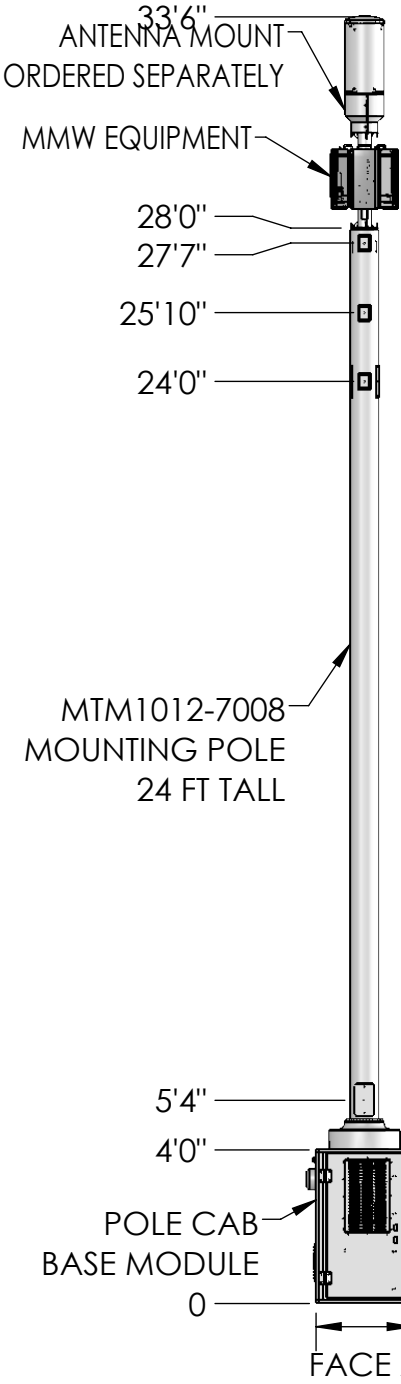
3

2

1

D

D



C

C

B

B

A

A

These drawings and specifications are the proprietary property of CommScope Inc. and may be used only for the specific purpose authorized in writing by CommScope Inc.

DRAWN BY: MJP

SHEET: 11 of 1

PART NUMBER: 760240957xx28xS

CHECKED BY:

SCALE:

DESCRIPTION: METRO CELL, 30IN POLE CAB SOLUTION

DATE:

MATERIAL:

DRAWING TYPE:

REVISION: A

FINISH:

WEIGHT:

COMMSCOPE®

ALL DIMENSIONS ARE IN INCHES U.O.S. TOLERANCES UNLESS OTHERWISE SPECIFIED:

.X = ± .12 ANGLES ±2°
 .XX = ± .06 FRACTIONS ±1/32
 .XXX = ± .031

REMOVE BURRS AND BREAK EDGES .005

DO NOT SCALE THIS PRINT

4

3

2

1

4

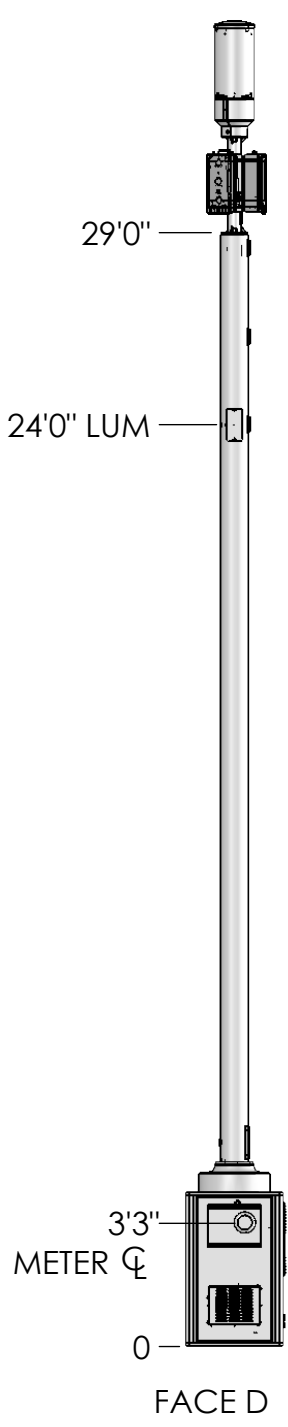
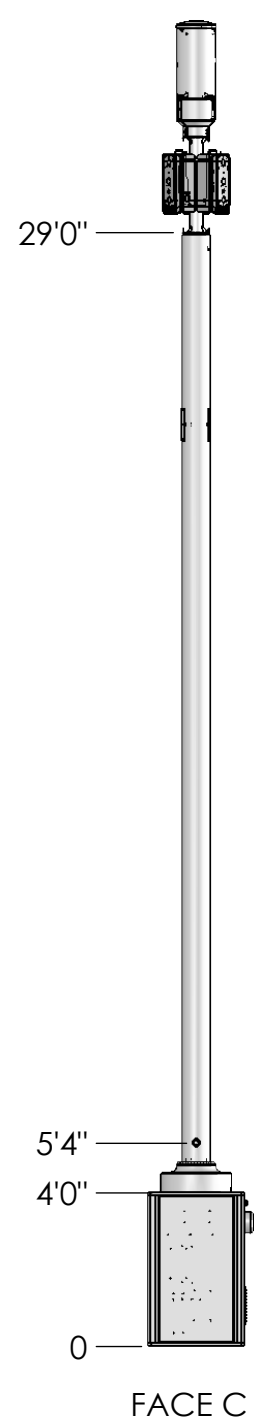
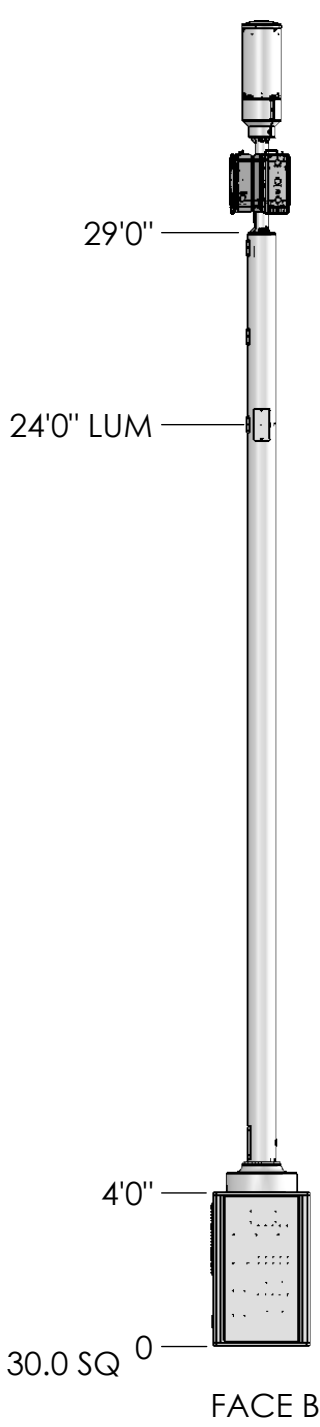
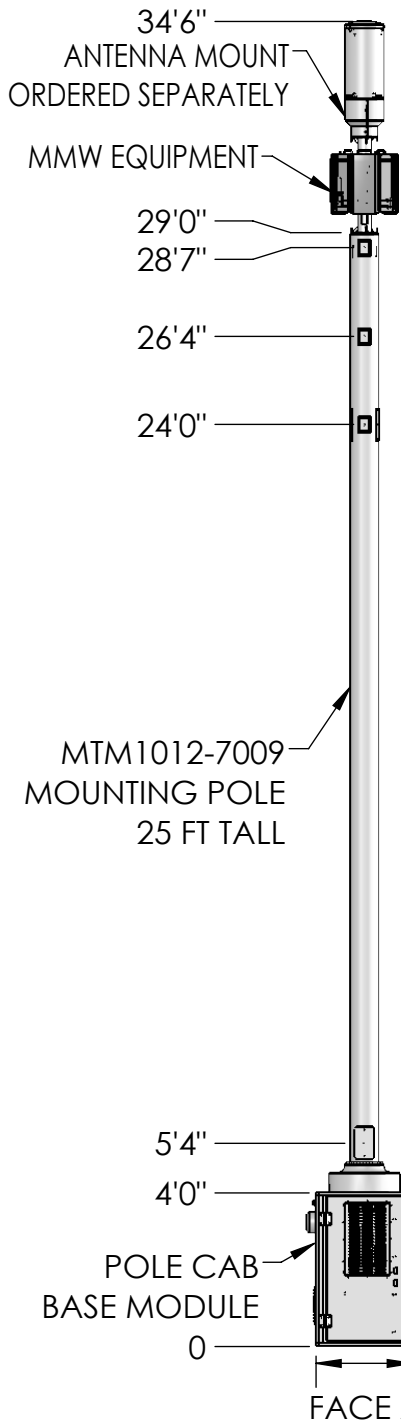
3

2

1

D

D



C

C

B

B

A

A

These drawings and specifications are the proprietary property of CommScope Inc. and may be used only for the specific purpose authorized in writing by CommScope Inc.

DRAWN BY: MJP

SHEET: 12 of 1

PART NUMBER: 760240957xx29xS

CHECKED BY:

SCALE:

DESCRIPTION: METRO CELL, 30IN POLE CAB SOLUTION

DATE:

MATERIAL:

DRAWING TYPE:

REVISION: A

FINISH:

COMMSCOPE®

WEIGHT:

ALL DIMENSIONS ARE IN INCHES U.O.S. TOLERANCES UNLESS OTHERWISE SPECIFIED:

.X = ±	.12	ANGLES	±2°
.XX = ±	.06	FRACTIONS	±1/32
.XXX = ±	.031		

REMOVE BURRS AND BREAK EDGES .005

DO NOT SCALE THIS PRINT

4

3

2

1

4

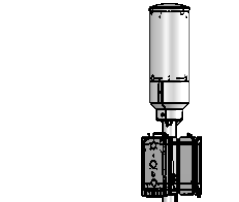
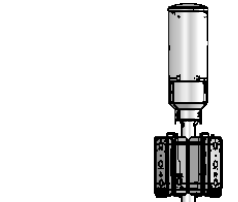
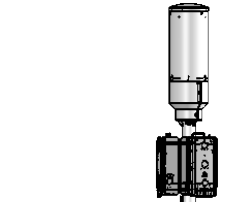
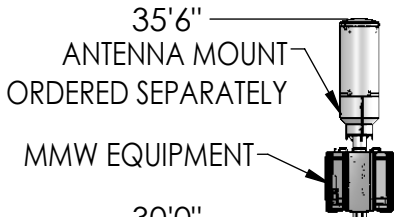
3

2

1

D

D



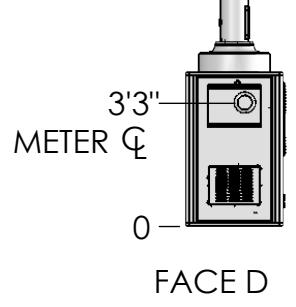
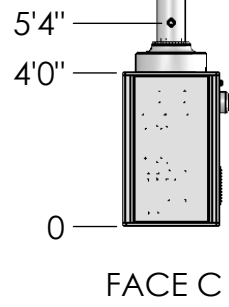
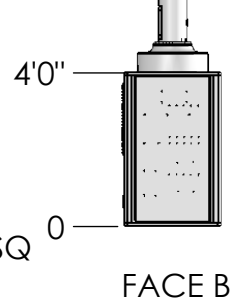
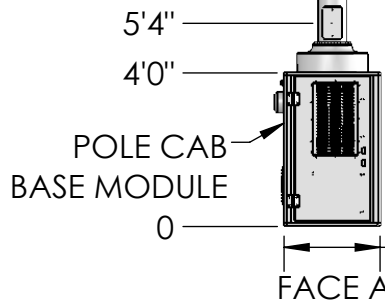
MTM1012-7010
MOUNTING POLE
26 FT TALL

C

C

B

B



A

A

These drawings and specifications are the proprietary property of CommScope Inc. and may be used only for the specific purpose authorized in writing by CommScope Inc.

DRAWN BY: MJP
CHECKED BY:
DATE:
REVISION: A

SHEET: 13 of 1
SCALE:
MATERIAL:

FINISH:
WEIGHT:

PART NUMBER: 760240957xx30xS
DESCRIPTION: METRO CELL, 30IN POLE CAB SOLUTION

DRAWING TYPE:

ALL DIMENSIONS ARE IN INCHES U.O.S.
TOLERANCES UNLESS OTHERWISE SPECIFIED:
.X = ± .12 ANGLES ±2°
.XX = ± .06 FRACTIONS ±1/32
.XXX = ± .031

REMOVE BURRS AND BREAK EDGES .005

DO NOT SCALE THIS PRINT



4

3

2

1

4

3

2

1

D

D

35'6" — ANTENNA MOUNT
ORDERED SEPARATELY

MMW EQUIPMENT

30'0" —

29'7" —

29'0" —

26'10" —

30'0" —

29'0" LUM —

30'0" —

30'0" —

29'0" LUM —

MTM1012-7019
MOUNTING POLE
26 FT TALL

C

C

B

B

5'4" —

4'0" —

POLE CAB
BASE MODULE

0 —

30.0 SQ

FACE A

4'0" —

0 —

FACE B

5'4" —

4'0" —

0 —

FACE C

3'3" —

METER \varnothing

0 —

FACE D

A

A

These drawings and specifications are the proprietary property of CommScope Inc. and may be used only for the specific purpose authorized in writing by CommScope Inc.

DRAWN BY: MJP

SHEET: 14 of 1

PART NUMBER: 760240957xx30xS-2

CHECKED BY:

SCALE:

DESCRIPTION: METRO CELL, 30IN POLE CAB SOLUTION

DATE:

MATERIAL:

DRAWING TYPE:

ALL DIMENSIONS ARE IN INCHES U.O.S. TOLERANCES UNLESS OTHERWISE SPECIFIED:

.X = ± .12 ANGLES ±2°
.XX = ± .06 FRACTIONS ±1/32
.XXX = ± .031

REVISION: A

FINISH:

COMMSCOPE®

WEIGHT:

REMOVE BURRS AND BREAK EDGES .005

DO NOT SCALE THIS PRINT

4

3

2

1

4

3

2

1

D

D

36'6" — ANTENNA MOUNT
 ORDERED SEPARATELY
 MMW EQUIPMENT

31'0" —
 30'7" —

27'4" —

24'0" —

31'0" —

31'0" —

31'0" —

C

C

24'0" LUM

24'0" LUM

MTM1012-7011
 MOUNTING POLE
 27 FT TALL

B

B

5'4" —
 4'0" —

POLE CAB
 BASE MODULE

4'0" —

5'4" —
 4'0" —

3'3" —
 METER \varnothing

0 —

30.0 SQ

0 —

0 —

FACE A

FACE B

FACE C

FACE D

A

A

These drawings and specifications are the proprietary property of CommScope Inc. and may be used only for the specific purpose authorized in writing by CommScope Inc.

DRAWN BY: MJP

SHEET: 15 of 1

PART NUMBER: 760240957xx31xS

CHECKED BY:

SCALE:

DESCRIPTION: METRO CELL, 30IN POLE CAB SOLUTION

DATE:

MATERIAL:

DRAWING TYPE:

ALL DIMENSIONS ARE IN INCHES U.O.S.
 TOLERANCES UNLESS OTHERWISE SPECIFIED:
 .X = ± .12 ANGLES ±2°
 .XX = ± .06 FRACTIONS ±1/32
 .XXX = ± .031

REMOVE BURRS AND BREAK EDGES .005

REVISION: A

FINISH:

WEIGHT:

COMMSCOPE®

DO NOT SCALE THIS PRINT

4

3

2

1

4

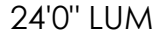
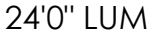
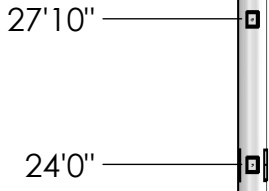
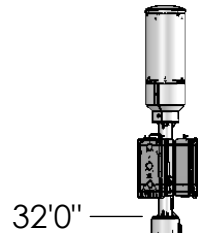
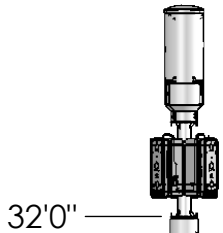
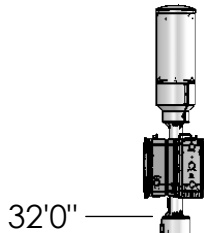
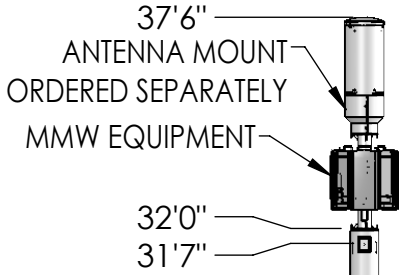
3

2

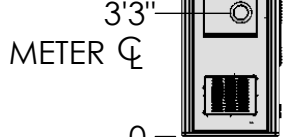
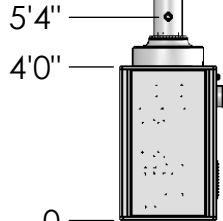
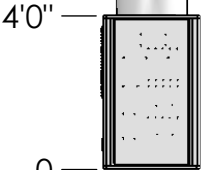
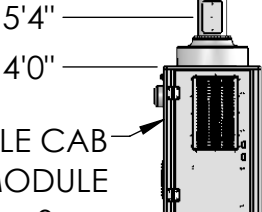
1

D

D



MTM1012-7012
MOUNTING POLE
28 FT TALL



POLE CAB
BASE MODULE

METER \varnothing



FACE B

FACE C

FACE D

C

C

B

B

A

A

These drawings and specifications are the proprietary property of CommScope Inc. and may be used only for the specific purpose authorized in writing by CommScope Inc.

DRAWN BY:
MJP

SHEET:
16 of 1

PART NUMBER:
760240957xx32xS

CHECKED BY:

SCALE:

DESCRIPTION:
METRO CELL, 30IN POLE CAB SOLUTION

DATE:

MATERIAL:

DRAWING TYPE:

ALL DIMENSIONS ARE IN INCHES U.O.S.
TOLERANCES UNLESS OTHERWISE SPECIFIED:
.X = ± .12 ANGLES ±2°
.XX = ± .06 FRACTIONS ±1/32
.XXX = ± .031

REVISION:
A

FINISH:
WEIGHT:

COMMSCOPE®

REMOVE BURRS AND BREAK EDGES .005

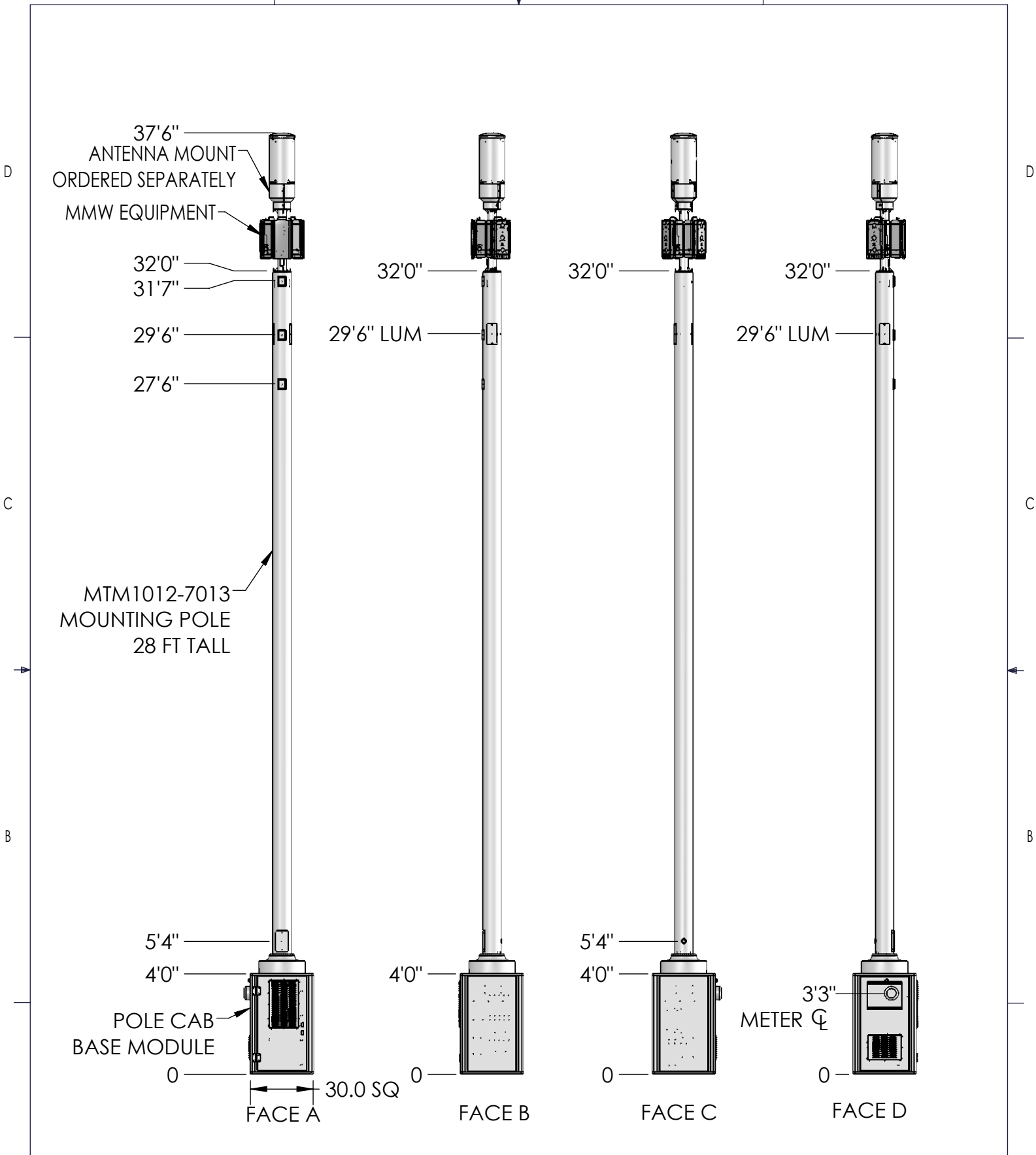
DO NOT SCALE THIS PRINT

4

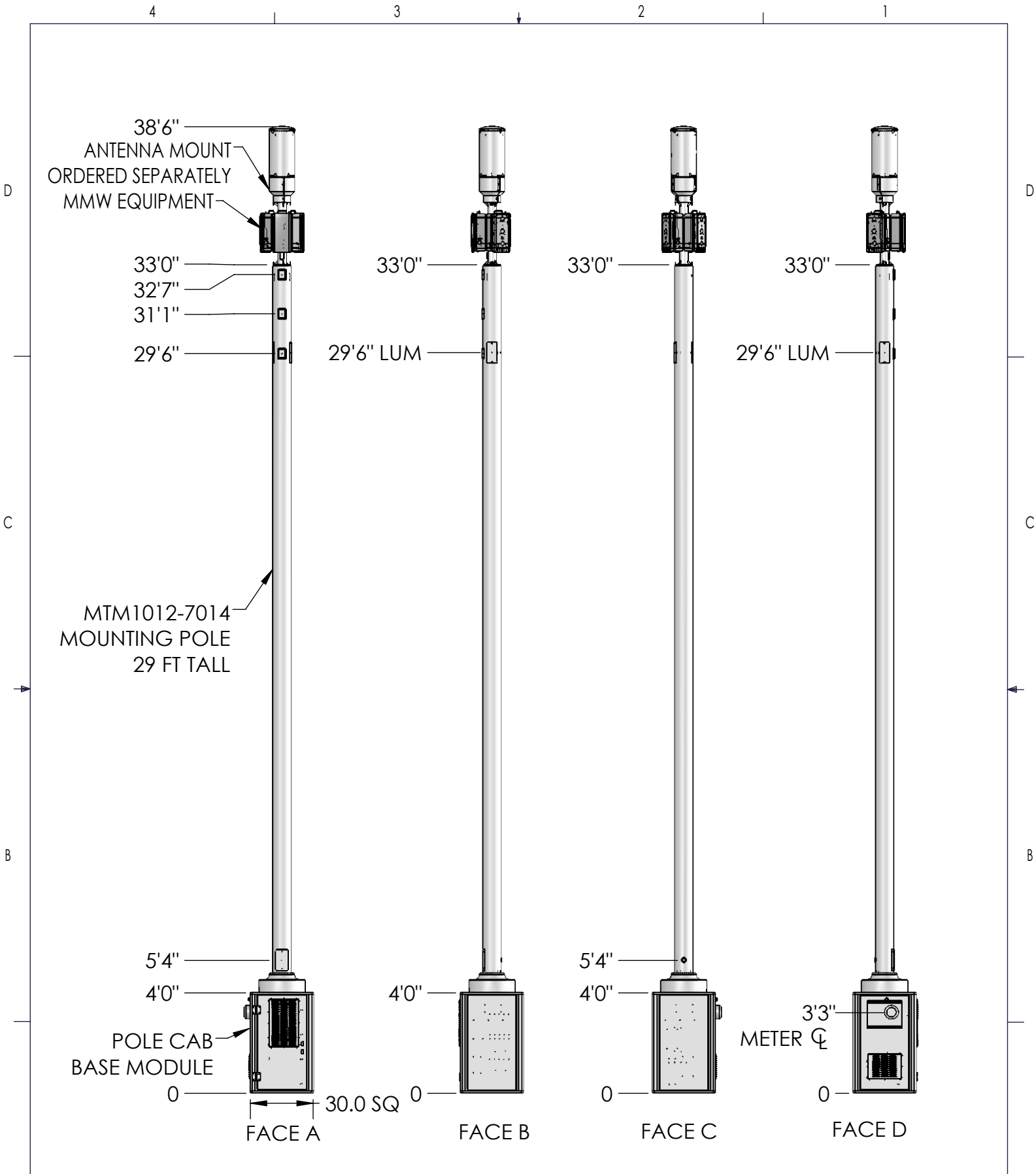
3

2

1



<p>These drawings and specifications are the proprietary property of CommScope Inc. and may be used only for the specific purpose authorized in writing by CommScope Inc.</p> <p>ALL DIMENSIONS ARE IN INCHES U.O.S. TOLERANCES UNLESS OTHERWISE SPECIFIED:</p> <p>.X = ± .12 ANGLES ±2°</p> <p>.XX = ± .06 FRACTIONS ±1/32</p> <p>.XXX = ± .031</p> <p>REMOVE BURRS AND BREAK EDGES .005</p> <p>DO NOT SCALE THIS PRINT</p>	<p>DRAWN BY: MJP</p>	<p>SHEET: 17 of 1</p>	<p>PART NUMBER: 760240957xx32xS-2</p>
	<p>CHECKED BY:</p>	<p>SCALE:</p>	<p>DESCRIPTION: METRO CELL, 30IN POLE CAB SOLUTION</p>
	<p>DATE:</p>	<p>MATERIAL:</p>	<p>DRAWING TYPE:</p>
	<p>REVISION: A</p>	<p>FINISH:</p>	<p>WEIGHT:</p>



<p>These drawings and specifications are the proprietary property of CommScope Inc. and may be used only for the specific purpose authorized in writing by CommScope Inc.</p> <p>ALL DIMENSIONS ARE IN INCHES U.O.S. TOLERANCES UNLESS OTHERWISE SPECIFIED:</p> <p>.X = ± .12 ANGLES ±2° .XX = ± .06 FRACTIONS ±1/32 .XXX = ± .031</p> <p>REMOVE BURRS AND BREAK EDGES .005</p> <p>DO NOT SCALE THIS PRINT</p>	<p>DRAWN BY: MJP</p>	<p>SHEET: 18 of 1</p>	<p>PART NUMBER: 760240957xx33xS</p>
	<p>CHECKED BY:</p>	<p>SCALE:</p>	<p>DESCRIPTION: METRO CELL, 40IN POLE CAB SOLUTION</p>
	<p>DATE:</p>	<p>MATERIAL:</p>	<p>DRAWING TYPE:</p>
	<p>REVISION: A</p>	<p>FINISH:</p>	<p>WEIGHT:</p>

4

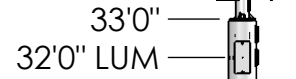
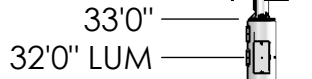
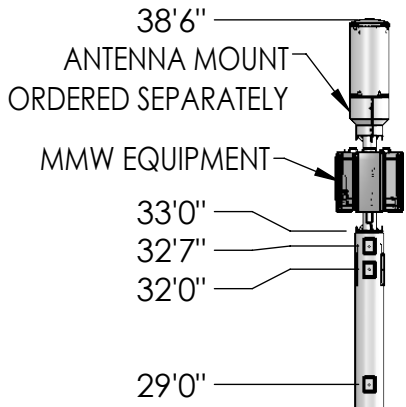
3

2

1

D

D



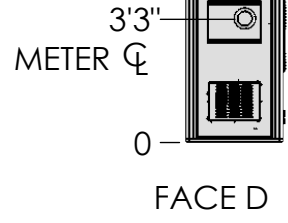
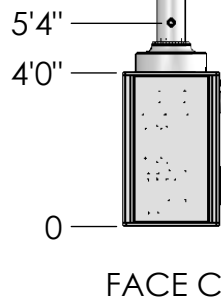
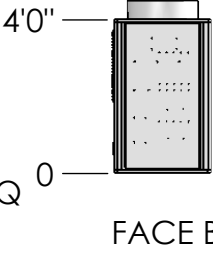
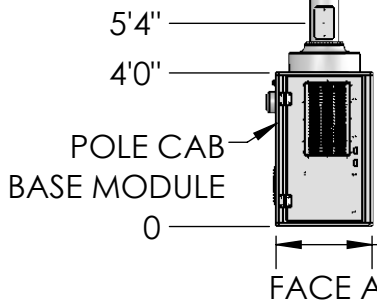
MTM1012-7020
MOUNTING POLE
29 FT TALL

C

C

B

B



A

A

These drawings and specifications are the proprietary property of CommScope Inc. and may be used only for the specific purpose authorized in writing by CommScope Inc.

DRAWN BY: MJP

SHEET: 19 of 1

PART NUMBER: 760240957xx33xS-2

CHECKED BY:

SCALE:

DESCRIPTION: METRO CELL, 30IN POLE CAB SOLUTION

DATE:

MATERIAL:

DRAWING TYPE:

REVISION: A

FINISH:

COMMSCOPE®

WEIGHT:

ALL DIMENSIONS ARE IN INCHES U.O.S.
TOLERANCES UNLESS OTHERWISE SPECIFIED:
.X = ± .12 ANGLES ±2°
.XX = ± .06 FRACTIONS ±1/32
.XXX = ± .031

REMOVE BURRS AND BREAK EDGES .005

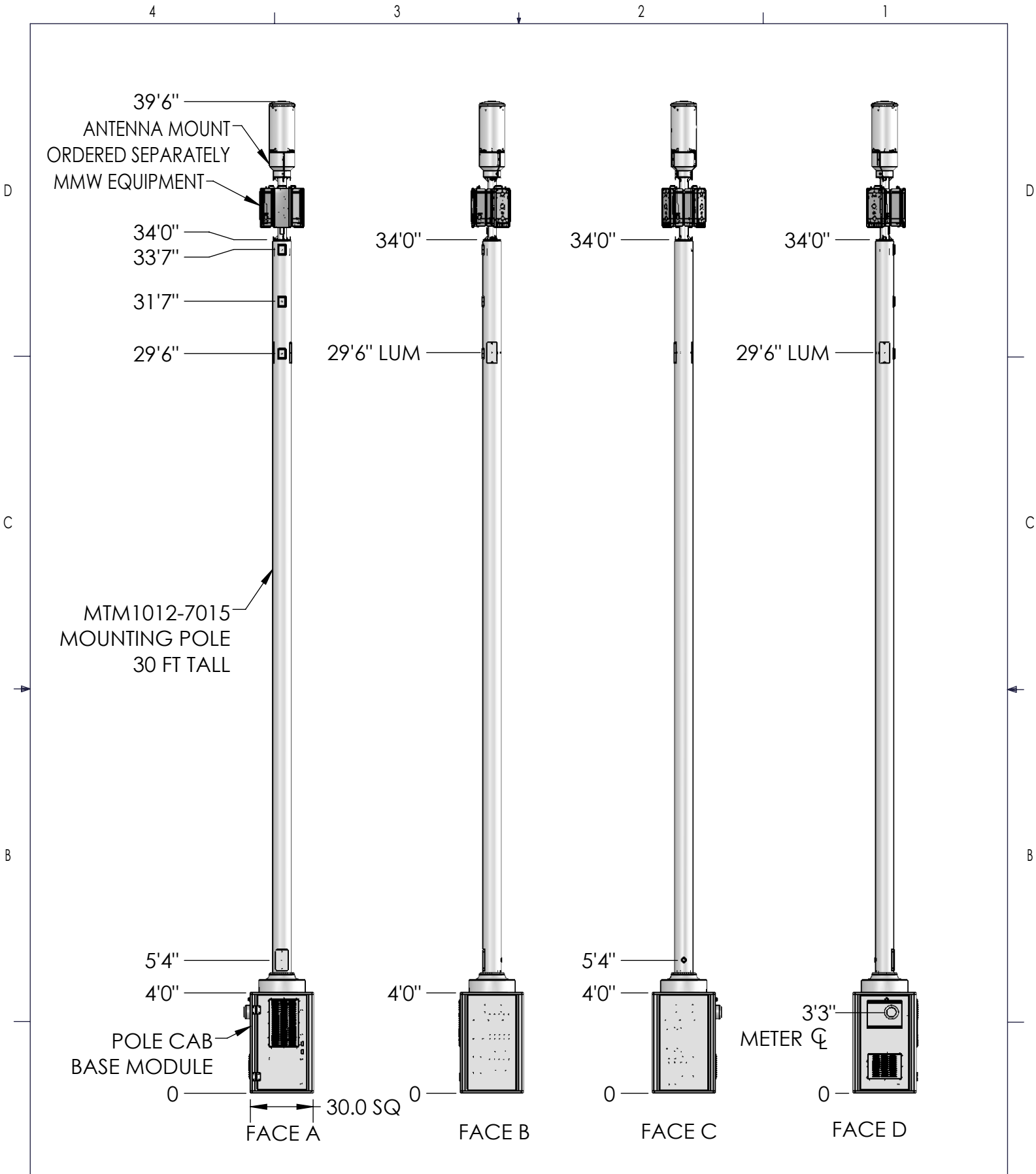
DO NOT SCALE THIS PRINT

4

3

2

1



39'6"
 ANTENNA MOUNT
 ORDERED SEPARATELY
 MMW EQUIPMENT

34'0"
 33'7"
 31'7"
 29'6"

29'6" LUM

34'0"

34'0"

MTM1012-7015
 MOUNTING POLE
 30 FT TALL

5'4"
 4'0"
 POLE CAB
 BASE MODULE
 0
 FACE A

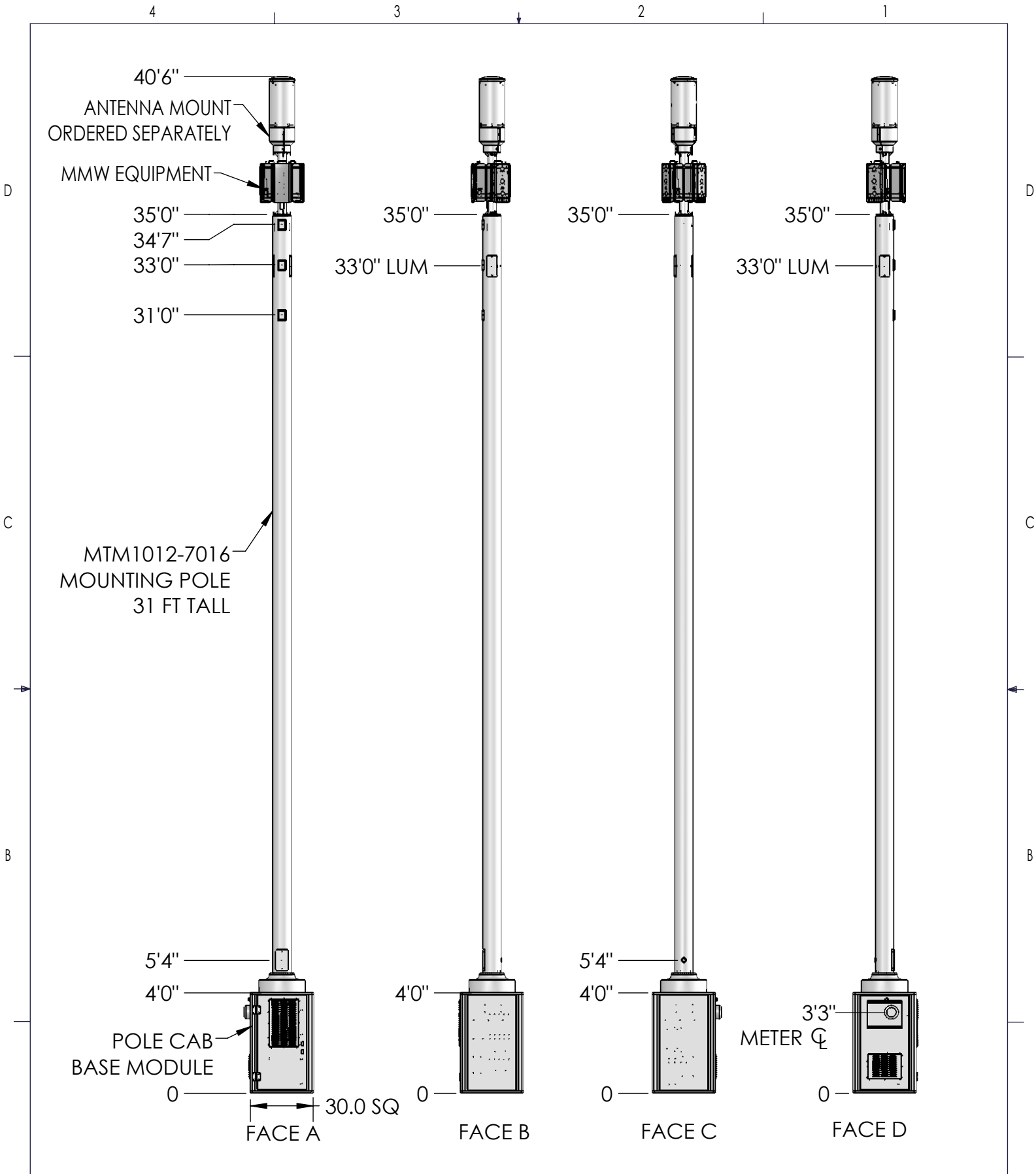
4'0"
 0
 FACE B

5'4"
 4'0"
 0
 FACE C

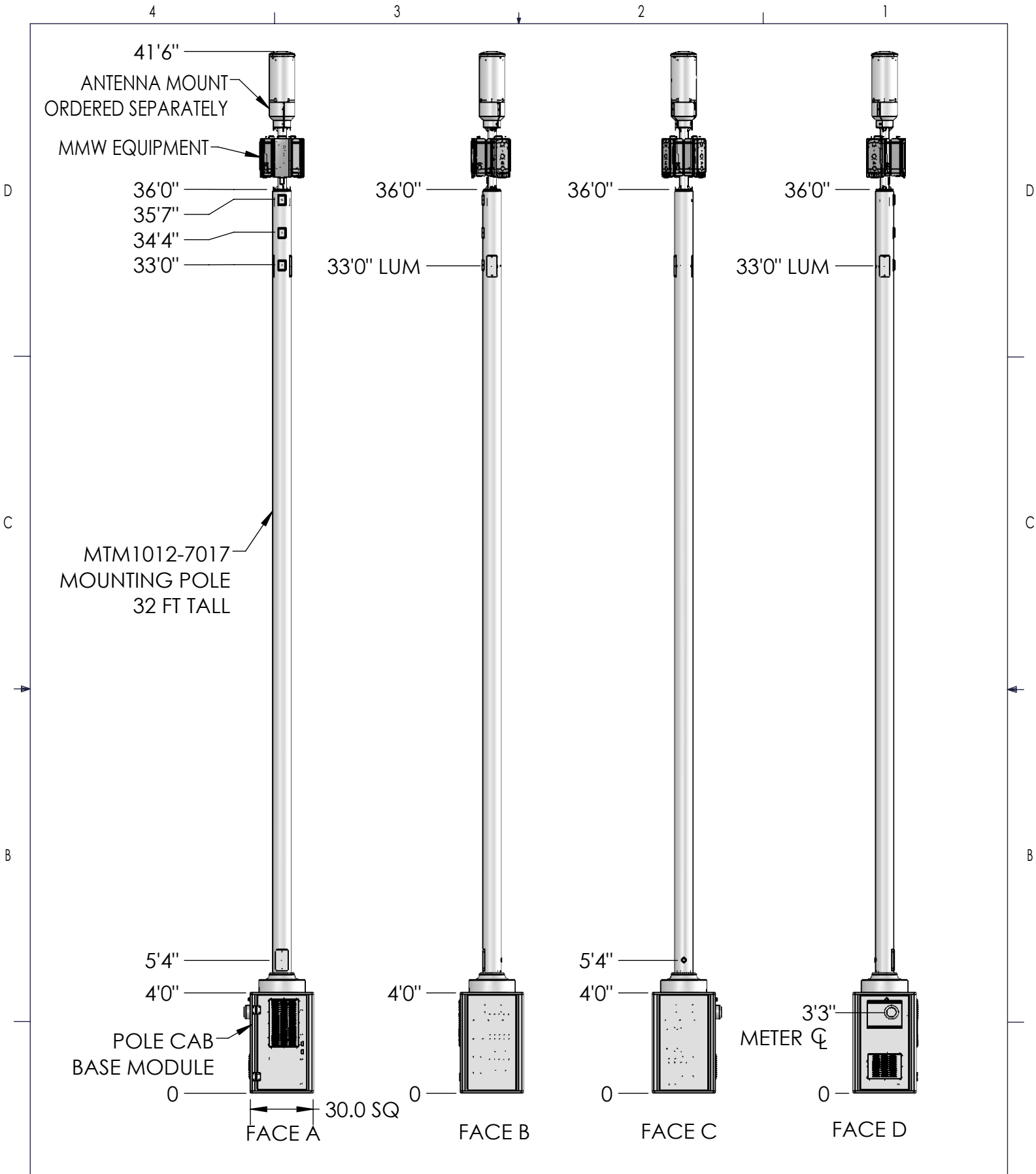
3'3"
 METER \varnothing
 0
 FACE D

30.0 SQ

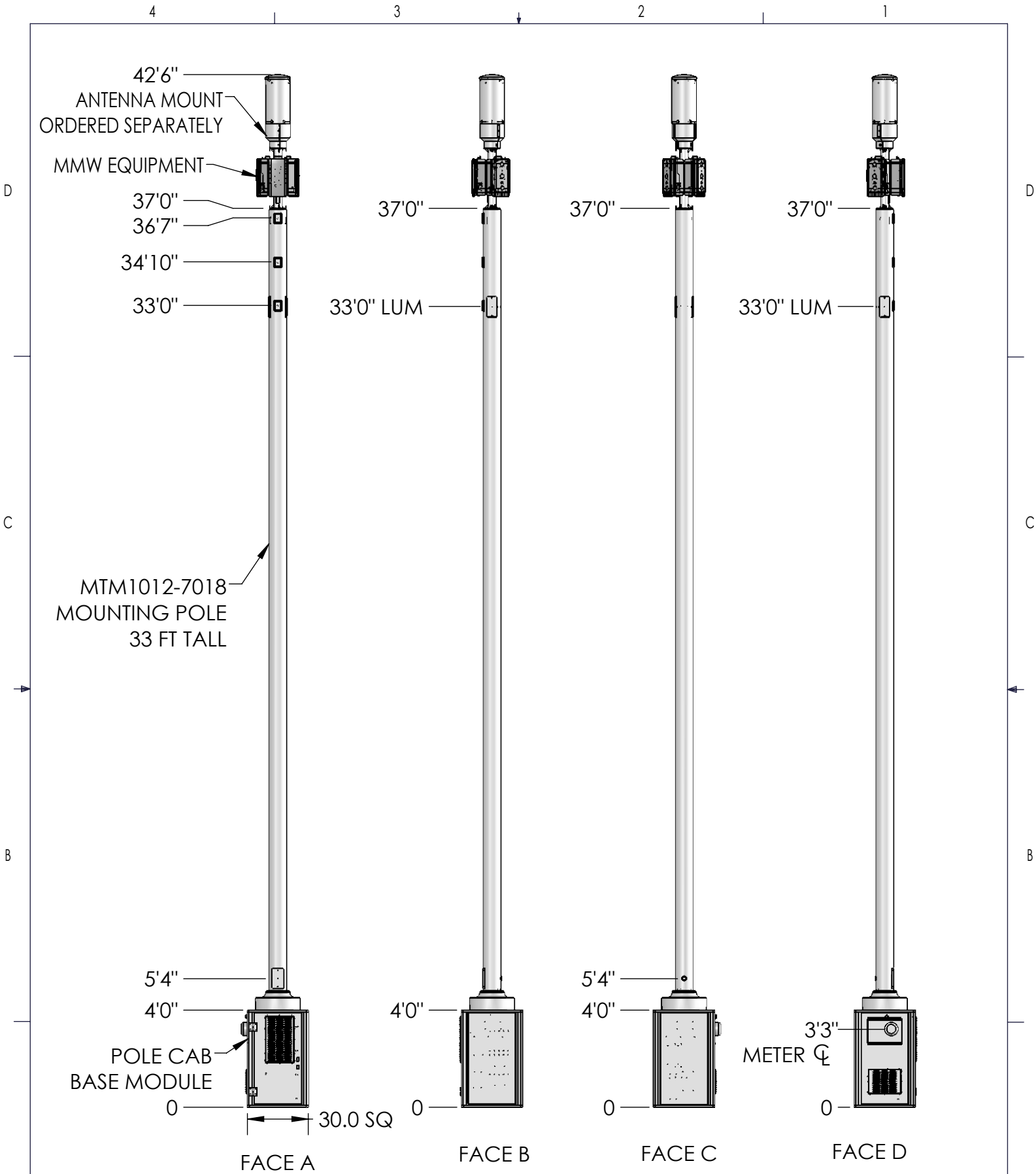
<p>These drawings and specifications are the proprietary property of CommScope Inc. and may be used only for the specific purpose authorized in writing by CommScope Inc.</p> <p>ALL DIMENSIONS ARE IN INCHES U.O.S. TOLERANCES UNLESS OTHERWISE SPECIFIED:</p> <p>.X = ± .12 ANGLES ±2° .XX = ± .06 FRACTIONS ±1/32 .XXX = ± .031</p> <p>REMOVE BURRS AND BREAK EDGES .005</p> <p>DO NOT SCALE THIS PRINT</p>	DRAWN BY: MJP	SHEET: 20 of 1	PART NUMBER: 760240957xx34xS
	CHECKED BY:	SCALE:	DESCRIPTION: METRO CELL, 30IN POLE CAB SOLUTION
	DATE:	MATERIAL:	DRAWING TYPE:
	REVISION: A	FINISH:	
		WEIGHT:	



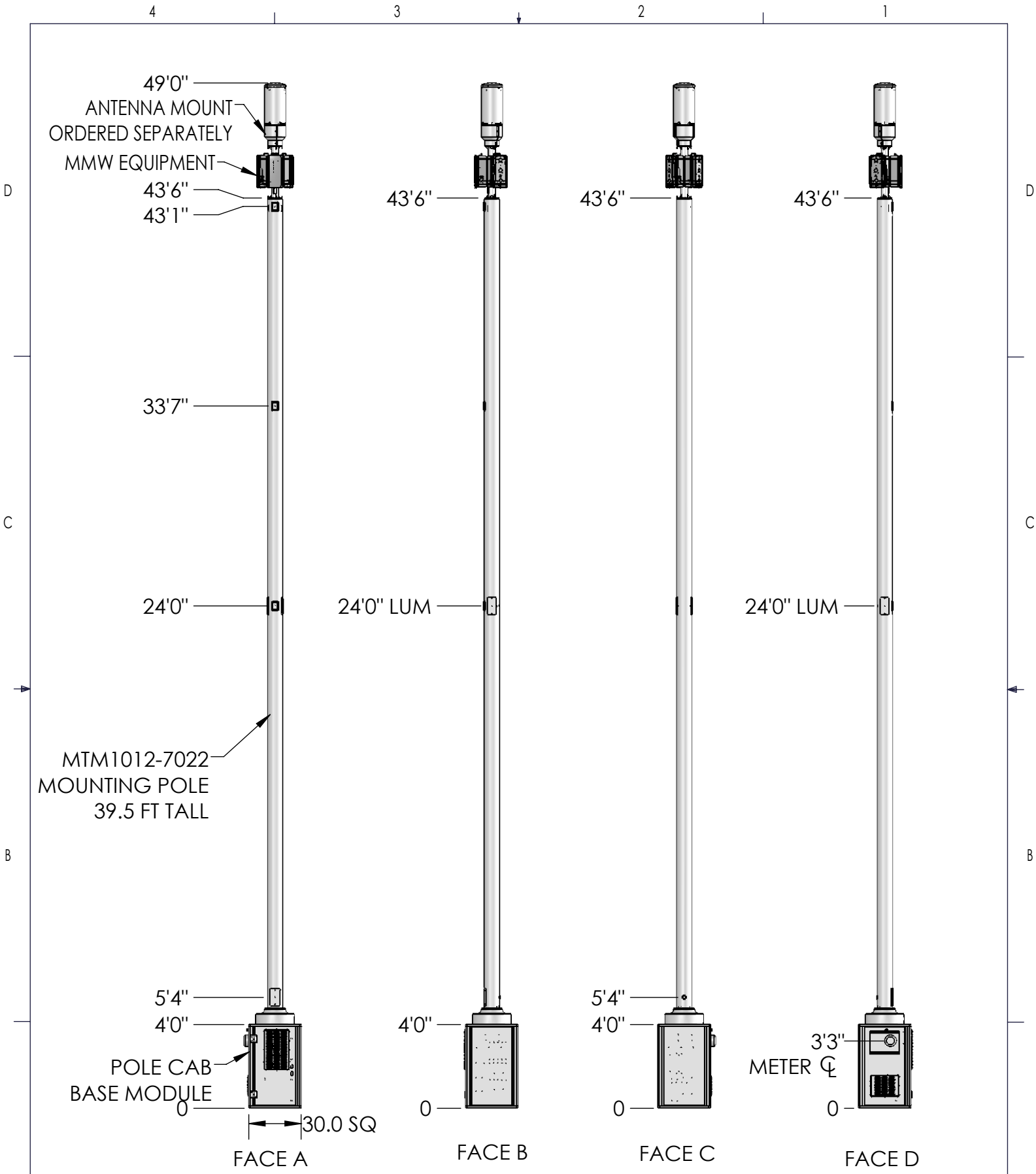
<p>These drawings and specifications are the proprietary property of Commscope Inc. and may be used only for the specific purpose authorized in writing by Commscope Inc.</p> <p>ALL DIMENSIONS ARE IN INCHES U.O.S. TOLERANCES UNLESS OTHERWISE SPECIFIED:</p> <p>.X = ± .12 ANGLES ±2°</p> <p>.XX = ± .06 FRACTIONS ±1/32</p> <p>.XXX = ± .031</p> <p>REMOVE BURRS AND BREAK EDGES .005</p> <p>DO NOT SCALE THIS PRINT</p>	<p>DRAWN BY: MJP</p>	<p>SHEET: 21 of 1</p>	<p>PART NUMBER: 760240957xx35xS</p>
	<p>CHECKED BY:</p>	<p>SCALE:</p>	<p>DESCRIPTION: METRO CELL, 30IN POLE CAB SOLUTION</p>
	<p>DATE:</p>	<p>MATERIAL:</p>	<p>DRAWING TYPE:</p>
	<p>REVISION: A</p>	<p>FINISH:</p>	<p>WEIGHT:</p>



<p>These drawings and specifications are the proprietary property of CommScope Inc. and may be used only for the specific purpose authorized in writing by CommScope Inc.</p> <p>ALL DIMENSIONS ARE IN INCHES U.O.S. TOLERANCES UNLESS OTHERWISE SPECIFIED:</p> <p>.X = ± .12 ANGLES ±2° .XX = ± .06 FRACTIONS ±1/32 .XXX = ± .031</p> <p>REMOVE BURRS AND BREAK EDGES .005</p> <p>DO NOT SCALE THIS PRINT</p>	DRAWN BY: MJP	SHEET: 22 of 1	PART NUMBER: 760240957xx36xS
	CHECKED BY:	SCALE:	DESCRIPTION: METRO CELL, 30IN POLE CAB SOLUTION
	DATE:	MATERIAL:	DRAWING TYPE:
	REVISION: A	FINISH:	
	WEIGHT:		



<p>These drawings and specifications are the proprietary property of CommScope Inc. and may be used only for the specific purpose authorized in writing by CommScope Inc.</p> <p>ALL DIMENSIONS ARE IN INCHES U.O.S. TOLERANCES UNLESS OTHERWISE SPECIFIED:</p> <p>.X = ± .12 ANGLES ±2°</p> <p>.XX = ± .06 FRACTIONS ±1/32</p> <p>.XXX = ± .031</p> <p>REMOVE BURRS AND BREAK EDGES .005</p> <p>DO NOT SCALE THIS PRINT</p>	<p>DRAWN BY: MJP</p>	<p>SHEET: 23 of 1</p>	<p>PART NUMBER: 760240957xx37xS</p>
	<p>CHECKED BY:</p>	<p>SCALE:</p>	<p>DESCRIPTION: METRO CELL, 30IN POLE CAB SOLUTION</p>
	<p>DATE:</p>	<p>MATERIAL:</p>	<p>DRAWING TYPE:</p>
	<p>REVISION: A</p>	<p>FINISH:</p>	<p>WEIGHT:</p>



49'0"
 ANTENNA MOUNT
 ORDERED SEPARATELY
 MMW EQUIPMENT
 43'6"
 43'1"

33'7"

24'0"

MTM1012-7022
 MOUNTING POLE
 39.5 FT TALL

5'4"
 4'0"
 POLE CAB
 BASE MODULE

30.0 SQ

FACE A

43'6"

24'0" LUM

4'0"

0

FACE B

43'6"

5'4"

4'0"

0

FACE C

43'6"

3'3"
 METER

0

FACE D

These drawings and specifications are the proprietary property of Commscope Inc. and may be used only for the specific purpose authorized in writing by Commscope Inc.

DRAWN BY: MJP

SHEET: 24 of 1

PART NUMBER: 760240957xx44xS

CHECKED BY:

SCALE:

DESCRIPTION: METRO CELL, 30IN POLE CAB SOLUTION

DATE:

MATERIAL:

DRAWING TYPE:

REVISION: A

FINISH:

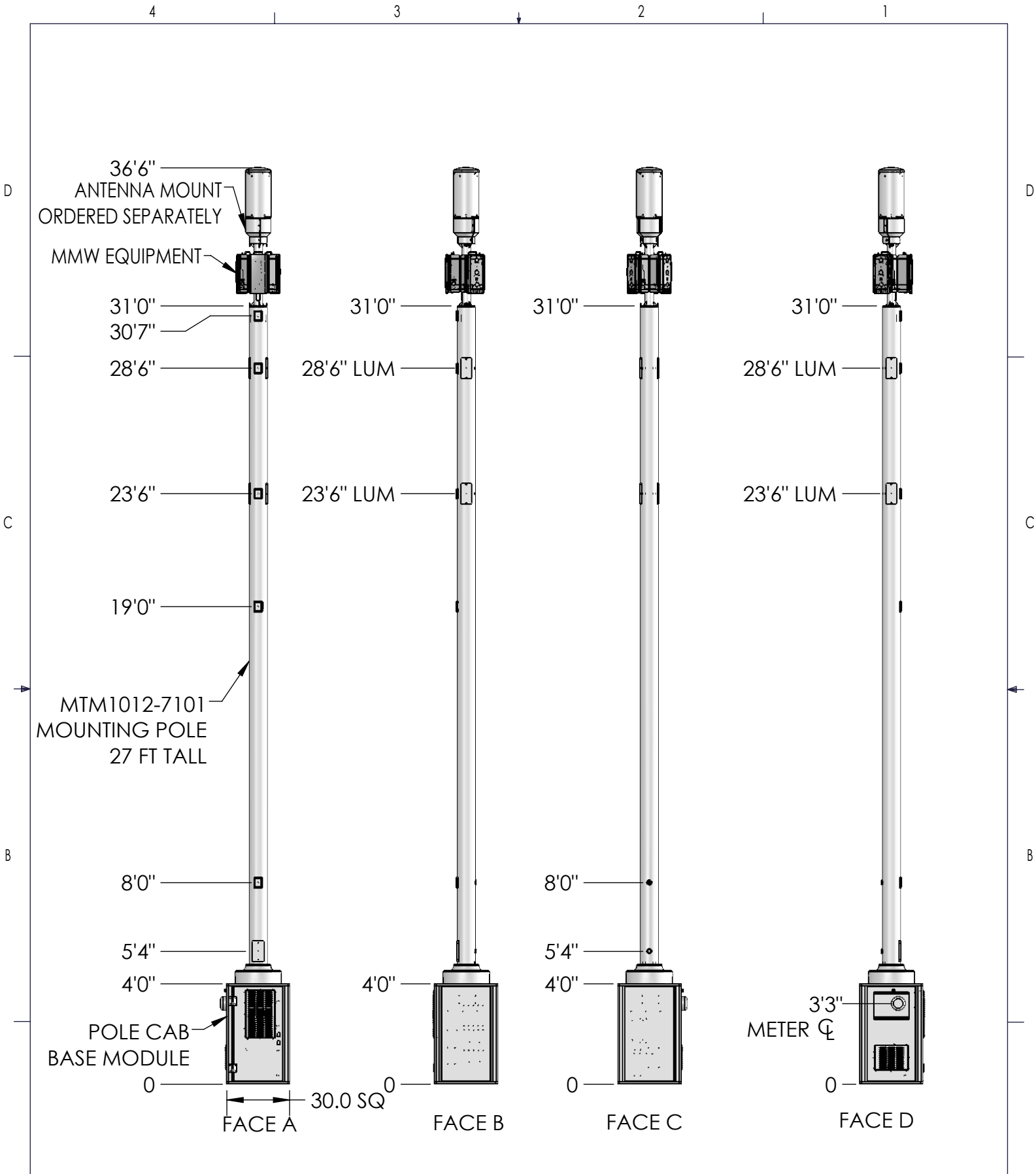
WEIGHT:

COMMSCOPE®

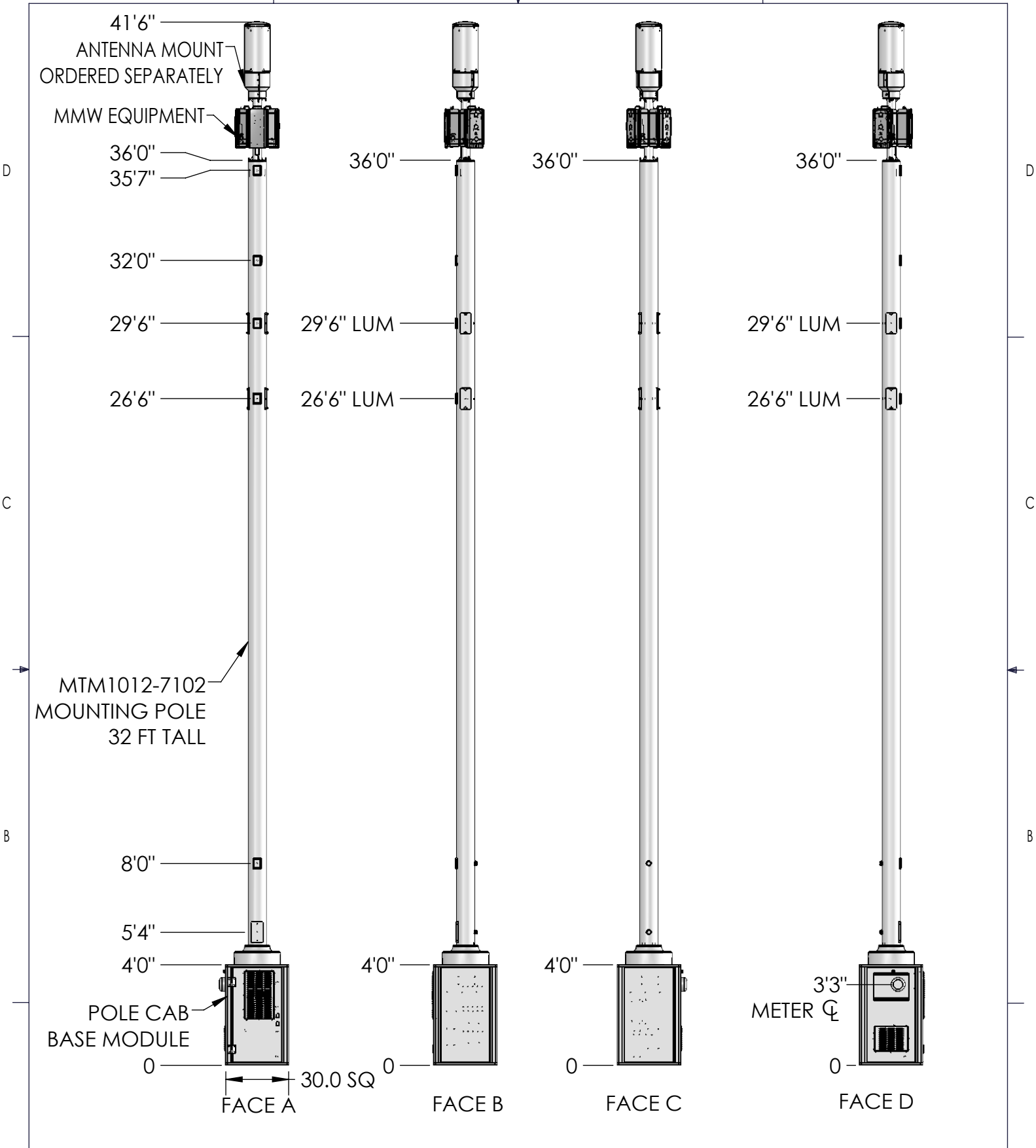
ALL DIMENSIONS ARE IN INCHES U.O.S.
 TOLERANCES UNLESS OTHERWISE SPECIFIED:
 .X = ± .12 ANGLES ±2°
 .XX = ± .06 FRACTIONS ±1/32
 .XXX = ± .031

REMOVE BURRS AND BREAK EDGES .005

DO NOT SCALE THIS PRINT



<p>These drawings and specifications are the proprietary property of Commscope Inc. and may be used only for the specific purpose authorized in writing by Commscope Inc.</p> <p>ALL DIMENSIONS ARE IN INCHES U.O.S. TOLERANCES UNLESS OTHERWISE SPECIFIED:</p> <p>.X = ± .12 ANGLES ±2°</p> <p>.XX = ± .06 FRACTIONS ±1/32</p> <p>.XXX = ± .031</p> <p>REMOVE BURRS AND BREAK EDGES .005</p> <p>DO NOT SCALE THIS PRINT</p>	<p>DRAWN BY: MJP</p>	<p>SHEET: 25 of 1</p>	<p>PART NUMBER: 760240957xx31xS ALT POLE</p>
	<p>CHECKED BY:</p>	<p>SCALE:</p>	<p>DESCRIPTION: METRO CELL, 30IN POLE CAB SOLUTION</p>
	<p>DATE:</p>	<p>MATERIAL:</p>	<p>DRAWING TYPE:</p>
	<p>REVISION: A</p>	<p>FINISH:</p>	<p>COMMSCOPE®</p>
		<p>WEIGHT:</p>	



These drawings and specifications are the proprietary property of Commscope Inc. and may be used only for the specific purpose authorized in writing by Commscope Inc.

ALL DIMENSIONS ARE IN INCHES U.O.S.
TOLERANCES UNLESS OTHERWISE SPECIFIED:

.X = ±	.12	ANGLES	±2°
.XX = ±	.06	FRACTIONS	±1/32
.XXX = ±	.031		

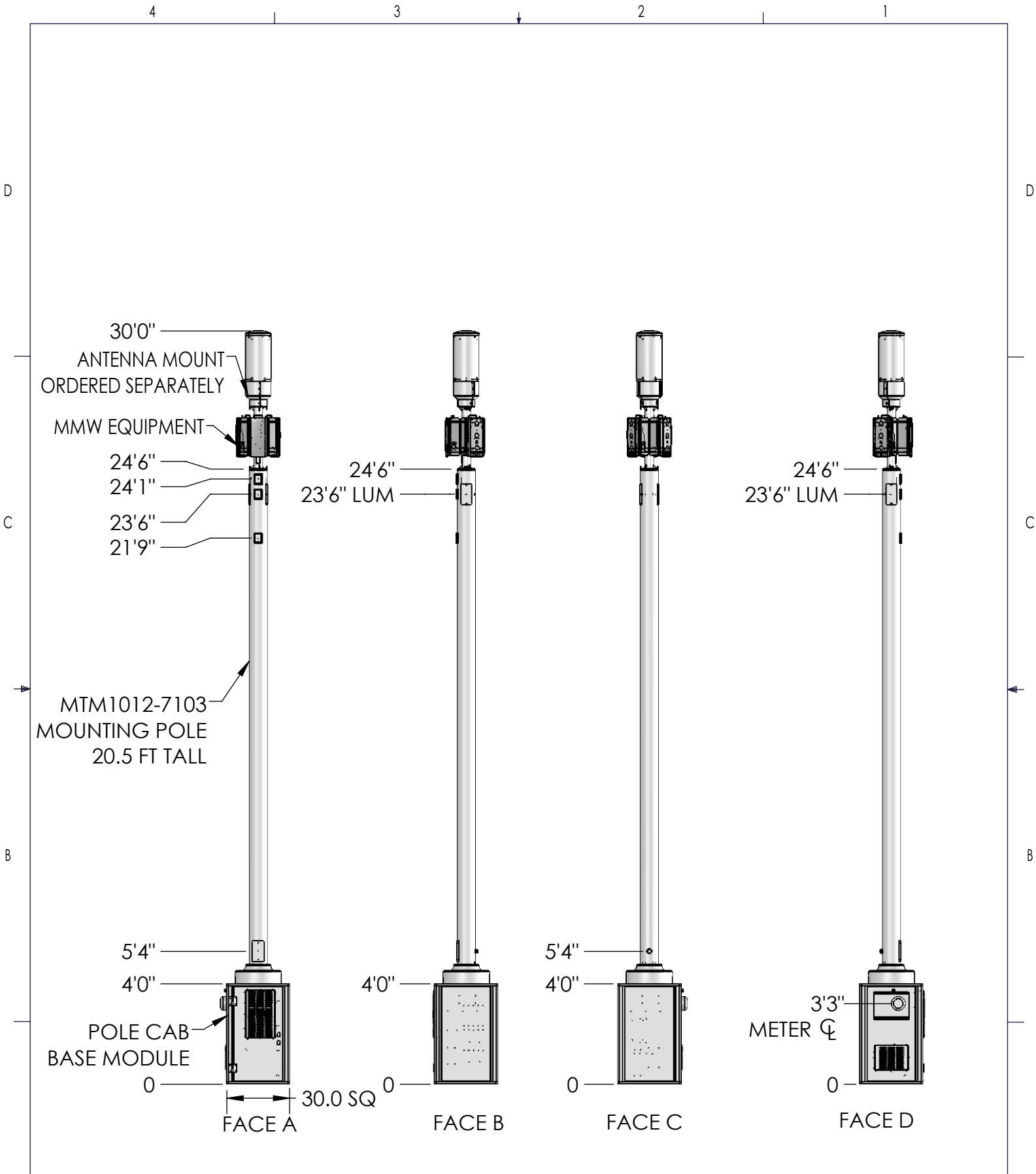
REMOVE BURRS AND BREAK EDGES .005

DO NOT SCALE THIS PRINT

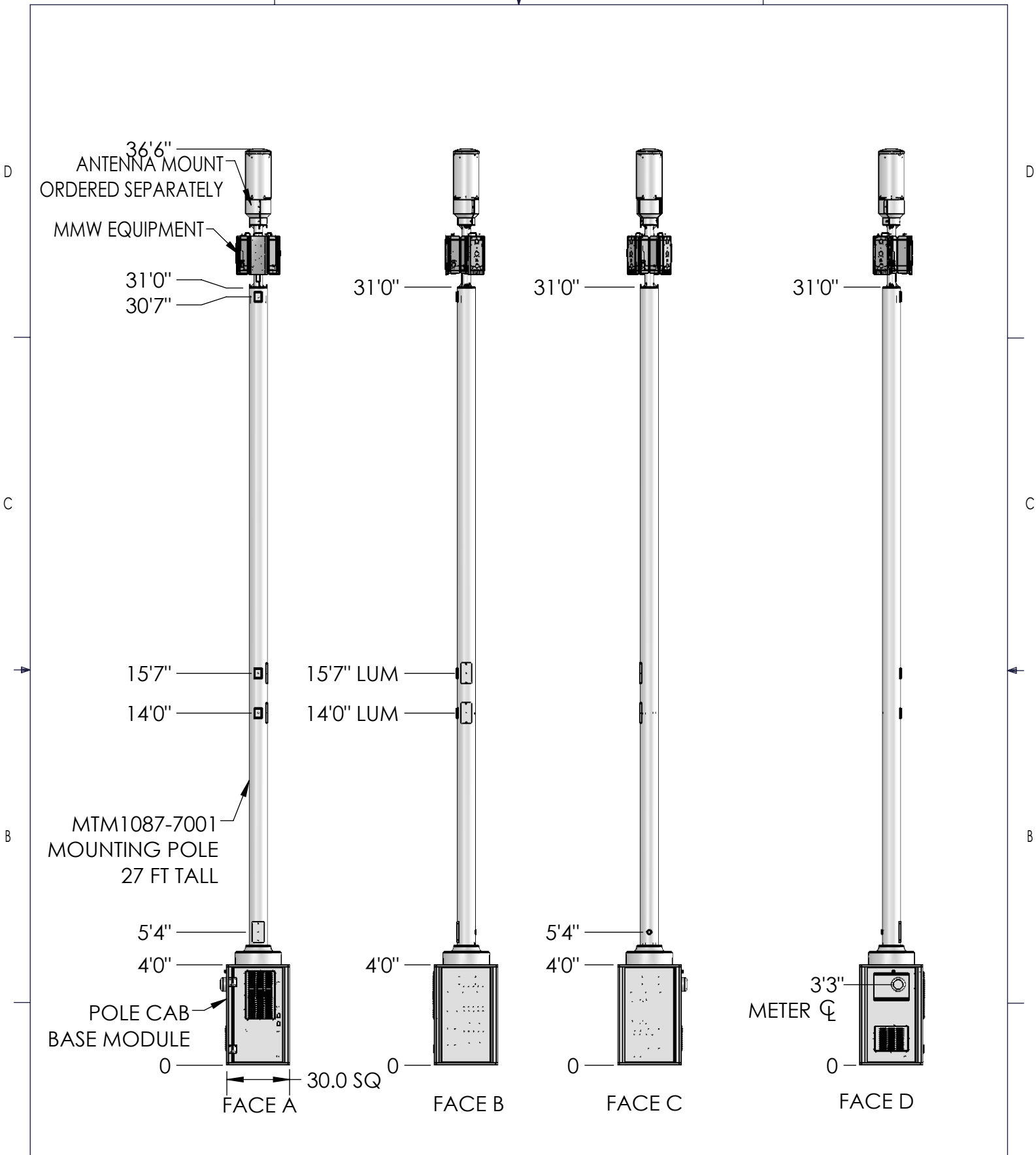
DRAWN BY: MJP	SHEET: 26 of 1
CHECKED BY:	SCALE:
DATE:	MATERIAL:
REVISION: A	FINISH: WEIGHT:

PART NUMBER: 760240957xx36xS ALT POLE
DESCRIPTION: METRO CELL, 30IN POLE CAB SOLUTION
DRAWING TYPE:





<p>These drawings and specifications are the proprietary property of CommScope Inc. and may be used only for the specific purpose authorized in writing by CommScope Inc.</p> <p>ALL DIMENSIONS ARE IN INCHES U.O.S. TOLERANCES UNLESS OTHERWISE SPECIFIED:</p> <p>.X = ± .12 ANGLES ±2°</p> <p>.XX = ± .06 FRACTIONS ±1/32</p> <p>.XXX = ± .031</p> <p>REMOVE BURRS AND BREAK EDGES .005</p> <p>DO NOT SCALE THIS PRINT</p>	<p>DRAWN BY: MJP</p>	<p>SHEET: 27 of 1</p>	<p>PART NUMBER: 760240957xx25xS ALT POLE</p>
	<p>CHECKED BY:</p>	<p>SCALE:</p>	<p>DESCRIPTION: METRO CELL, 30IN POLE CAB SOLUTION</p>
	<p>DATE:</p>	<p>MATERIAL:</p>	<p>DRAWING TYPE:</p>
	<p>REVISION: A</p>	<p>FINISH:</p>	<p>COMMSCOPE®</p>
		<p>WEIGHT:</p>	



<p>These drawings and specifications are the proprietary property of Commscope Inc. and may be used only for the specific purpose authorized in writing by Commscope Inc.</p> <p>ALL DIMENSIONS ARE IN INCHES U.O.S. TOLERANCES UNLESS OTHERWISE SPECIFIED:</p> <p>.X = ± .12 ANGLES ±2° .XX = ± .06 FRACTIONS ±1/32 .XXX = ± .031</p> <p>REMOVE BURRS AND BREAK EDGES .005</p> <p>DO NOT SCALE THIS PRINT</p>	DRAWN BY: MJP	SHEET: 28 of 1	PART NUMBER: 760240957xx31xS ALT POLE-2
	CHECKED BY:	SCALE:	DESCRIPTION: METRO CELL, 30IN POLE CAB SOLUTION
	DATE:	MATERIAL:	DRAWING TYPE:
	REVISION: A	FINISH:	WEIGHT:

