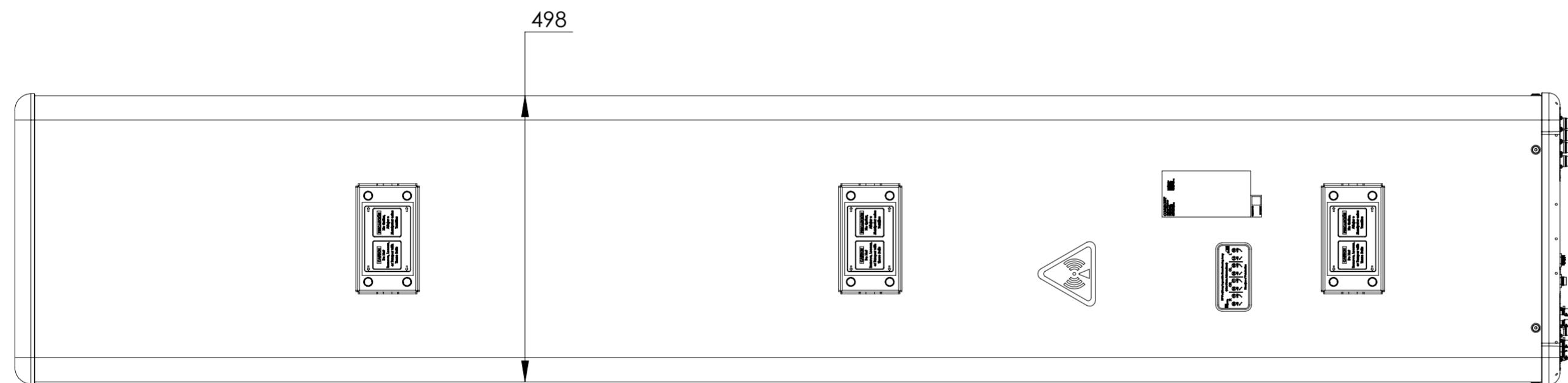
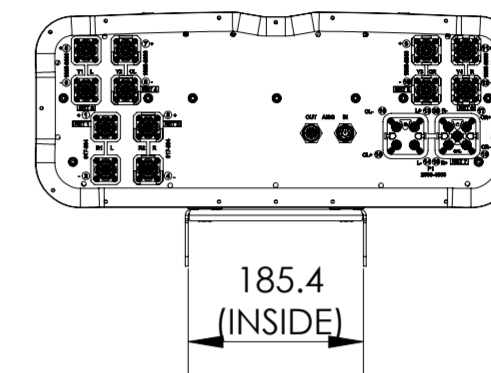
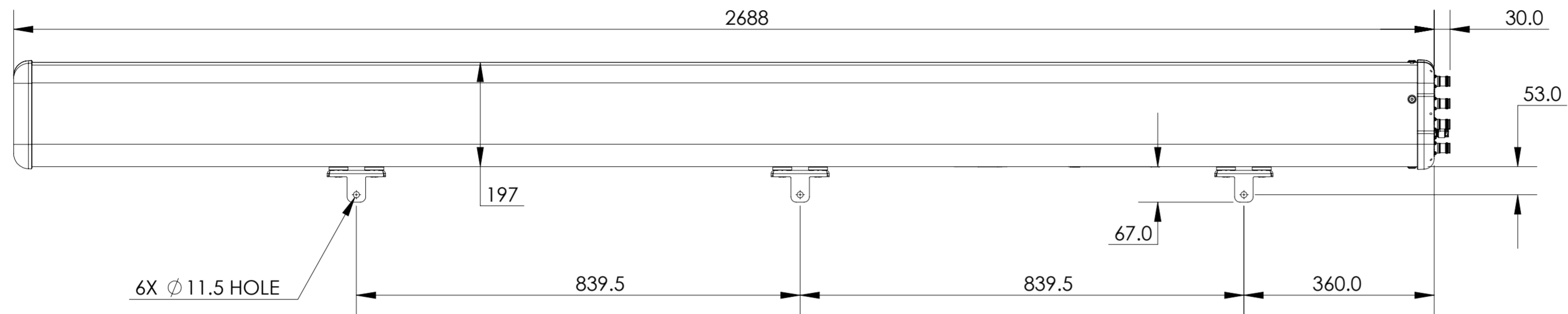


REVISIONS			
REV.	DESCRIPTION	DATE	APPROVED
A	ECR 12597PC: REL TO PRODUCTION PER EAO 609777.	16JUL21 KG	THD/WWJ



FFV4Q4-65D-R7

**COMMScope, INC. OF NORTH CAROLINA**

TOLERANCES		SAP MATERIAL MASTER	
0 PLACE X ±	2 PLACE .XX ±		
1 PLACE .X ±	ANGLES ±		
FINISH		MATERIAL	
<small>UNLESS OTHERWISE SPECIFIED DIMENSIONS ARE IN MILLIMETERS INTERPRET PER ISO STANDARDS HANDBOOK TECHNICAL DRAWINGS VOLUMES 1 &amp; 2, THIRD EDITION (2002)</small>		NAME	DATE
		CE KG1029	07/16/2021
		RW KG1029	09/23/2021
		AD HDTANG	09/23/2021
		RE QS1002	09/23/2021
ECN 12597PC		SCALE	DOCUMENT NO.
		1:8	FFV4Q4-65D-R7-L
SIZE	Auth Group	BSA	MODEL
A2			VERSION STATUS REVISION
			00 RE A
HEIGHT		DRAWING	
LENGTH		VERSION STATUS REVISION	
WIDTH		00 RE A	
			SHEET
			1 OF 1