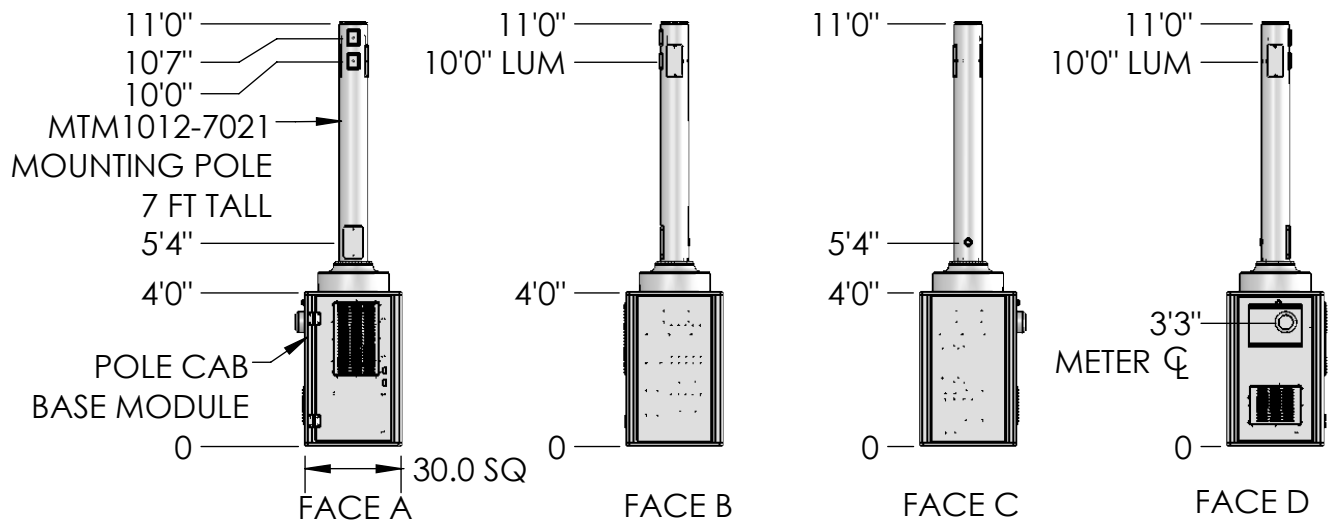


REVISIONS			
REV.	DESCRIPTION	BY	DATE
A	INITIAL RELEASE	MJP	10/22/2021



These drawings and specifications are the proprietary property of CommScope Inc. and may be used only for the specific purpose authorized in writing by CommScope Inc.

DRAWN BY: MJP	SHEET: 1 of 1	PART NUMBER: 760240957xx11xx
CHECKED BY:	SCALE:	DESCRIPTION: METRO CELL, 30IN POLE CAB SOLUTION
DATE:	MATERIAL:	DRAWING TYPE:
REVISION: A	FINISH:	
	WEIGHT:	

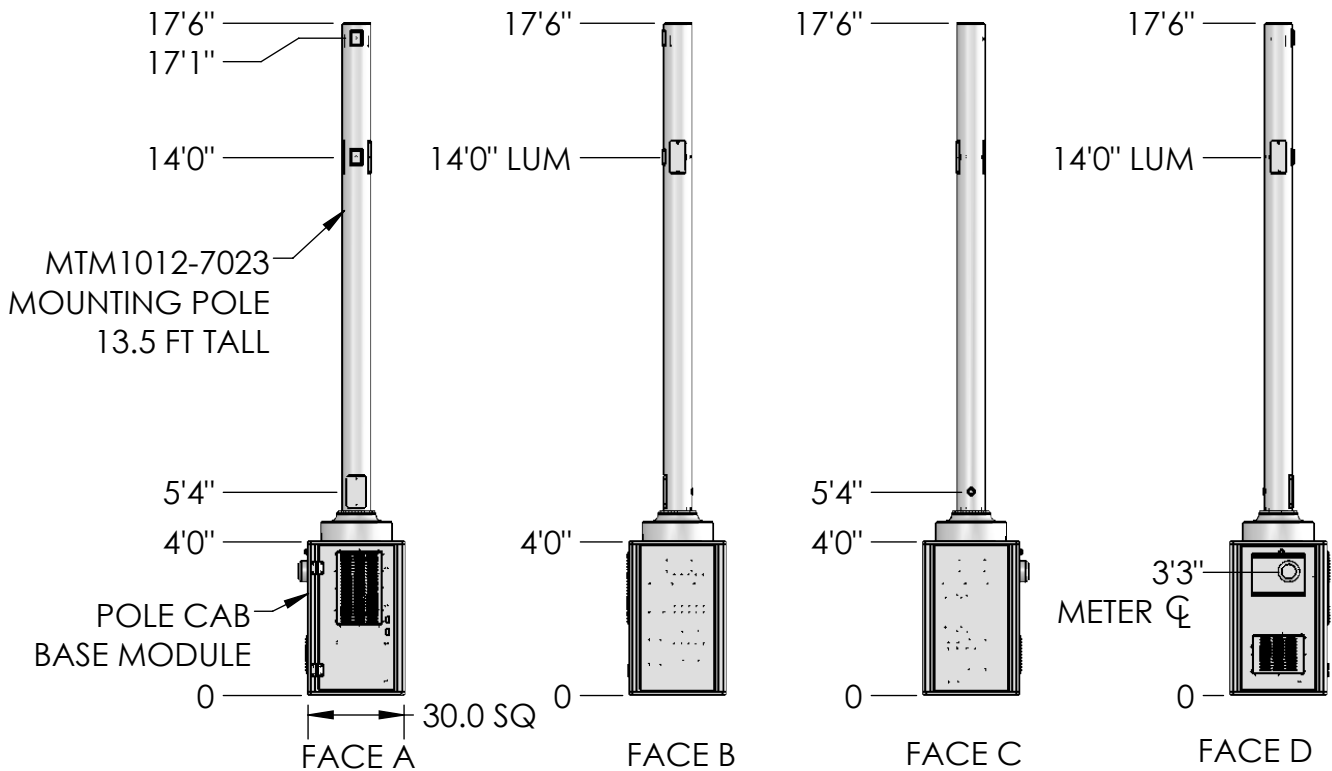
ALL DIMENSIONS ARE IN INCHES U.O.S.
TOLERANCES UNLESS OTHERWISE SPECIFIED:

.X = ±	.12	ANGLES	±2°
.XX = ±	.06	FRACTIONS	±1/32
.XXX = ±	.031		

REMOVE BURRS AND BREAK EDGES .005

DO NOT SCALE THIS PRINT

REVISIONS			
REV.	DESCRIPTION	BY	DATE
A	INITIAL RELEASE	MJP	10/22/2021



These drawings and specifications are the proprietary property of CommScope Inc. and may be used only for the specific purpose authorized in writing by CommScope Inc.

DRAWN BY:
MJP

SHEET:
2 of 1

PART NUMBER:
760240957xx18xx

CHECKED BY:

SCALE:

DESCRIPTION:
METRO CELL, 30IN POLE CAB SOLUTION

DATE:

MATERIAL:

DRAWING TYPE:

REVISION:

FINISH:

COMMSCOPE®

A

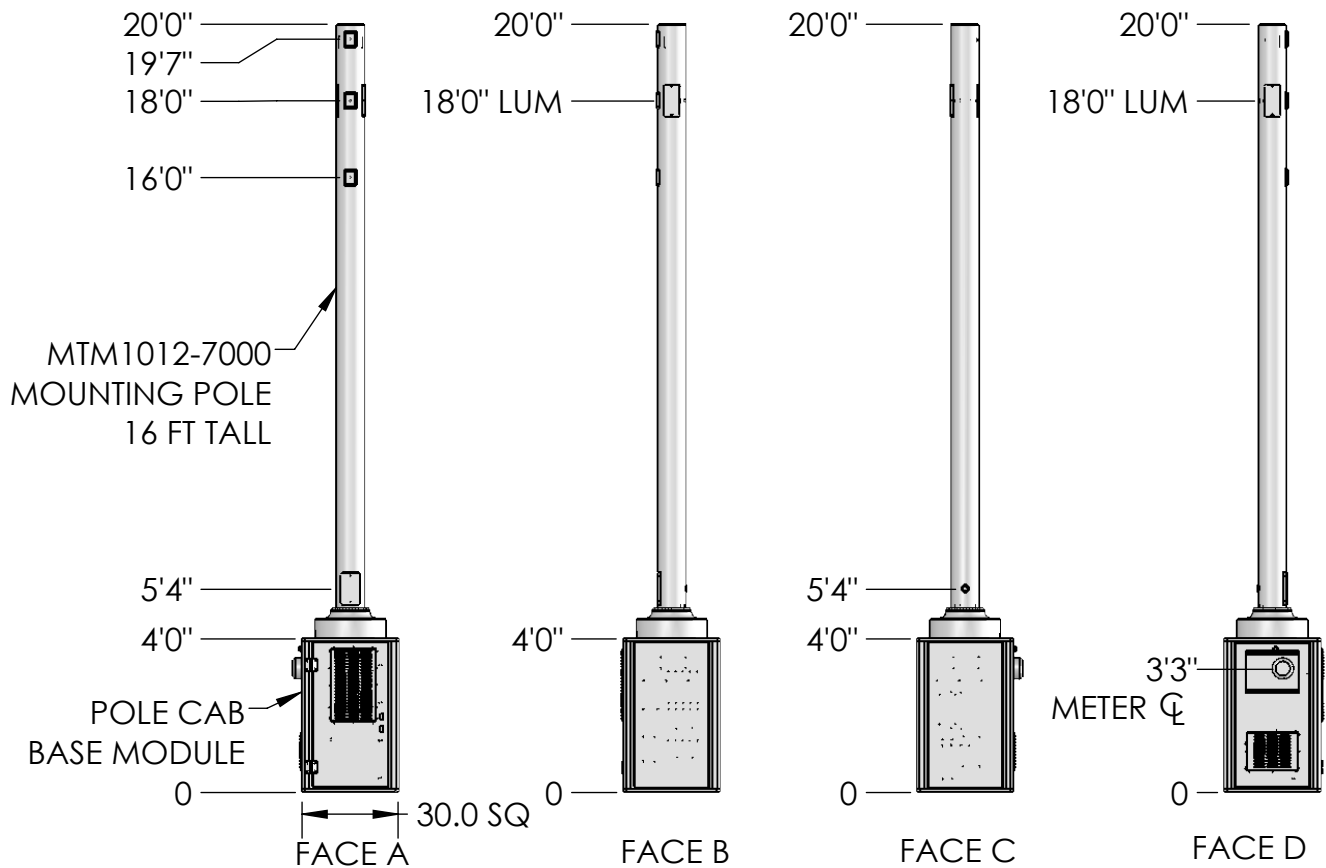
WEIGHT:

REMOVE BURRS AND BREAK EDGES .005

DO NOT SCALE THIS PRINT

ALL DIMENSIONS ARE IN INCHES U.O.S.
TOLERANCES UNLESS OTHERWISE SPECIFIED:
.X = ± .12 ANGLES ±2°
.XX = ± .06 FRACTIONS ±1/32
.XXX = ± .031

REVISIONS			
REV.	DESCRIPTION	BY	DATE
A	INITIAL RELEASE	MJP	10/22/2021



These drawings and specifications are the proprietary property of CommScope Inc. and may be used only for the specific purpose authorized in writing by CommScope Inc.

DRAWN BY:
MJP

SHEET:
3 of 1

PART NUMBER:
760240957xx20xx

CHECKED BY:

SCALE:

DESCRIPTION:
METRO CELL, 30IN POLE CAB SOLUTION

DATE:

MATERIAL:

DRAWING TYPE:

REVISION:
A

FINISH:

WEIGHT:

COMMSCOPE®

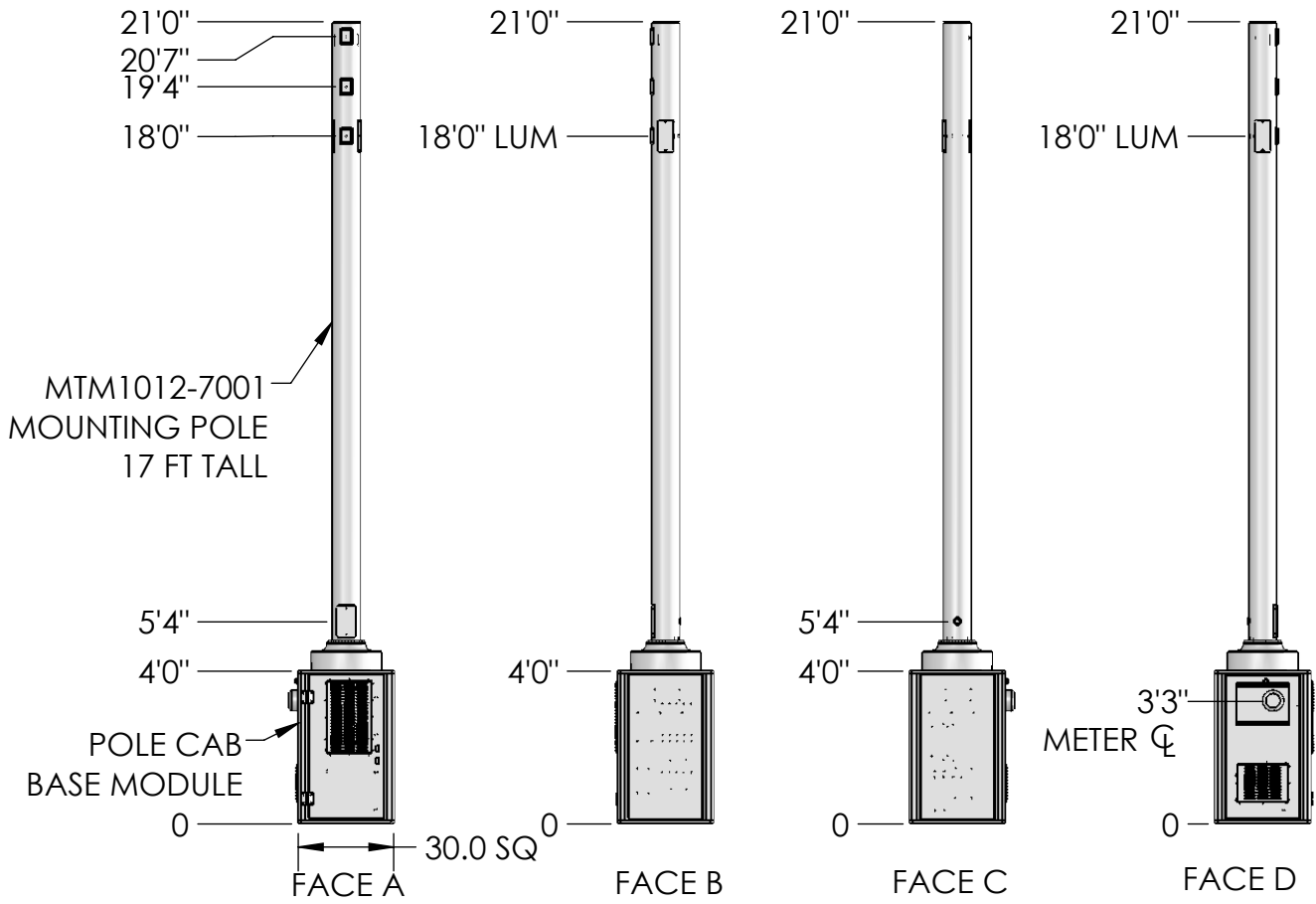
ALL DIMENSIONS ARE IN INCHES U.O.S.
TOLERANCES UNLESS OTHERWISE SPECIFIED:

.X = ± .12 ANGLES ±2°
.XX = ± .06 FRACTIONS ±1/32
.XXX = ± .031

REMOVE BURRS AND BREAK EDGES .005

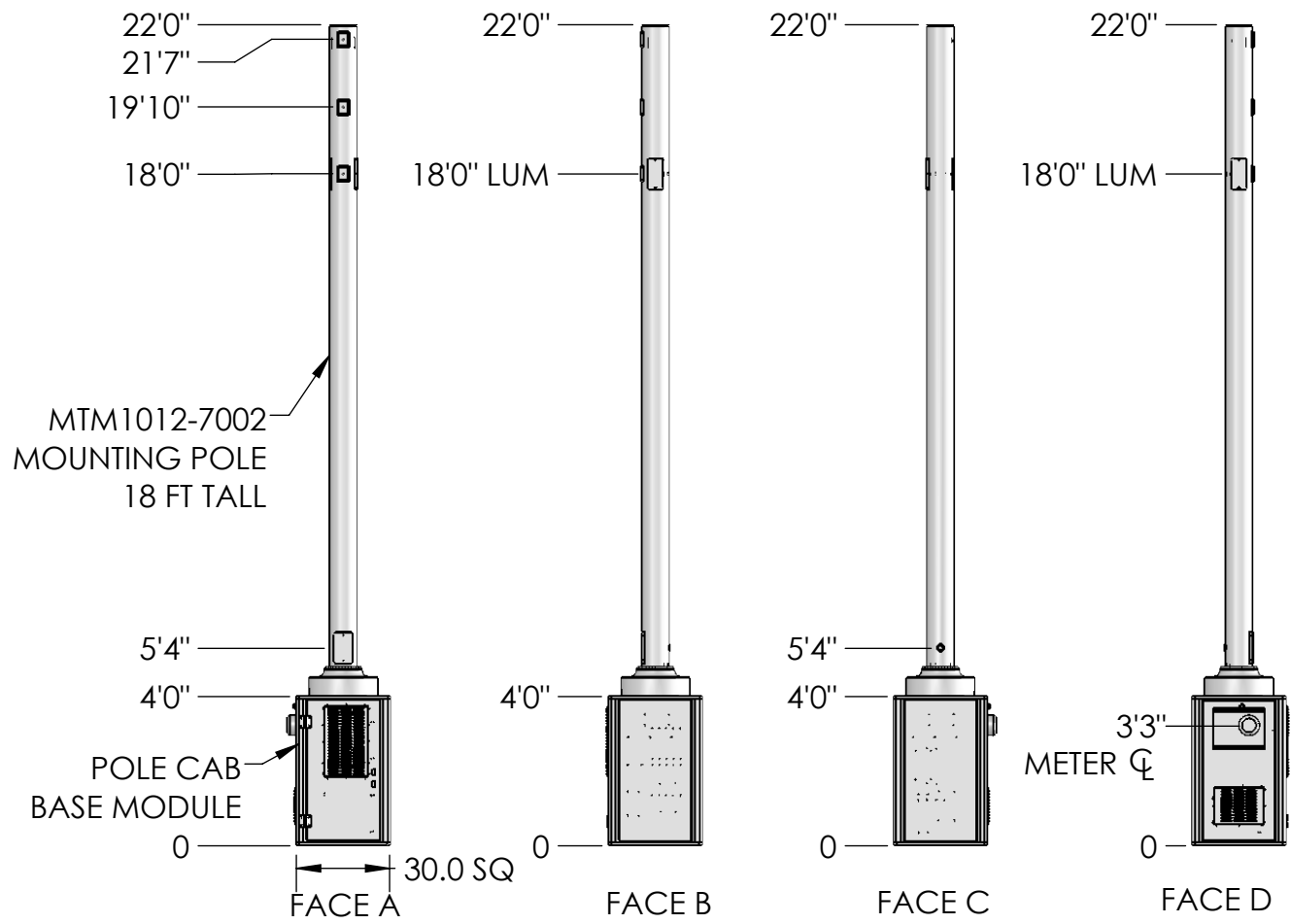
DO NOT SCALE THIS PRINT

REVISIONS			
REV.	DESCRIPTION	BY	DATE
A	INITIAL RELEASE	MJP	10/22/2021



<p>These drawings and specifications are the proprietary property of CommScope Inc. and may be used only for the specific purpose authorized in writing by CommScope Inc.</p> <p>ALL DIMENSIONS ARE IN INCHES U.O.S. TOLERANCES UNLESS OTHERWISE SPECIFIED:</p> <p>.X = ± .12 ANGLES ±2° .XX = ± .06 FRACTIONS ±1/32 .XXX = ± .031</p> <p>REMOVE BURRS AND BREAK EDGES .005</p> <p>DO NOT SCALE THIS PRINT</p>	DRAWN BY: MJP	SHEET: 4 of 1	PART NUMBER: 760240957xx21xx
	CHECKED BY:	SCALE:	DESCRIPTION: METRO CELL, 30IN POLE CAB SOLUTION
	DATE:	MATERIAL:	DRAWING TYPE:
	REVISION: A	FINISH:	WEIGHT:

REVISIONS			
REV.	DESCRIPTION	BY	DATE
A	INITIAL RELEASE	MJP	10/22/2021



These drawings and specifications are the proprietary property of CommScope Inc. and may be used only for the specific purpose authorized in writing by CommScope Inc.

ALL DIMENSIONS ARE IN INCHES U.O.S.
TOLERANCES UNLESS OTHERWISE SPECIFIED:
.X = ± .12 ANGLES ±2°
.XX = ± .06 FRACTIONS ±1/32
.XXX = ± .031

REMOVE BURRS AND BREAK EDGES .005

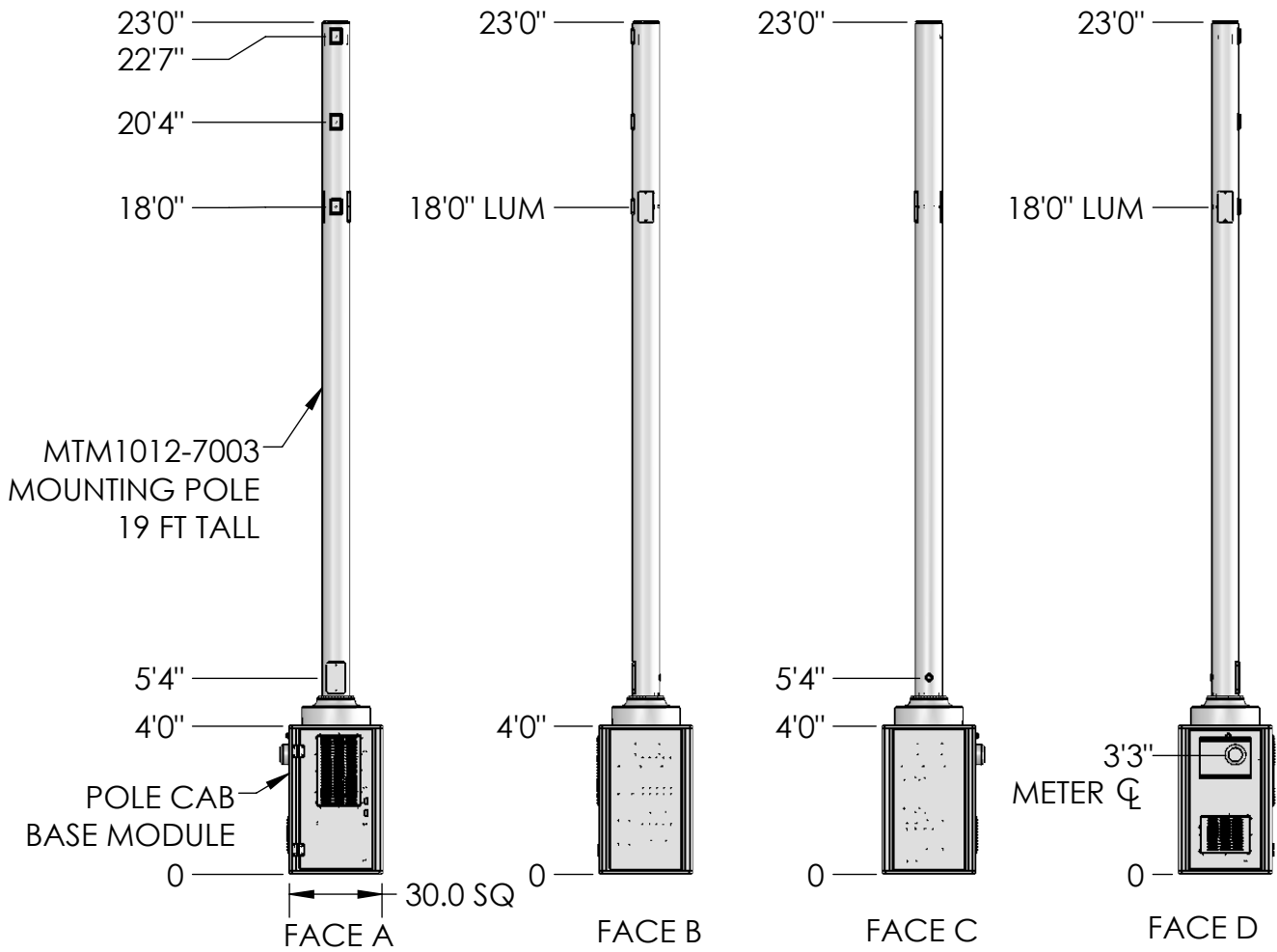
DO NOT SCALE THIS PRINT

DRAWN BY: MJP	SHEET: 5 of 1
CHECKED BY:	SCALE:
DATE:	MATERIAL:
REVISION: A	FINISH: WEIGHT:

PART NUMBER: 760240957xx22xx
DESCRIPTION: METRO CELL, 30IN POLE CAB SOLUTION
DRAWING TYPE:

COMMSCOPE®

REVISIONS			
REV.	DESCRIPTION	BY	DATE
A	INITIAL RELEASE	MJP	10/22/2021



These drawings and specifications are the proprietary property of CommScope Inc. and may be used only for the specific purpose authorized in writing by CommScope Inc.

ALL DIMENSIONS ARE IN INCHES U.O.S.
TOLERANCES UNLESS OTHERWISE SPECIFIED:
.X = ± .12 ANGLES ±2°
.XX = ± .06 FRACTIONS ±1/32
.XXX = ± .031

REMOVE BURRS AND BREAK EDGES .005

DO NOT SCALE THIS PRINT

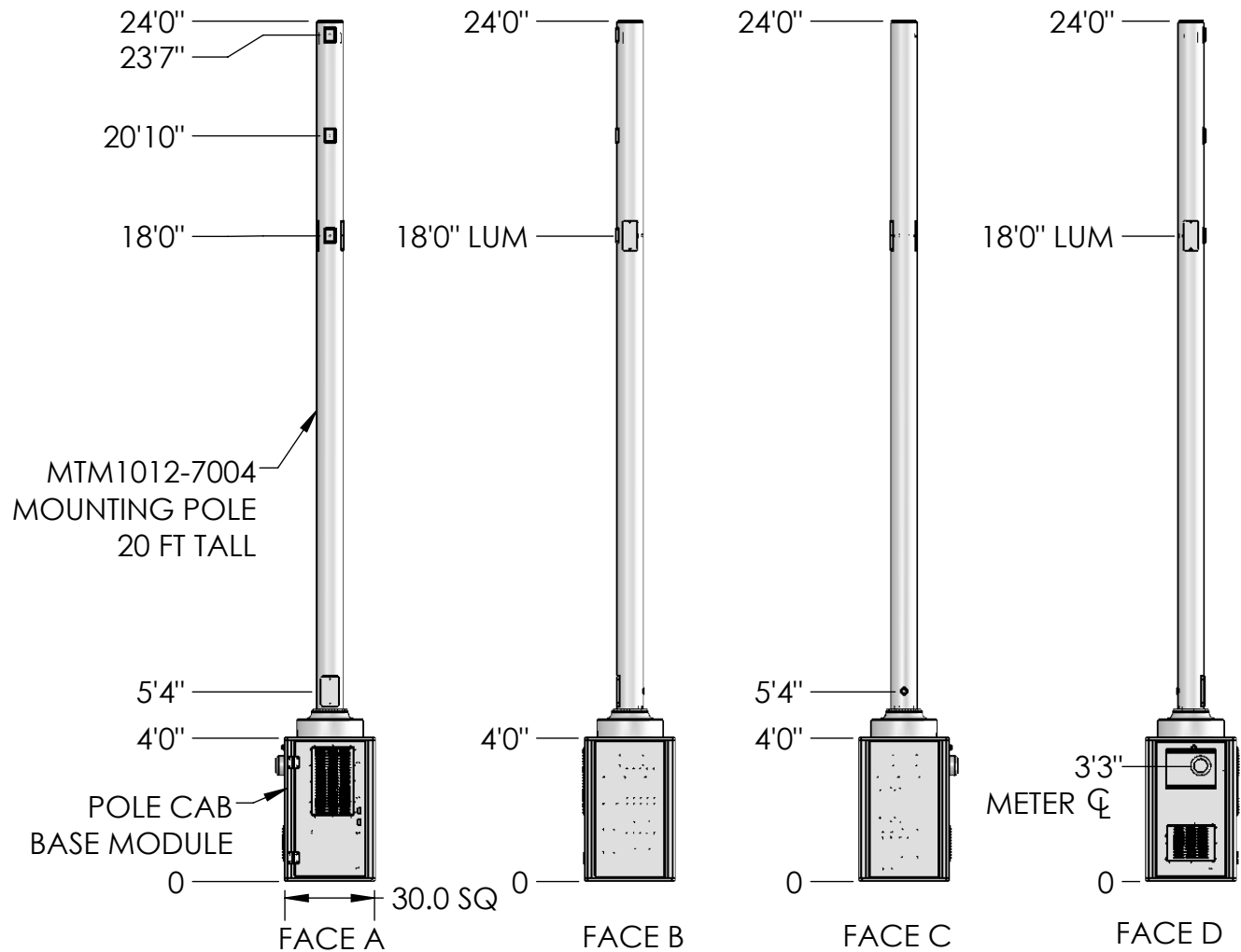
DRAWN BY: MJP	SHEET: 6 of 1
CHECKED BY:	SCALE:
DATE:	MATERIAL:
REVISION: A	FINISH: WEIGHT:

PART NUMBER:
760240957xx23xx

DESCRIPTION:
METRO CELL, 30IN POLE CAB SOLUTION



REVISIONS			
REV.	DESCRIPTION	BY	DATE
A	INITIAL RELEASE	MJP	10/22/2021



These drawings and specifications are the proprietary property of CommScope Inc. and may be used only for the specific purpose authorized in writing by CommScope Inc.

DRAWN BY:
MJP

SHEET:
7 of 1

PART NUMBER:
760240957xx24xx

CHECKED BY:

SCALE:

DESCRIPTION:
METRO CELL, 30IN POLE CAB SOLUTION

DATE:

MATERIAL:

DRAWING TYPE:

REVISION:
A

FINISH:

WEIGHT:

COMMSCOPE®

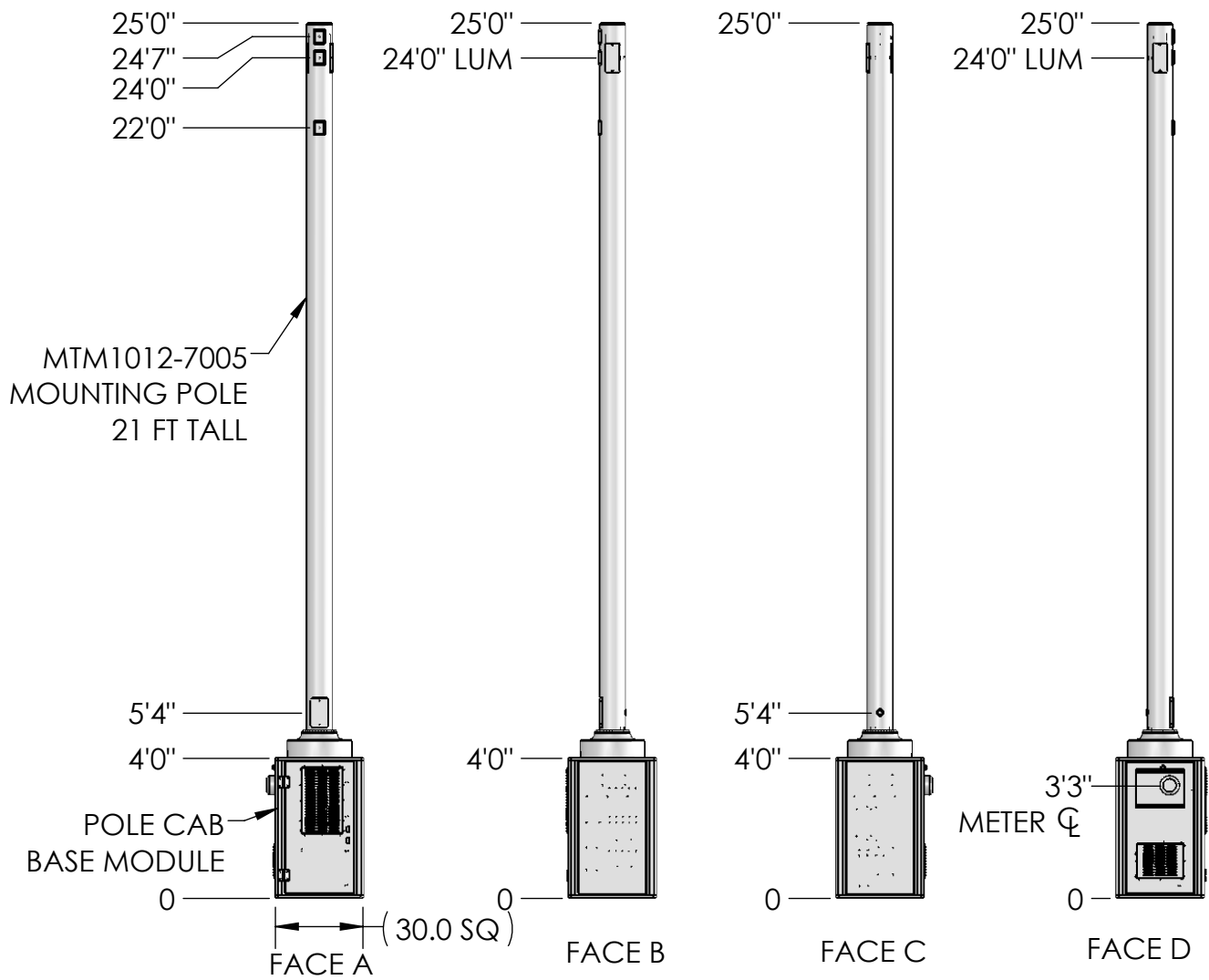
ALL DIMENSIONS ARE IN INCHES U.O.S.
TOLERANCES UNLESS OTHERWISE SPECIFIED:

.X = ± .12 ANGLES ±2°
.XX = ± .06 FRACTIONS ±1/32
.XXX = ± .031

REMOVE BURRS AND BREAK EDGES .005

DO NOT SCALE THIS PRINT

REVISIONS			
REV.	DESCRIPTION	BY	DATE
A	INITIAL RELEASE	MJP	10/22/2021



These drawings and specifications are the proprietary property of CommScope Inc. and may be used only for the specific purpose authorized in writing by CommScope Inc.

DRAWN BY:
MJP

SHEET:
8 of 1

PART NUMBER:
760240957xx25xx

CHECKED BY:

SCALE:

DESCRIPTION:
METRO CELL, 30IN POLE CAB SOLUTION

DATE:

MATERIAL:

DRAWING TYPE:

REVISION:

FINISH:

COMMSCOPE®

A

WEIGHT:

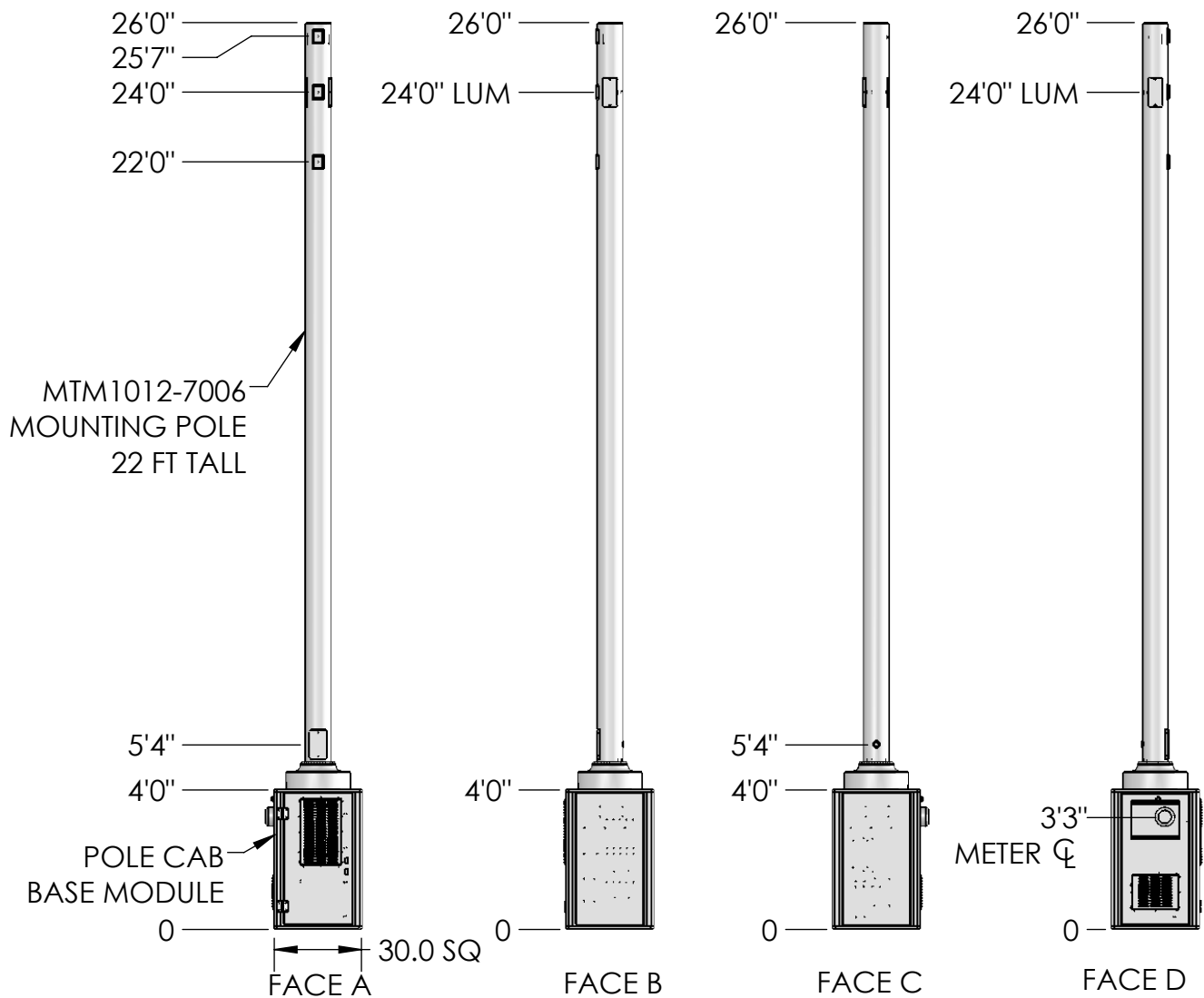
ALL DIMENSIONS ARE IN INCHES U.O.S.
TOLERANCES UNLESS OTHERWISE SPECIFIED:

.X = ±	.12	ANGLES	±2°
.XX = ±	.06	FRACTIONS	±1/32
.XXX = ±	.031		

REMOVE BURRS AND BREAK EDGES .005

DO NOT SCALE THIS PRINT

REVISIONS			
REV.	DESCRIPTION	BY	DATE
A	INITIAL RELEASE	MJP	10/22/2021



These drawings and specifications are the proprietary property of CommScope Inc. and may be used only for the specific purpose authorized in writing by CommScope Inc.

ALL DIMENSIONS ARE IN INCHES U.O.S.
TOLERANCES UNLESS OTHERWISE SPECIFIED:

.X = ± .12 ANGLES ±2°
.XX = ± .06 FRACTIONS ±1/32
.XXX = ± .031

REMOVE BURRS AND BREAK EDGES .005

DO NOT SCALE THIS PRINT

DRAWN BY:
MJP

CHECKED BY:

DATE:

REVISION:
A

SHEET:

9 of 1

SCALE:

MATERIAL:

FINISH:

WEIGHT:

PART NUMBER:

760240957xx26xx

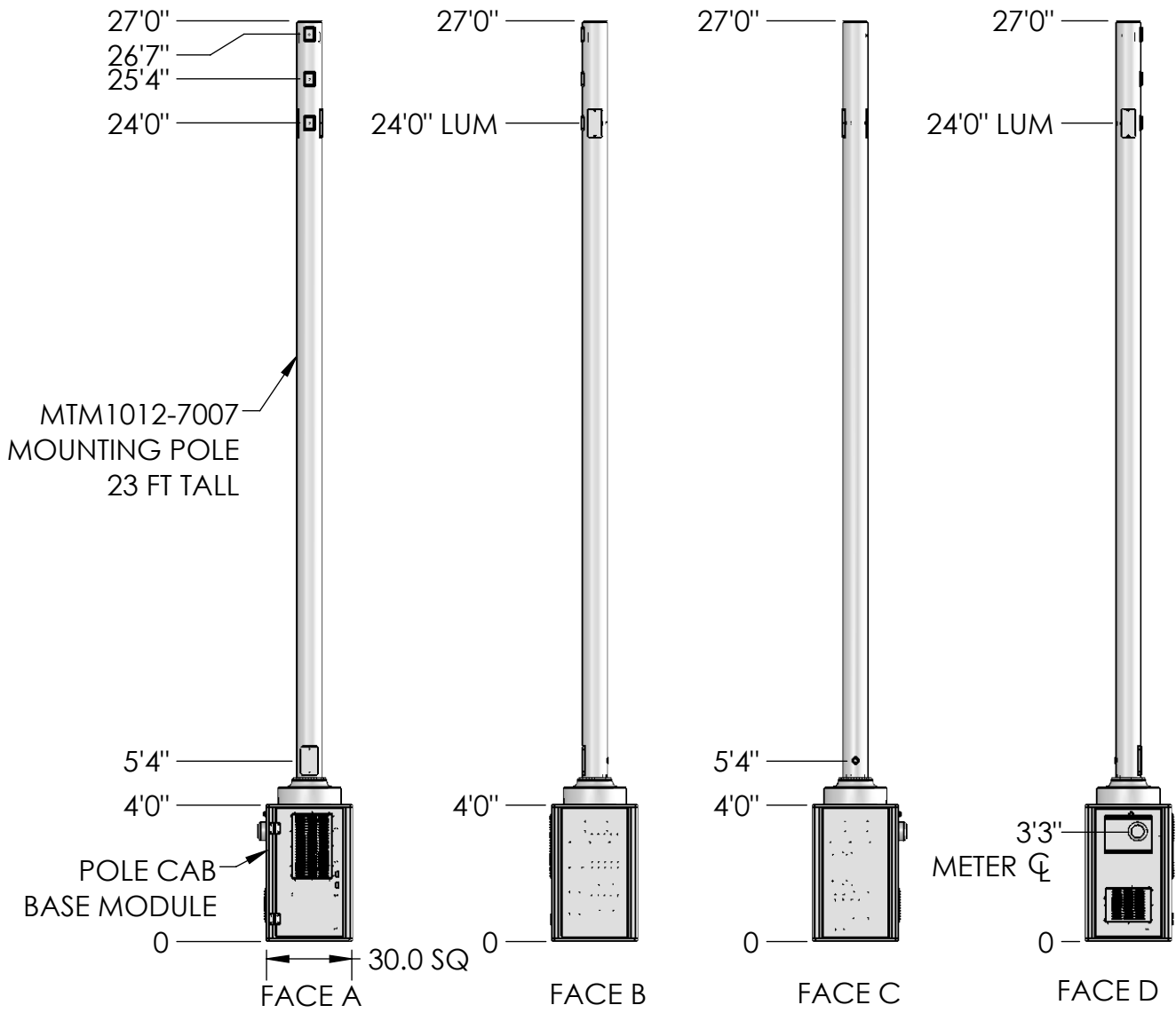
DESCRIPTION:

METRO CELL, 30IN POLE CAB SOLUTION

DRAWING TYPE:

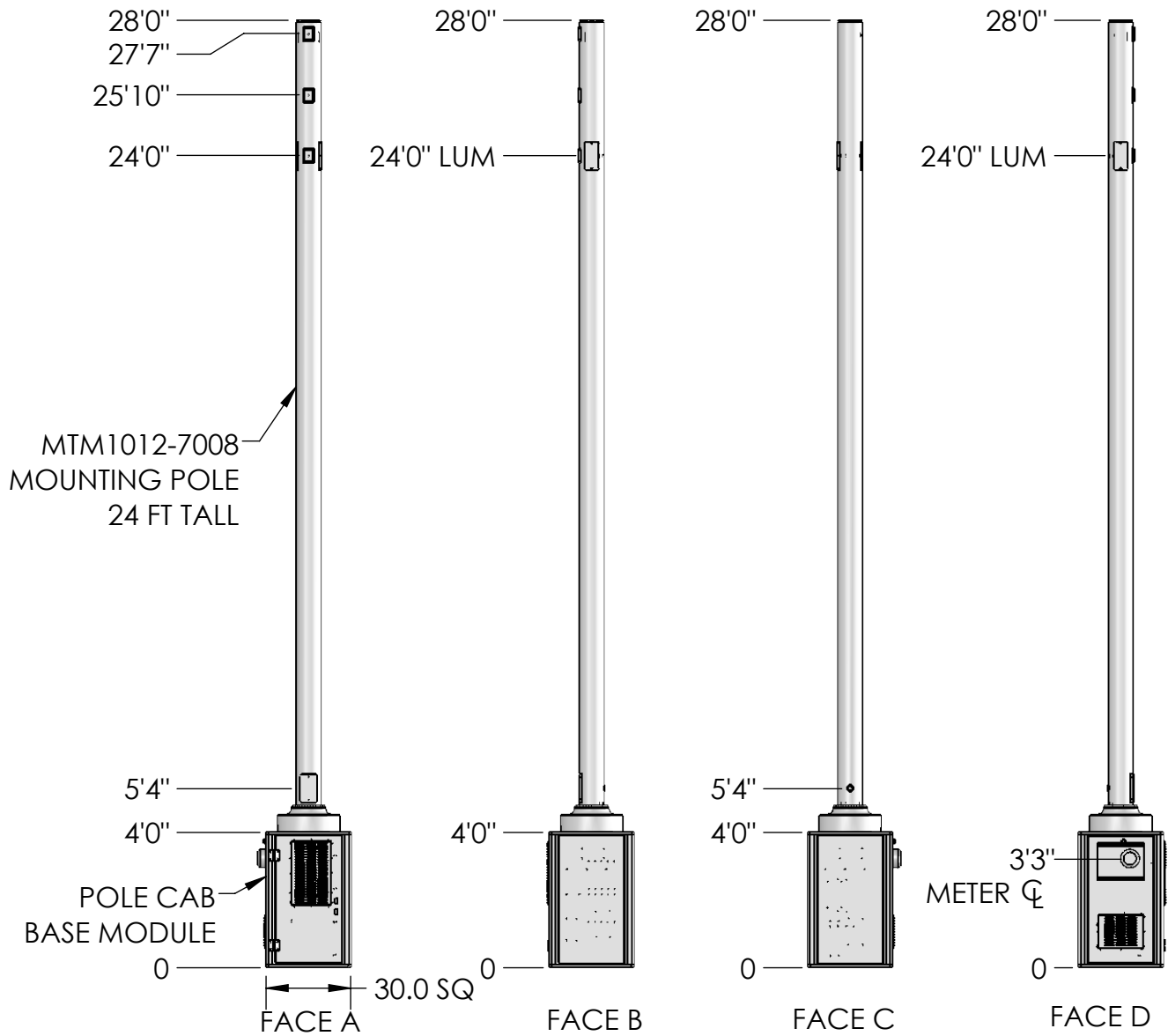
COMMSCOPE®

REVISIONS			
REV.	DESCRIPTION	BY	DATE
A	INITIAL RELEASE	MJP	10/22/2021



<p>These drawings and specifications are the proprietary property of CommScope Inc. and may be used only for the specific purpose authorized in writing by CommScope Inc.</p> <p>ALL DIMENSIONS ARE IN INCHES U.O.S. TOLERANCES UNLESS OTHERWISE SPECIFIED:</p> <p>.X = ± .12 ANGLES ±2° .XX = ± .06 FRACTIONS ±1/32 .XXX = ± .031</p> <p>REMOVE BURRS AND BREAK EDGES .005</p> <p>DO NOT SCALE THIS PRINT</p>	DRAWN BY: MJP	SHEET: 10 of 1	PART NUMBER: 760240957xx27xx
	CHECKED BY:	SCALE:	DESCRIPTION: METRO CELL, 30IN POLE CAB SOLUTION
	DATE:	MATERIAL:	DRAWING TYPE:
	REVISION: A	FINISH:	WEIGHT:

REVISIONS			
REV.	DESCRIPTION	BY	DATE
A	INITIAL RELEASE	MJP	10/22/2021



These drawings and specifications are the proprietary property of CommScope Inc. and may be used only for the specific purpose authorized in writing by CommScope Inc.

ALL DIMENSIONS ARE IN INCHES U.O.S.
TOLERANCES UNLESS OTHERWISE SPECIFIED:
.X = ± .12 ANGLES ±2°
.XX = ± .06 FRACTIONS ±1/32
.XXX = ± .031

REMOVE BURRS AND BREAK EDGES .005

DO NOT SCALE THIS PRINT

DRAWN BY:
MJP

CHECKED BY:

DATE:

REVISION:
A

SHEET:

11 of 1

SCALE:

MATERIAL:

FINISH:

WEIGHT:

PART NUMBER:

760240957xx28xx

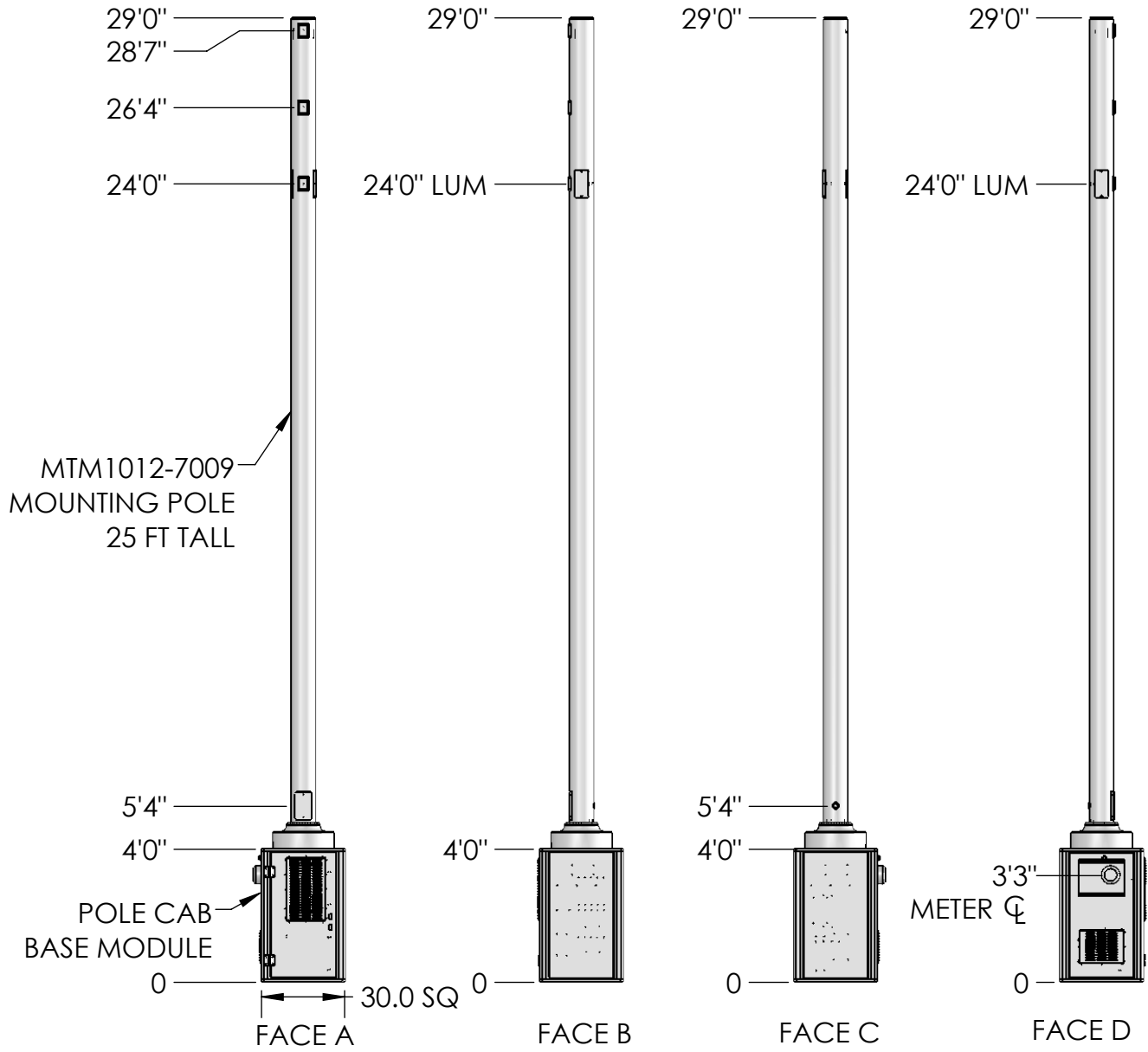
DESCRIPTION:

METRO CELL, 30IN POLE CAB SOLUTION

DRAWING TYPE:

COMMSCOPE®

REVISIONS			
REV.	DESCRIPTION	BY	DATE
A	INITIAL RELEASE	MJP	10/22/2021



These drawings and specifications are the proprietary property of CommScope Inc. and may be used only for the specific purpose authorized in writing by CommScope Inc.

DRAWN BY:
MJP

SHEET:
12 of 1

PART NUMBER:
760240957xx29xx

CHECKED BY:

SCALE:

DESCRIPTION:
METRO CELL, 30IN POLE CAB SOLUTION

DATE:

MATERIAL:

DRAWING TYPE:

REVISION:

FINISH:

A

WEIGHT:

COMMSCOPE®

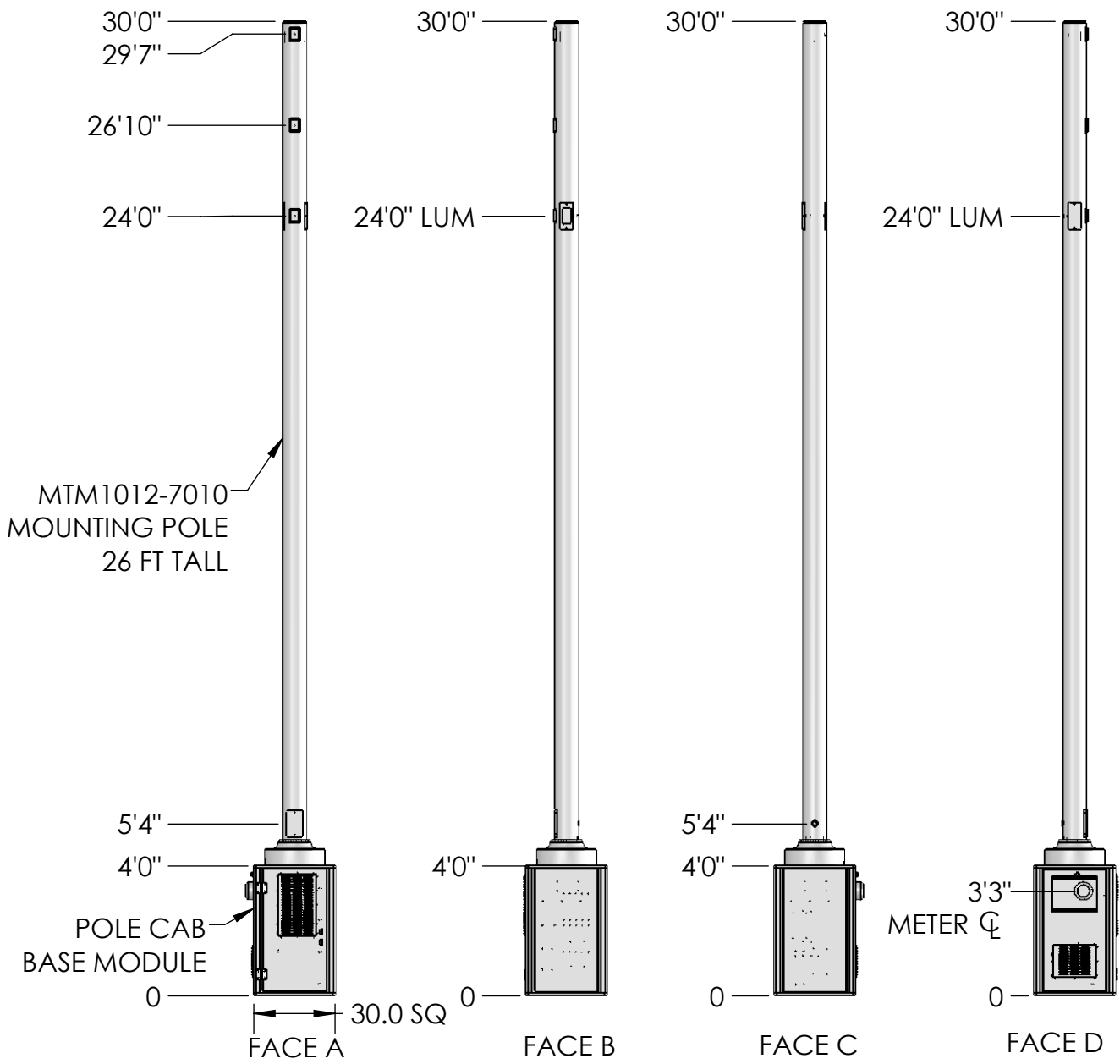
ALL DIMENSIONS ARE IN INCHES U.O.S.
TOLERANCES UNLESS OTHERWISE SPECIFIED:

.X = ±	.12	ANGLES	±2°
.XX = ±	.06	FRACTIONS	±1/32
.XXX = ±	.031		

REMOVE BURRS AND BREAK EDGES .005

DO NOT SCALE THIS PRINT

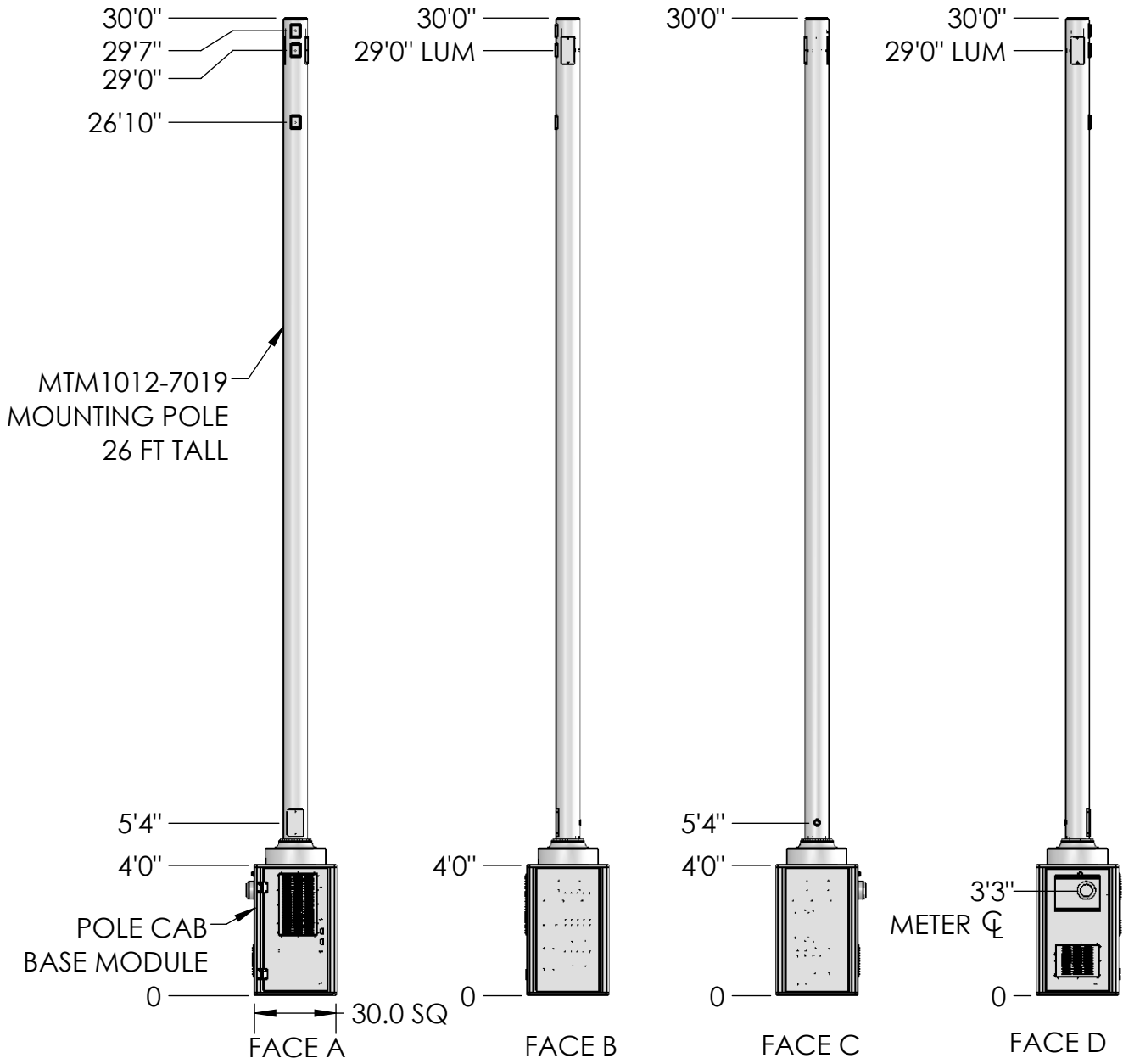
REVISIONS			
REV.	DESCRIPTION	BY	DATE
A	INITIAL RELEASE	MJP	10/22/2021



<p>These drawings and specifications are the proprietary property of CommScope Inc. and may be used only for the specific purpose authorized in writing by CommScope Inc.</p> <p>ALL DIMENSIONS ARE IN INCHES U.O.S. TOLERANCES UNLESS OTHERWISE SPECIFIED:</p> <p>.X = ± .12 ANGLES ±2° .XX = ± .06 FRACTIONS ±1/32 .XXX = ± .031</p> <p>REMOVE BURRS AND BREAK EDGES .005</p> <p>DO NOT SCALE THIS PRINT</p>	<p>DRAWN BY: MJP</p>	<p>SHEET: 13 of 1</p>	<p>PART NUMBER: 760240957xx30xx</p>
	<p>CHECKED BY:</p>	<p>SCALE:</p>	<p>DESCRIPTION: METRO CELL, 30IN POLE CAB SOLUTION</p>
	<p>DATE:</p>	<p>MATERIAL:</p>	<p>DRAWING TYPE:</p>
	<p>REVISION: A</p>	<p>FINISH:</p>	<p>WEIGHT:</p>

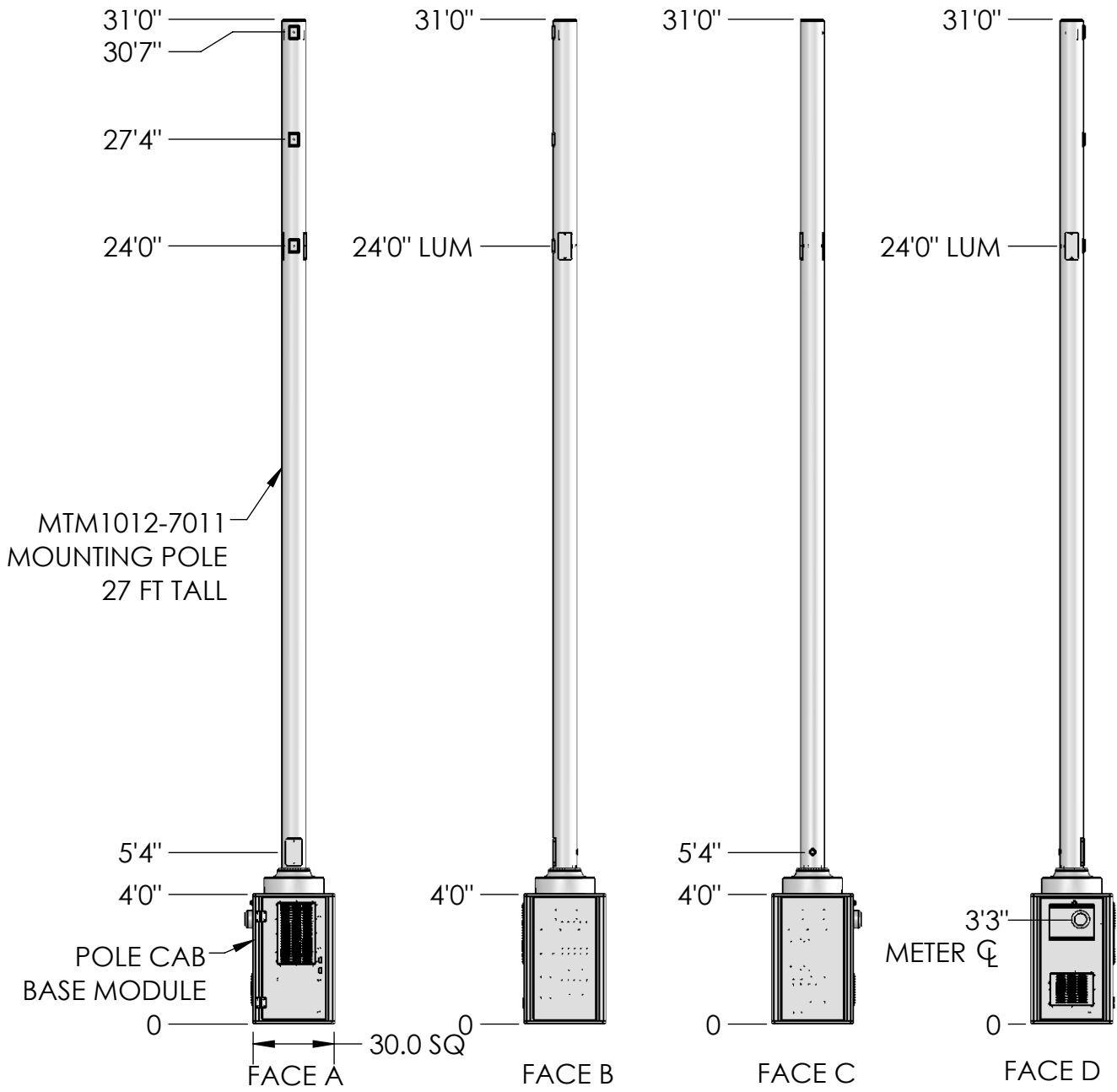


REVISIONS			
REV.	DESCRIPTION	BY	DATE
A	INITIAL RELEASE	MJP	10/22/2021



<p>These drawings and specifications are the proprietary property of CommScope Inc. and may be used only for the specific purpose authorized in writing by CommScope Inc.</p> <p>ALL DIMENSIONS ARE IN INCHES U.O.S. TOLERANCES UNLESS OTHERWISE SPECIFIED:</p> <p>.X = ± .12 ANGLES ±2° .XX = ± .06 FRACTIONS ±1/32 .XXX = ± .031</p> <p>REMOVE BURRS AND BREAK EDGES .005</p> <p>DO NOT SCALE THIS PRINT</p>	<p>DRAWN BY: MJP</p>	<p>SHEET: 14 of 1</p>	<p>PART NUMBER: 760240957xx30xx-2</p>
	<p>CHECKED BY:</p>	<p>SCALE:</p>	<p>DESCRIPTION: METRO CELL, 30IN POLE CAB SOLUTION</p>
	<p>DATE:</p>	<p>MATERIAL:</p>	<p>DRAWING TYPE:</p>
	<p>REVISION: A</p>	<p>FINISH:</p>	<p>WEIGHT:</p>

REVISIONS			
REV.	DESCRIPTION	BY	DATE
A	INITIAL RELEASE	MJP	10/22/2021



These drawings and specifications are the proprietary property of CommScope Inc. and may be used only for the specific purpose authorized in writing by CommScope Inc.

ALL DIMENSIONS ARE IN INCHES U.O.S.
TOLERANCES UNLESS OTHERWISE SPECIFIED:

.X = ±	.12	ANGLES	±2°
.XX = ±	.06	FRACTIONS	±1/32
.XXX = ±	.031		

REMOVE BURRS AND BREAK EDGES .005

DO NOT SCALE THIS PRINT

DRAWN BY: MJP	SHEET: 15 of 1
CHECKED BY:	SCALE:
DATE:	MATERIAL:
REVISION: A	FINISH: WEIGHT:

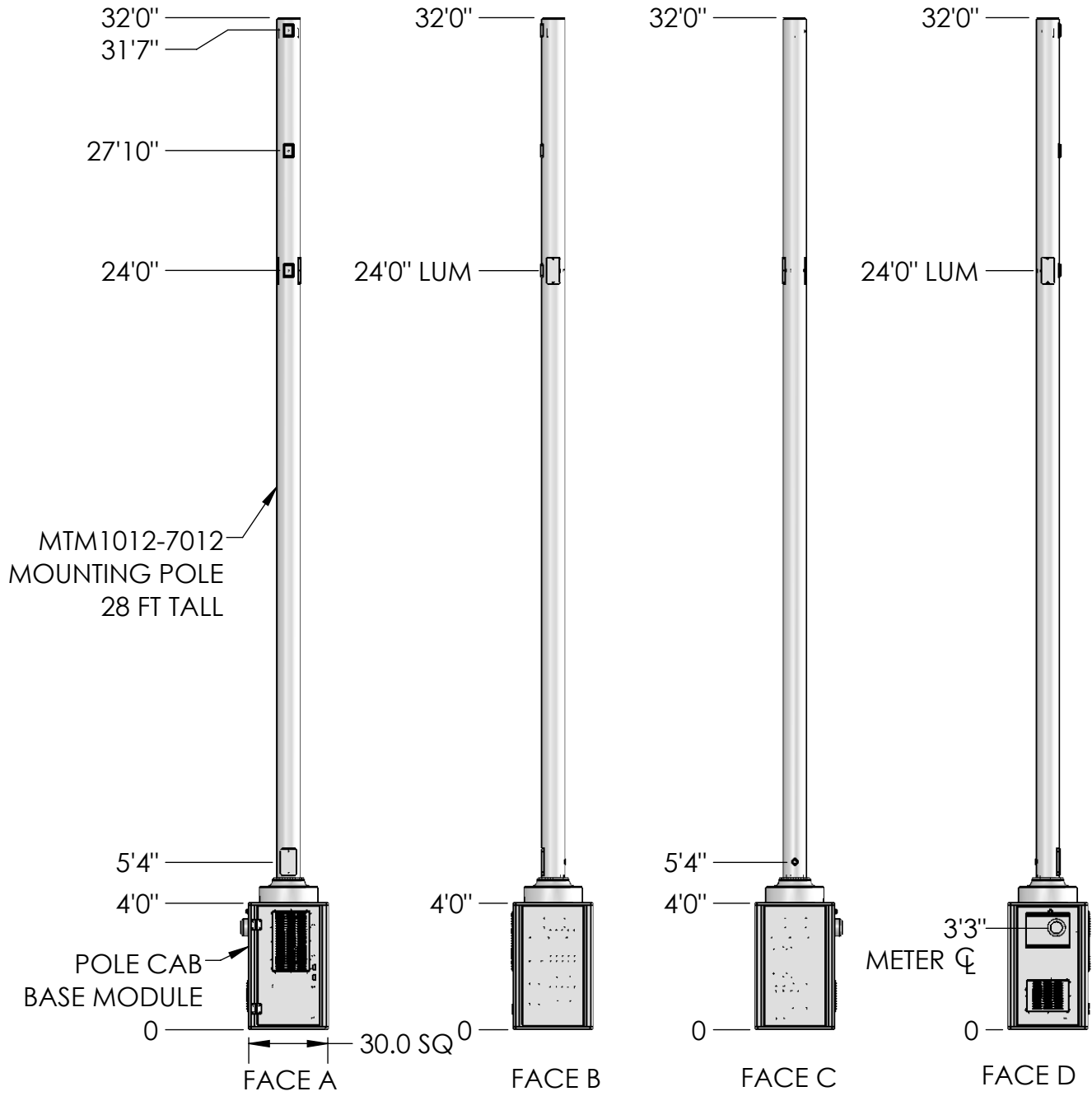
PART NUMBER:
760240957xx31xx

DESCRIPTION:
METRO CELL, 30IN POLE CAB SOLUTION

DRAWING TYPE:

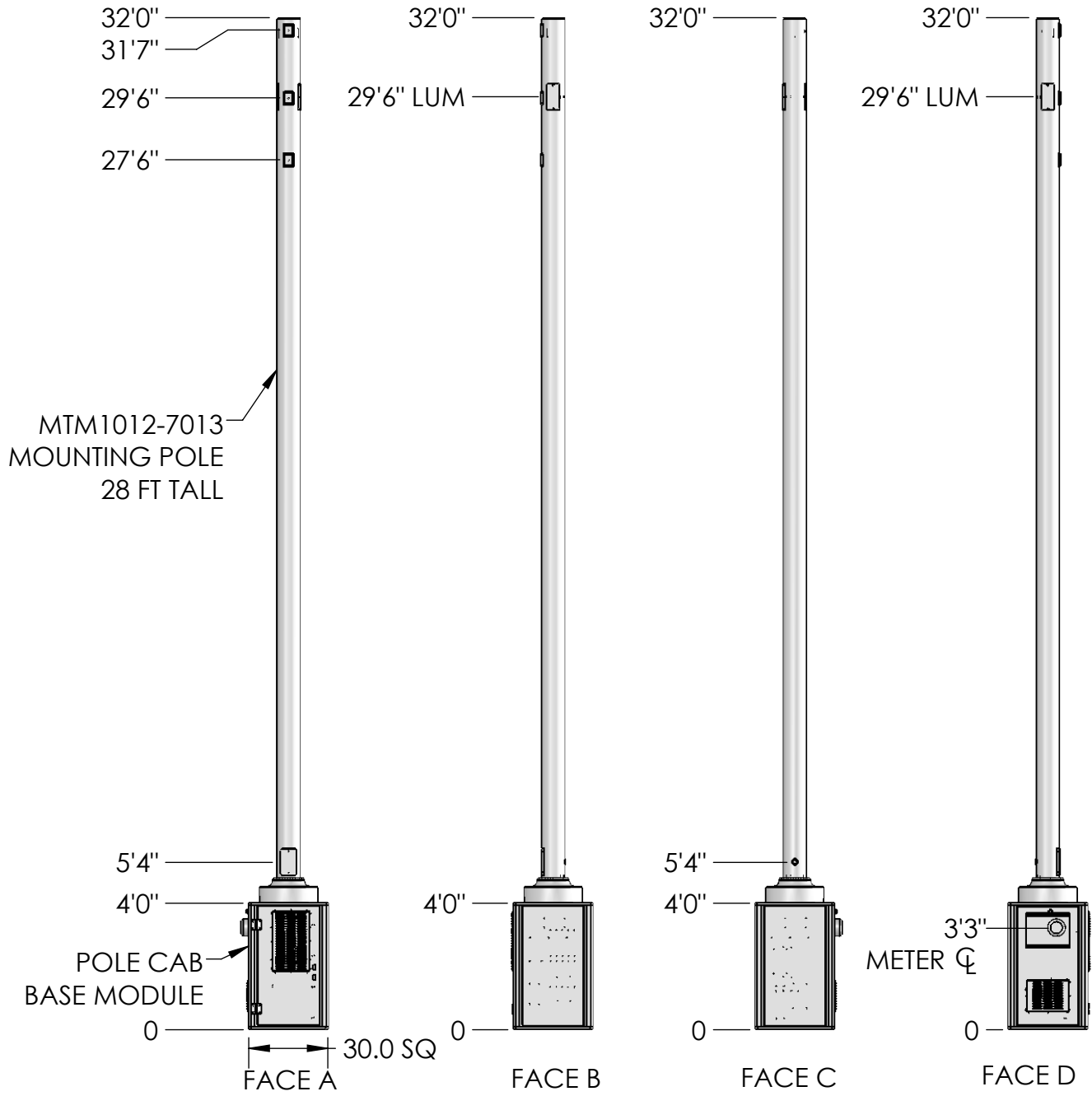
COMMSCOPE®

REVISIONS			
REV.	DESCRIPTION	BY	DATE
A	INITIAL RELEASE	MJP	10/22/2021



<p>These drawings and specifications are the proprietary property of CommScope Inc. and may be used only for the specific purpose authorized in writing by CommScope Inc.</p> <p>ALL DIMENSIONS ARE IN INCHES U.O.S. TOLERANCES UNLESS OTHERWISE SPECIFIED:</p> <p>.X = ± .12 ANGLES ±2° .XX = ± .06 FRACTIONS ±1/32 .XXX = ± .031</p> <p>REMOVE BURRS AND BREAK EDGES .005</p> <p>DO NOT SCALE THIS PRINT</p>	DRAWN BY: MJP	SHEET: 16 of 1	PART NUMBER: 760240957xx32xx
	CHECKED BY:	SCALE:	DESCRIPTION: METRO CELL, 30IN POLE CAB SOLUTION
	DATE:	MATERIAL:	DRAWING TYPE:
	REVISION: A	FINISH:	
	WEIGHT:		

REVISIONS			
REV.	DESCRIPTION	BY	DATE
A	INITIAL RELEASE	MJP	10/22/2021



These drawings and specifications are the proprietary property of CommScope Inc. and may be used only for the specific purpose authorized in writing by CommScope Inc.

DRAWN BY:
MJP

SHEET:
17 of 1

PART NUMBER:
760240957xx32xx-2

CHECKED BY:

SCALE:

DESCRIPTION:
METRO CELL, 30IN POLE CAB SOLUTION

DATE:

MATERIAL:

DRAWING TYPE:

REVISION:
A

FINISH:

WEIGHT:

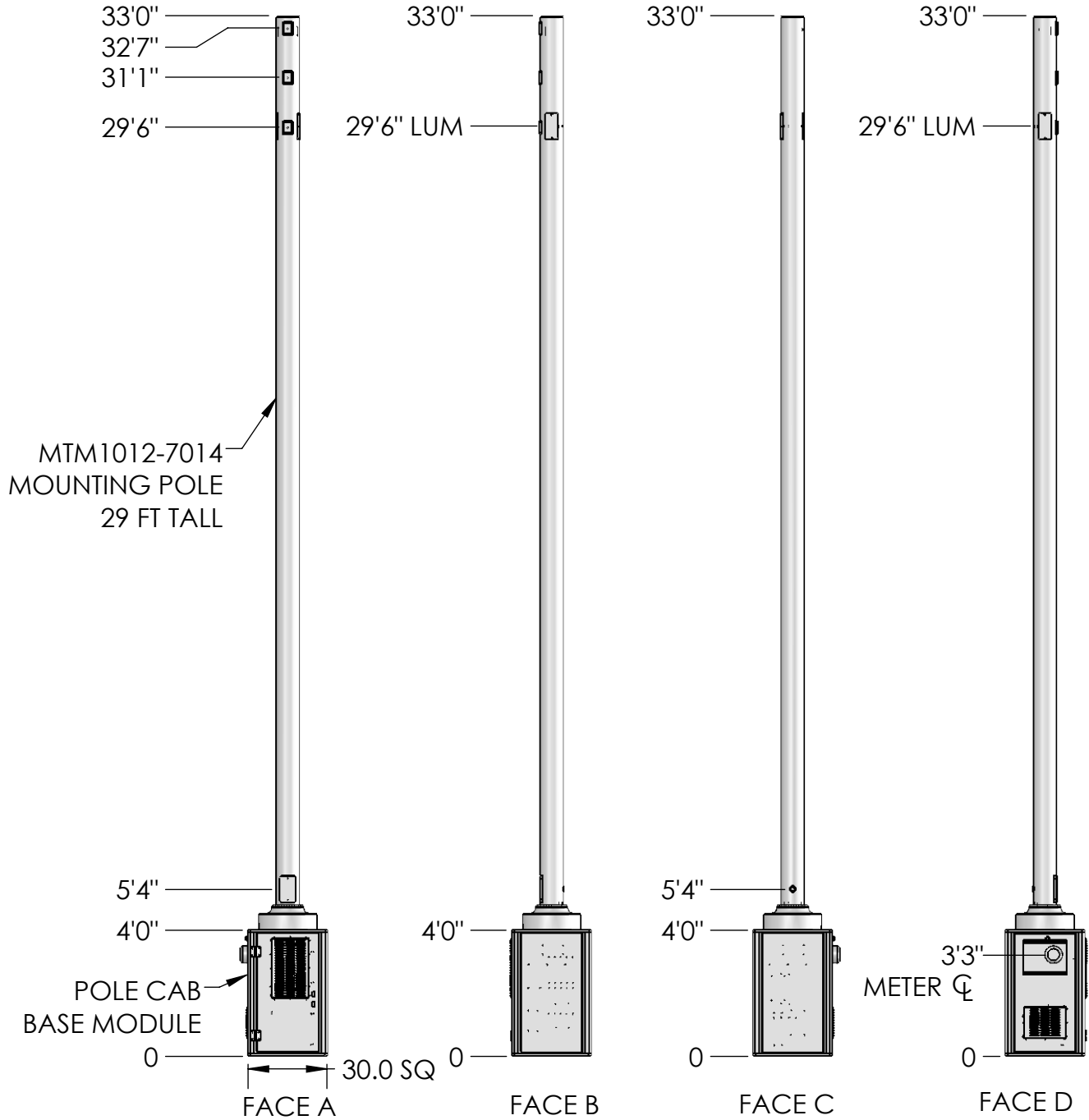
COMMSCOPE®

ALL DIMENSIONS ARE IN INCHES U.O.S.
TOLERANCES UNLESS OTHERWISE SPECIFIED:
.X = ± .12 ANGLES ±2°
.XX = ± .06 FRACTIONS ±1/32
.XXX = ± .031

REMOVE BURRS AND BREAK EDGES .005

DO NOT SCALE THIS PRINT

REVISIONS			
REV.	DESCRIPTION	BY	DATE
A	INITIAL RELEASE	MJP	10/22/2021



These drawings and specifications are the proprietary property of CommScope Inc. and may be used only for the specific purpose authorized in writing by CommScope Inc.

DRAWN BY:
MJP

SHEET:
18 of 1

PART NUMBER:
760240957xx33xx

CHECKED BY:

SCALE:

DESCRIPTION:
METRO CELL, 40IN POLE CAB SOLUTION

DATE:

MATERIAL:

DRAWING TYPE:

REVISION:
A

FINISH:

WEIGHT:

COMMSCOPE®

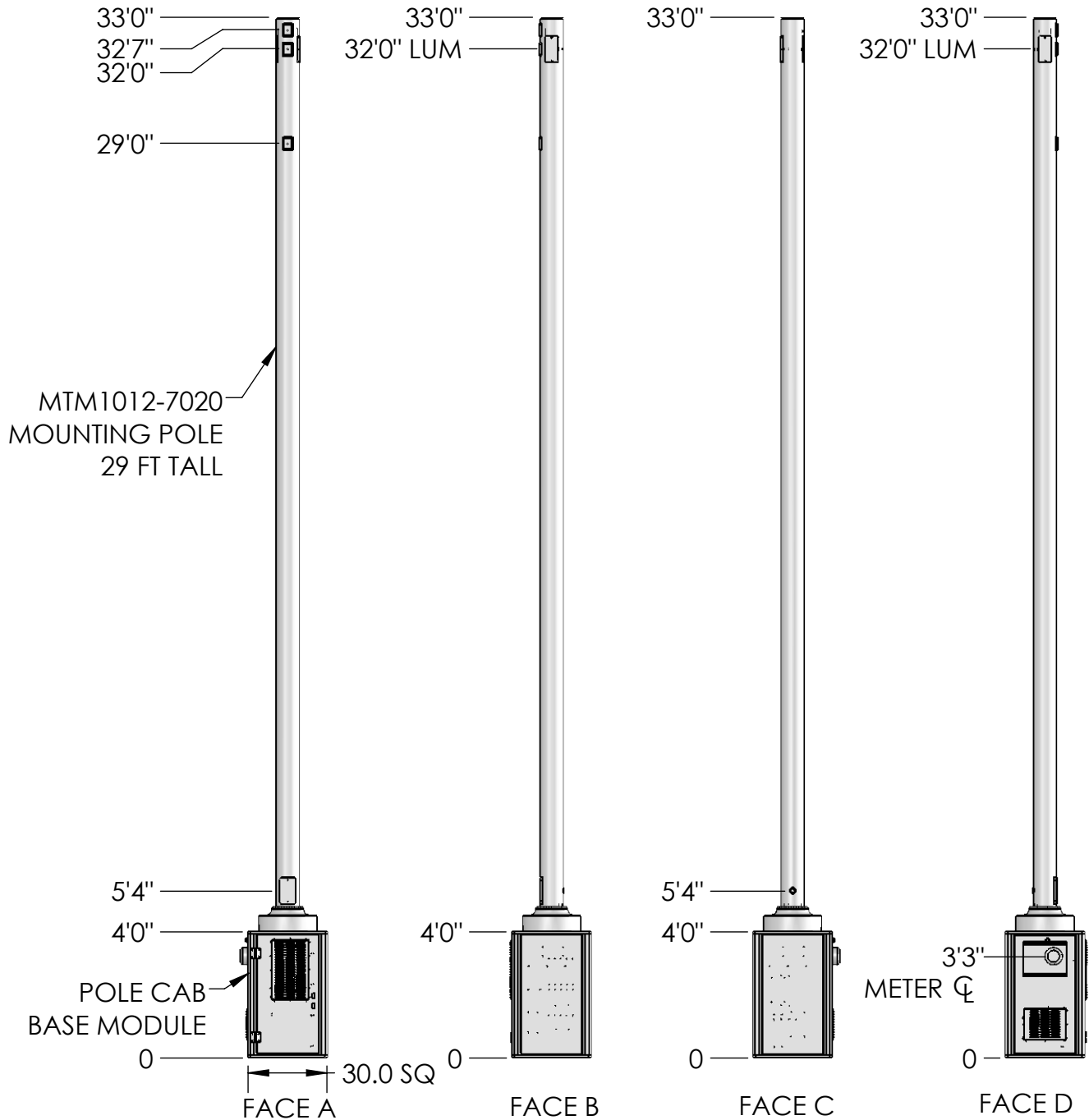
ALL DIMENSIONS ARE IN INCHES U.O.S.
TOLERANCES UNLESS OTHERWISE SPECIFIED:

.X = ±	.12	ANGLES	±2°
.XX = ±	.06	FRACTIONS	±1/32
.XXX = ±	.031		

REMOVE BURRS AND BREAK EDGES .005

DO NOT SCALE THIS PRINT

REVISIONS			
REV.	DESCRIPTION	BY	DATE
A	INITIAL RELEASE	MJP	10/22/2021



These drawings and specifications are the proprietary property of CommScope Inc. and may be used only for the specific purpose authorized in writing by CommScope Inc.

DRAWN BY:
MJP

SHEET:
19 of 1

PART NUMBER:
760240957xx37xx

CHECKED BY:

SCALE:

DESCRIPTION:
METRO CELL, 30IN POLE CAB SOLUTION

DATE:

MATERIAL:

DRAWING TYPE:

REVISION:
A

FINISH:

WEIGHT:

COMMSCOPE®

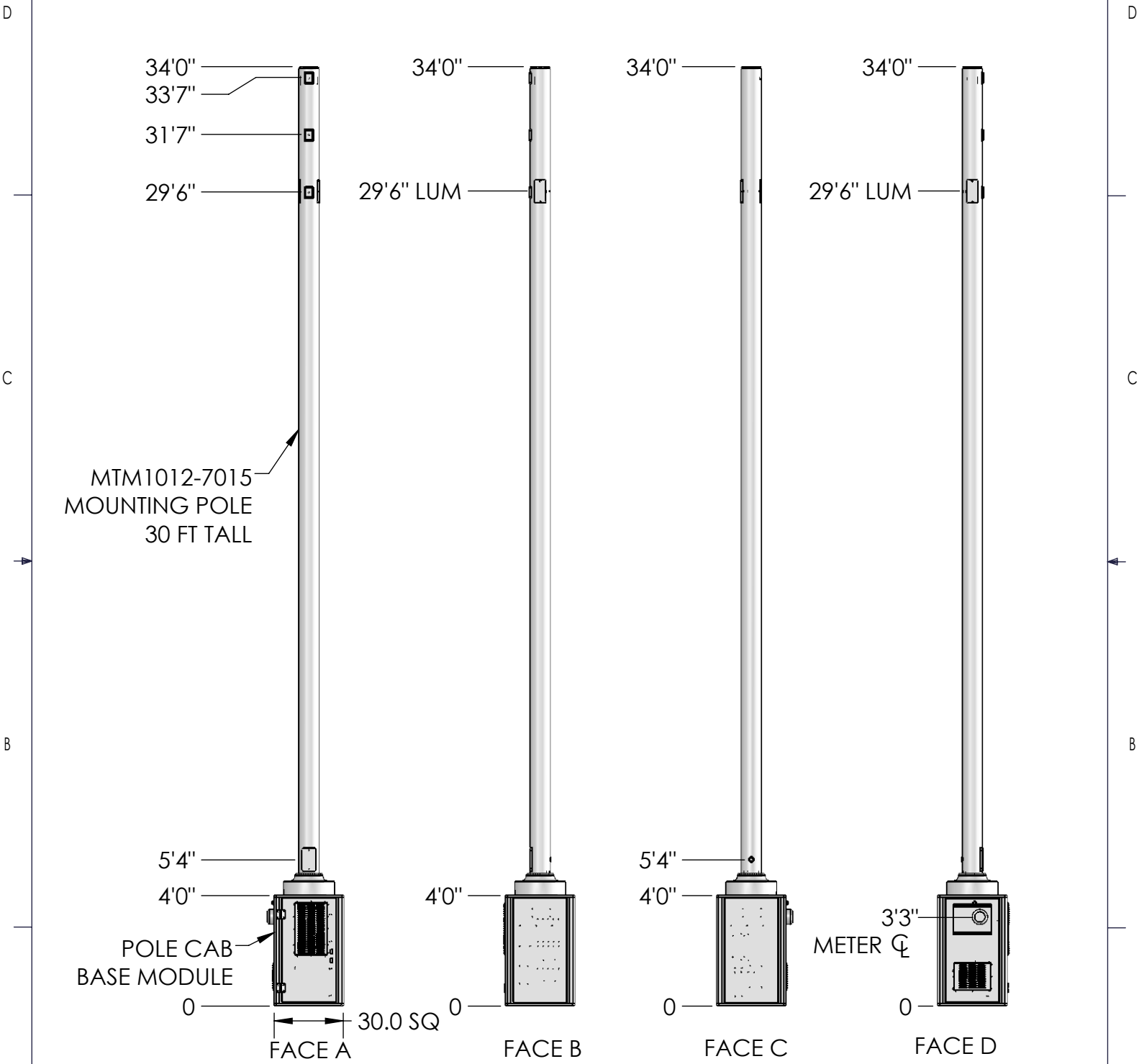
ALL DIMENSIONS ARE IN INCHES U.O.S.
TOLERANCES UNLESS OTHERWISE SPECIFIED:

.X = ±	.12	ANGLES	±2°
.XX = ±	.06	FRACTIONS	±1/32
.XXX = ±	.031		

REMOVE BURRS AND BREAK EDGES .005

DO NOT SCALE THIS PRINT

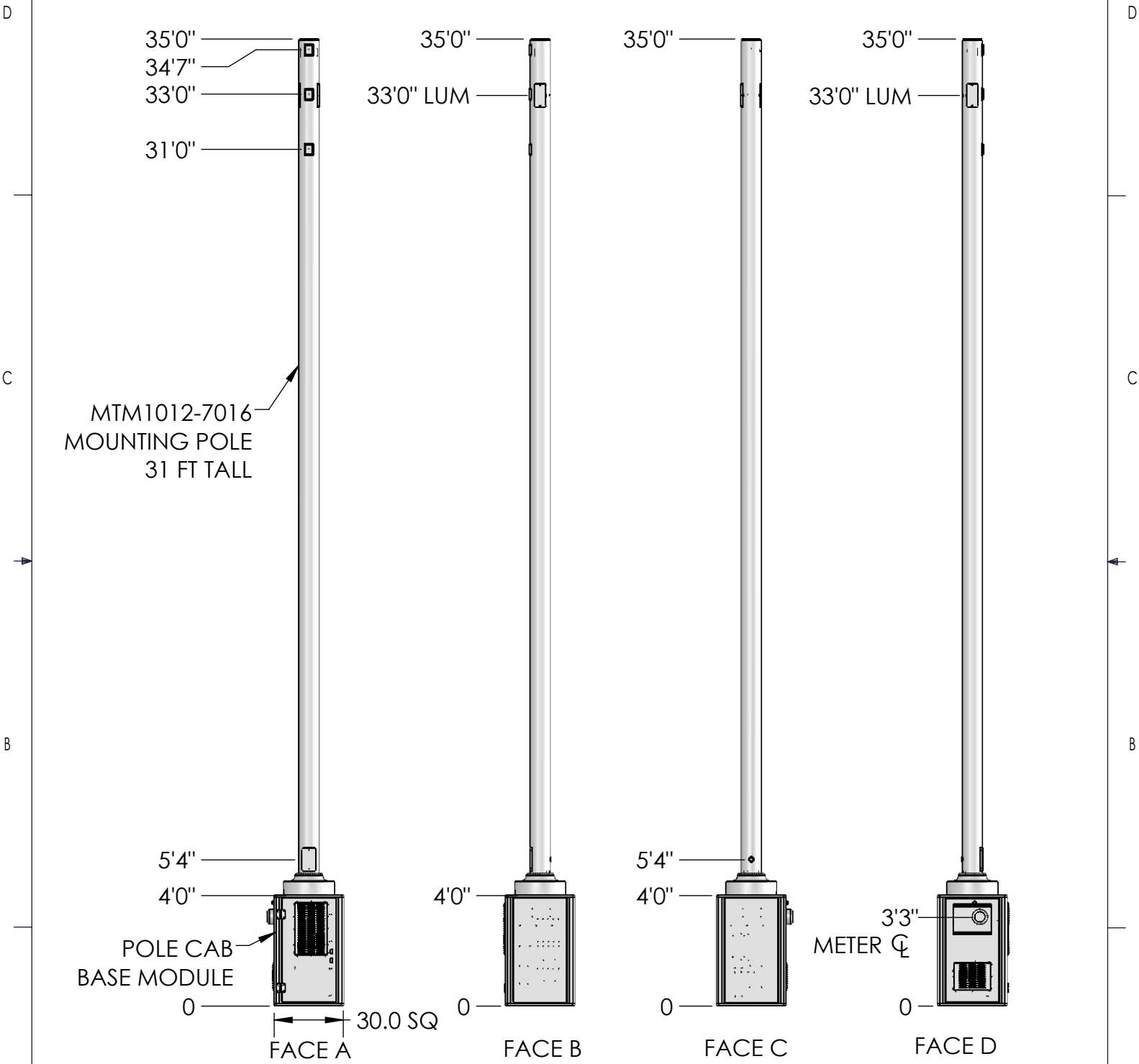
REVISIONS			
REV.	DESCRIPTION	BY	DATE
A	INITIAL RELEASE	MJP	10/22/2021



<p>These drawings and specifications are the proprietary property of CommScope Inc. and may be used only for the specific purpose authorized in writing by CommScope Inc.</p> <p>ALL DIMENSIONS ARE IN INCHES U.O.S. TOLERANCES UNLESS OTHERWISE SPECIFIED:</p> <p>.X = ± .12 ANGLES ±2° .XX = ± .06 FRACTIONS ±1/32 .XXX = ± .031</p> <p>REMOVE BURRS AND BREAK EDGES .005</p> <p>DO NOT SCALE THIS PRINT</p>	<p>DRAWN BY: MJP</p>	<p>SHEET: 20 of 1</p>	<p>PART NUMBER: 760240957xx34xx</p>
	<p>CHECKED BY:</p>	<p>SCALE:</p>	<p>DESCRIPTION: METRO CELL, 30IN POLE CAB SOLUTION</p>
	<p>DATE:</p>	<p>MATERIAL:</p>	<p>DRAWING TYPE:</p>
	<p>REVISION: A</p>	<p>FINISH:</p>	<p>WEIGHT:</p>

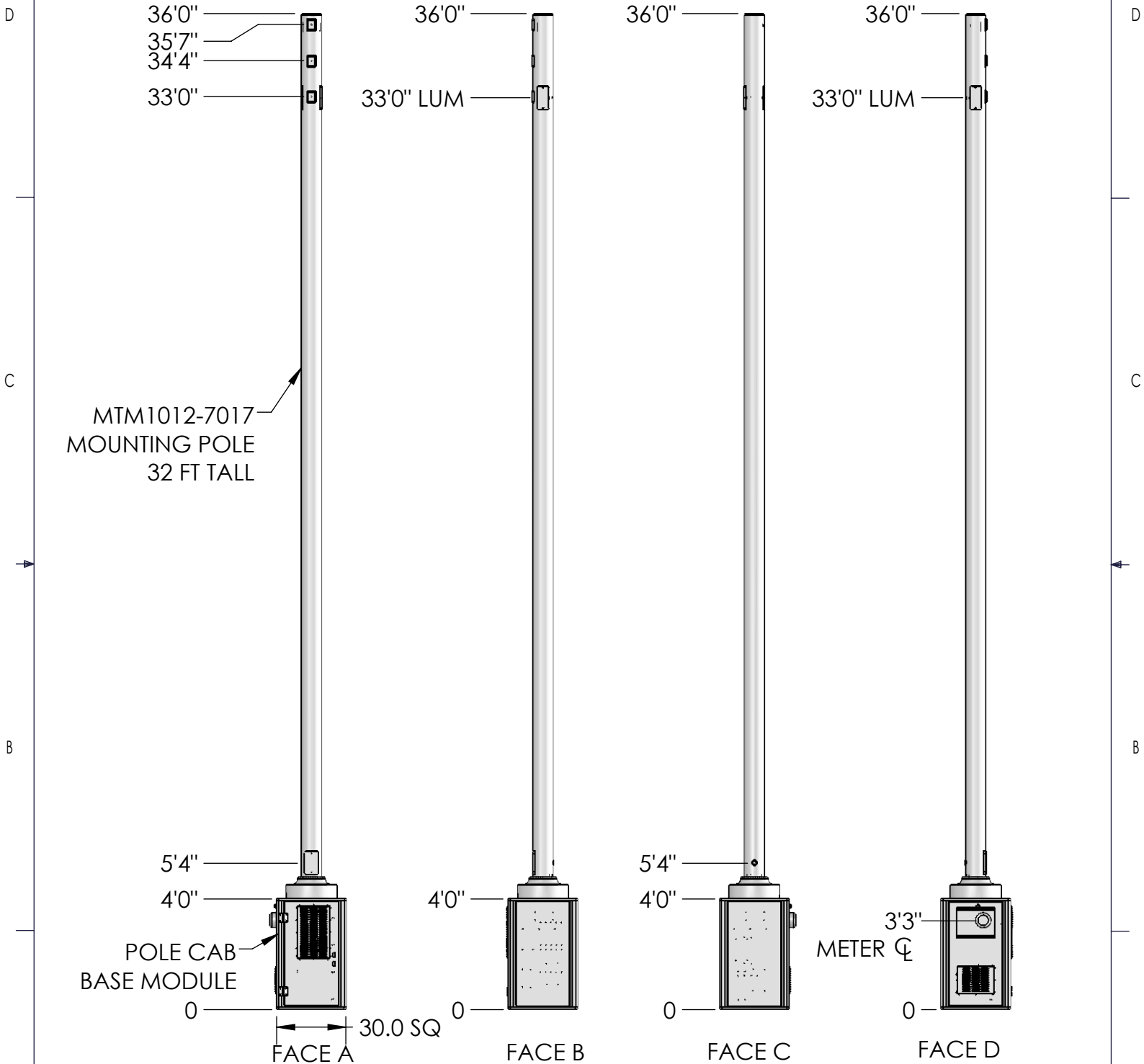


REVISIONS			
REV.	DESCRIPTION	BY	DATE
A	INITIAL RELEASE	MJP	10/22/2021



<p>These drawings and specifications are the proprietary property of CommScope Inc. and may be used only for the specific purpose authorized in writing by CommScope Inc.</p> <p>ALL DIMENSIONS ARE IN INCHES U.O.S. TOLERANCES UNLESS OTHERWISE SPECIFIED:</p> <p>.X = ± .12 ANGLES ±2° .XX = ± .06 FRACTIONS ±1/32 .XXX = ± .031</p> <p>REMOVE BURRS AND BREAK EDGES .005</p> <p>DO NOT SCALE THIS PRINT</p>	<p>DRAWN BY: MJP</p>	<p>SHEET: 21 of 1</p>	<p>PART NUMBER: 760240957xx35xx</p>
	<p>CHECKED BY:</p>	<p>SCALE:</p>	<p>DESCRIPTION: METRO CELL, 30IN POLE CAB SOLUTION</p>
	<p>DATE:</p>	<p>MATERIAL:</p>	<p>DRAWING TYPE:</p>
	<p>REVISION: A</p>	<p>FINISH:</p>	<p>WEIGHT:</p>

REVISIONS			
REV.	DESCRIPTION	BY	DATE
A	INITIAL RELEASE	MJP	10/22/2021



These drawings and specifications are the proprietary property of CommScope Inc. and may be used only for the specific purpose authorized in writing by CommScope Inc.

DRAWN BY:
MJP

SHEET:
22 of 1

PART NUMBER:
760240957xx36xx

CHECKED BY:

SCALE:

DESCRIPTION:
METRO CELL, 30IN POLE CAB SOLUTION

DATE:

MATERIAL:

DRAWING TYPE:

REVISION:

FINISH:

COMMSCOPE®

A

WEIGHT:

ALL DIMENSIONS ARE IN INCHES U.O.S.
TOLERANCES UNLESS OTHERWISE SPECIFIED:
.X = ± .12 ANGLES ±2°
.XX = ± .06 FRACTIONS ±1/32
.XXX = ± .031

REMOVE BURRS AND BREAK EDGES .005

DO NOT SCALE THIS PRINT

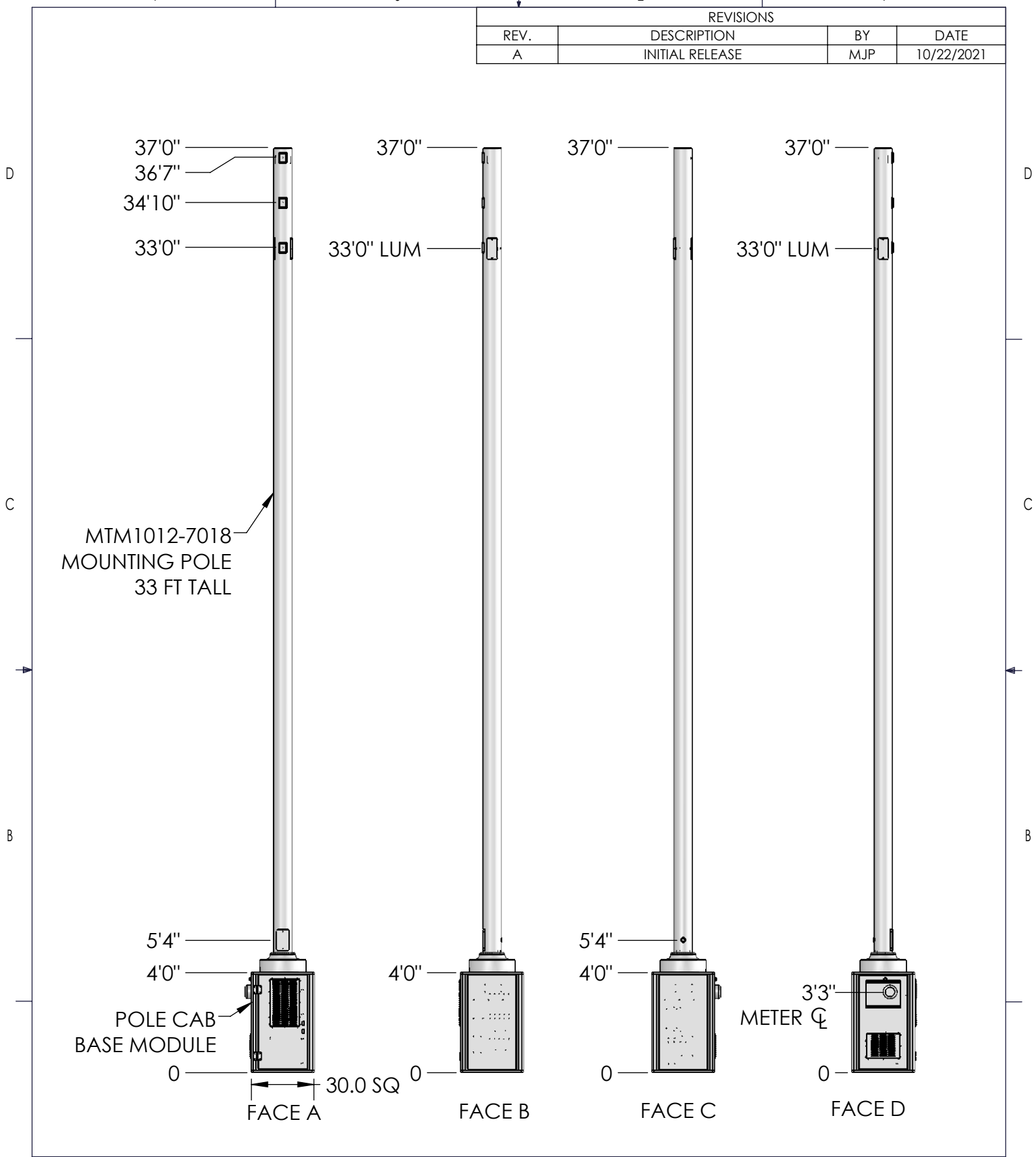
4

3

2

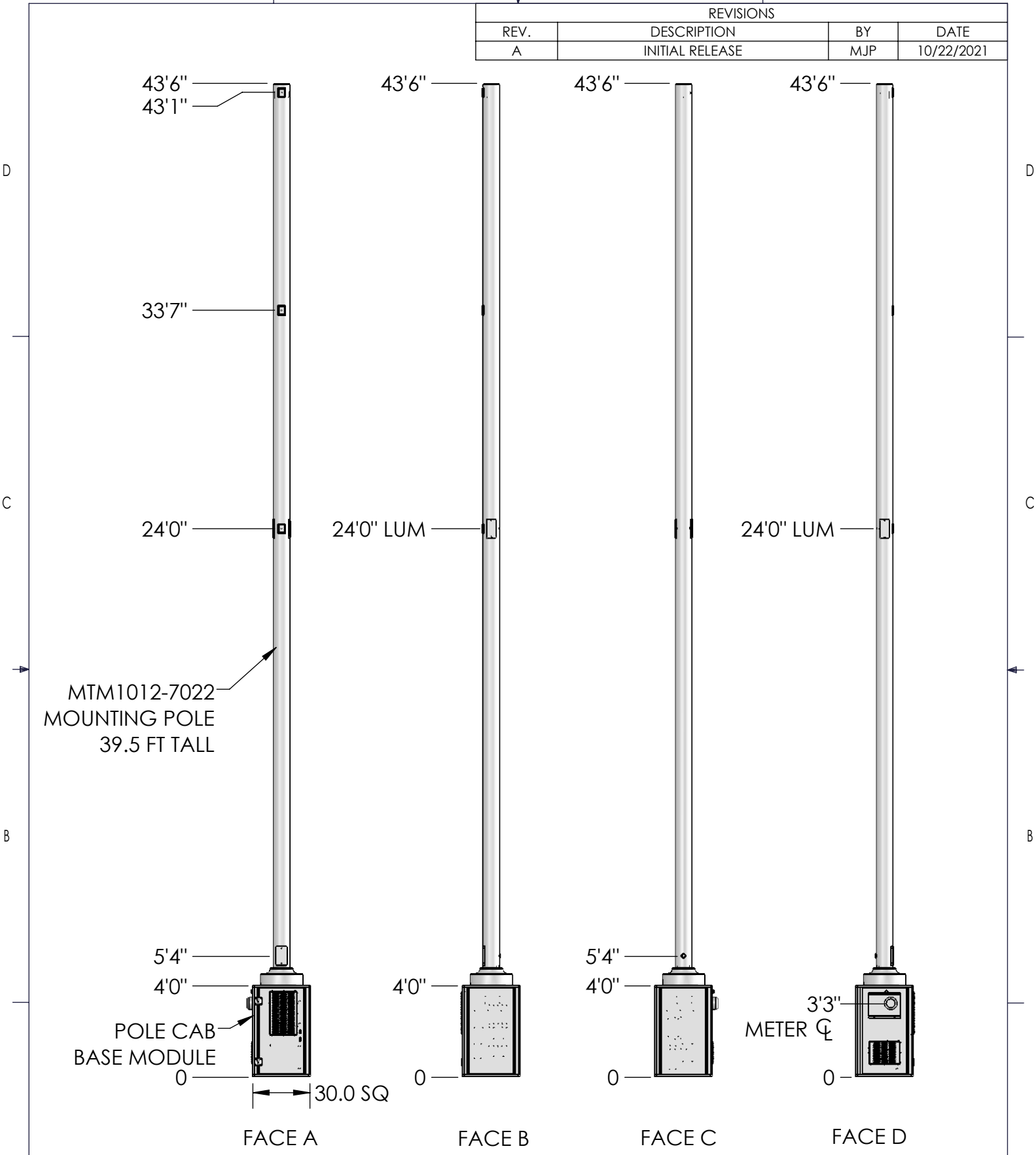
1

REVISIONS			
REV.	DESCRIPTION	BY	DATE
A	INITIAL RELEASE	MJP	10/22/2021



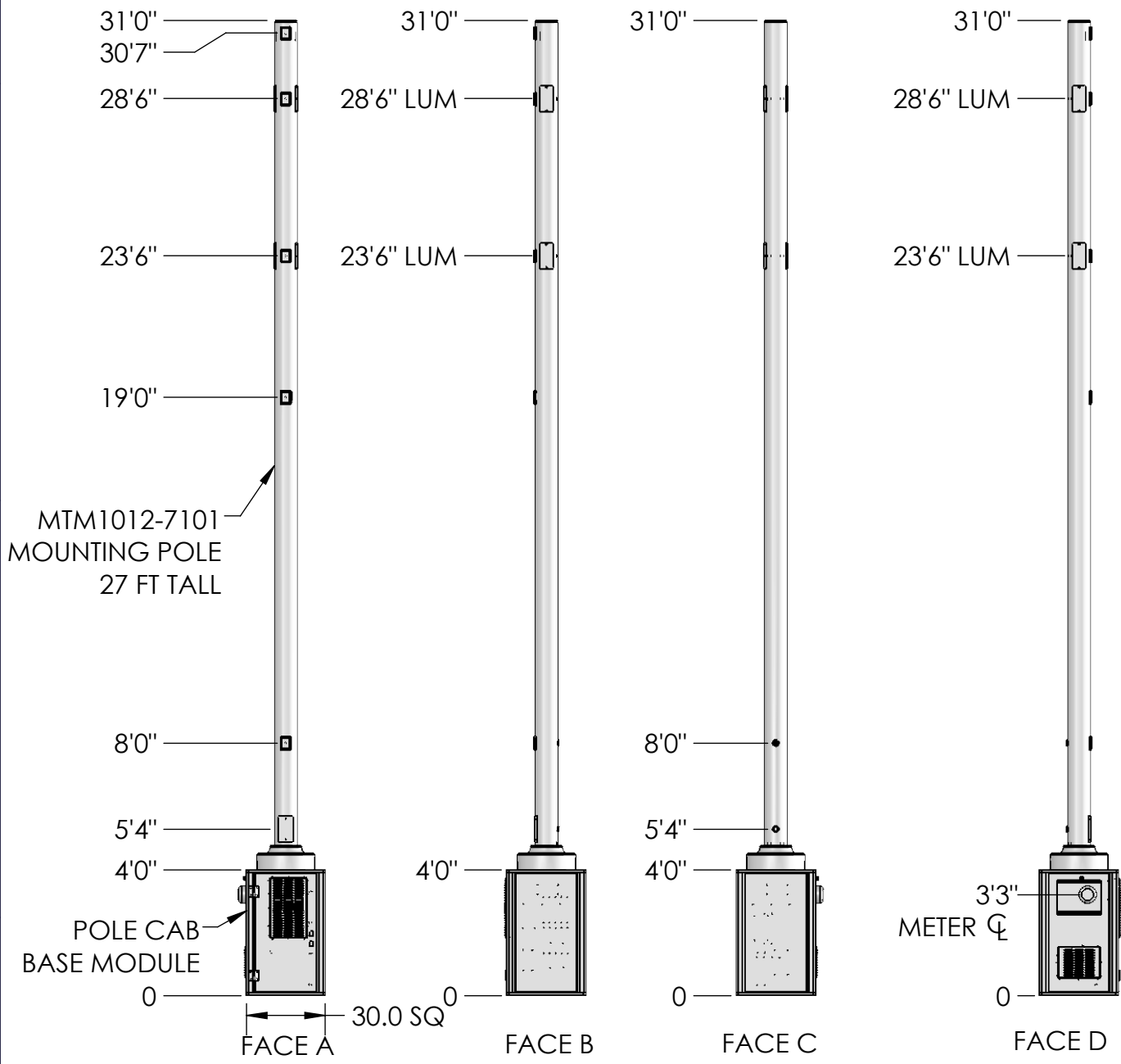
<p>These drawings and specifications are the proprietary property of CommScope Inc. and may be used only for the specific purpose authorized in writing by CommScope Inc.</p> <p>ALL DIMENSIONS ARE IN INCHES U.O.S. TOLERANCES UNLESS OTHERWISE SPECIFIED:</p> <p>.X = ± .12 ANGLES ±2° .XX = ± .06 FRACTIONS ±1/32 .XXX = ± .031</p> <p>REMOVE BURRS AND BREAK EDGES .005</p> <p>DO NOT SCALE THIS PRINT</p>	DRAWN BY: MJP	SHEET: 23 of 1	PART NUMBER: 760240957xx37xx
	CHECKED BY:	SCALE:	DESCRIPTION: METRO CELL, 30IN POLE CAB SOLUTION
	DATE:	MATERIAL:	DRAWING TYPE:
	REVISION: A	FINISH: WEIGHT:	

REVISIONS			
REV.	DESCRIPTION	BY	DATE
A	INITIAL RELEASE	MJP	10/22/2021



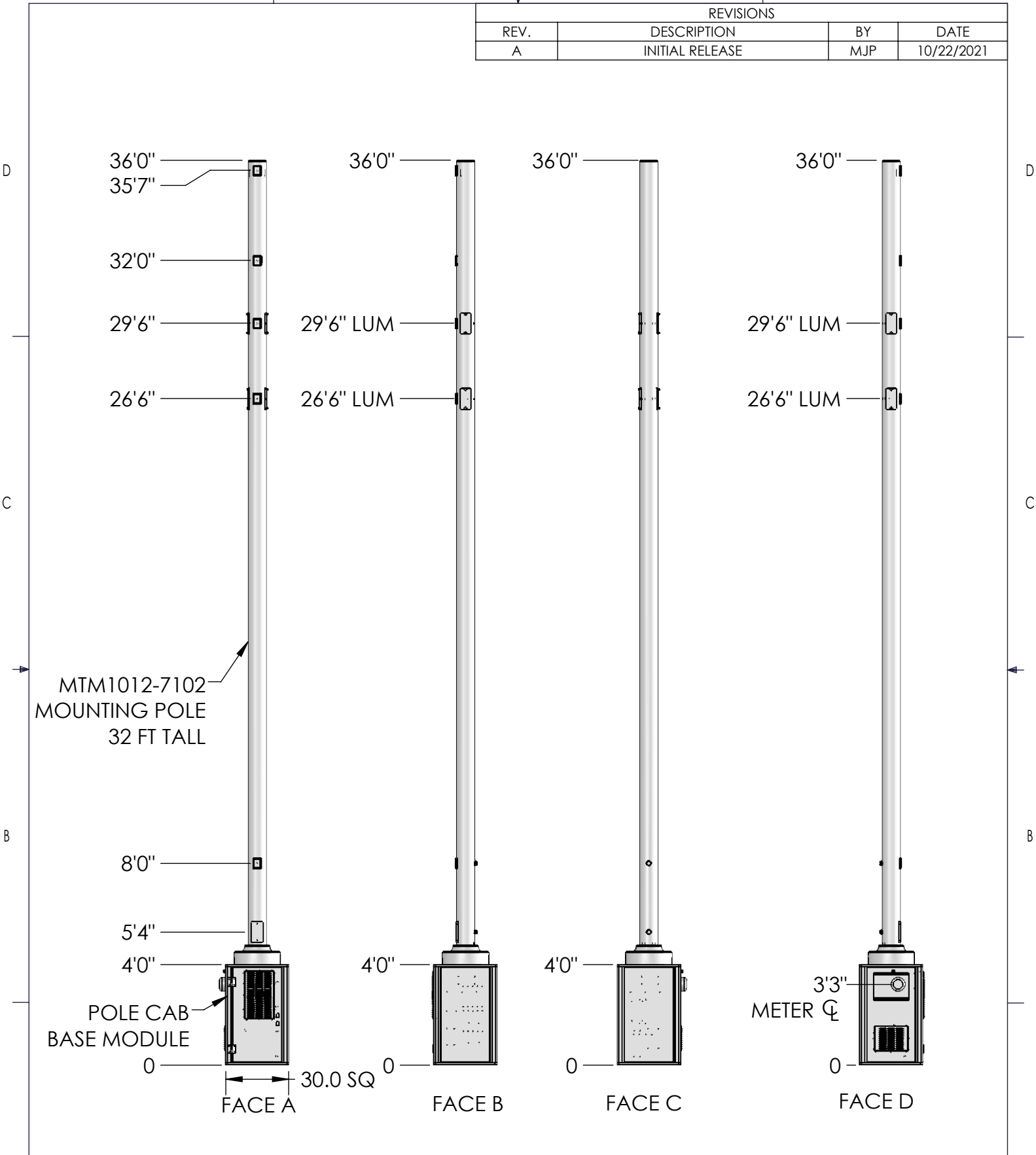
<p>These drawings and specifications are the proprietary property of Commscope Inc. and may be used only for the specific purpose authorized in writing by Commscope Inc.</p> <p>ALL DIMENSIONS ARE IN INCHES U.O.S. TOLERANCES UNLESS OTHERWISE SPECIFIED:</p> <p>.X = ± .12 ANGLES ±2° .XX = ± .06 FRACTIONS ±1/32 .XXX = ± .031</p> <p>REMOVE BURRS AND BREAK EDGES .005</p> <p>DO NOT SCALE THIS PRINT</p>	<p>DRAWN BY: MJP</p>	<p>SHEET: 24 of 1</p>	<p>PART NUMBER: 760240957xx44xx</p>
	<p>CHECKED BY:</p>	<p>SCALE:</p>	<p>DESCRIPTION: METRO CELL, 30IN POLE CAB SOLUTION</p>
	<p>DATE:</p>	<p>MATERIAL:</p>	<p>DRAWING TYPE:</p>
	<p>REVISION: A</p>	<p>FINISH:</p>	<p>COMMSCOPE®</p>
		<p>WEIGHT:</p>	

REVISIONS			
REV.	DESCRIPTION	BY	DATE
A	INITIAL RELEASE	MJP	10/22/2021



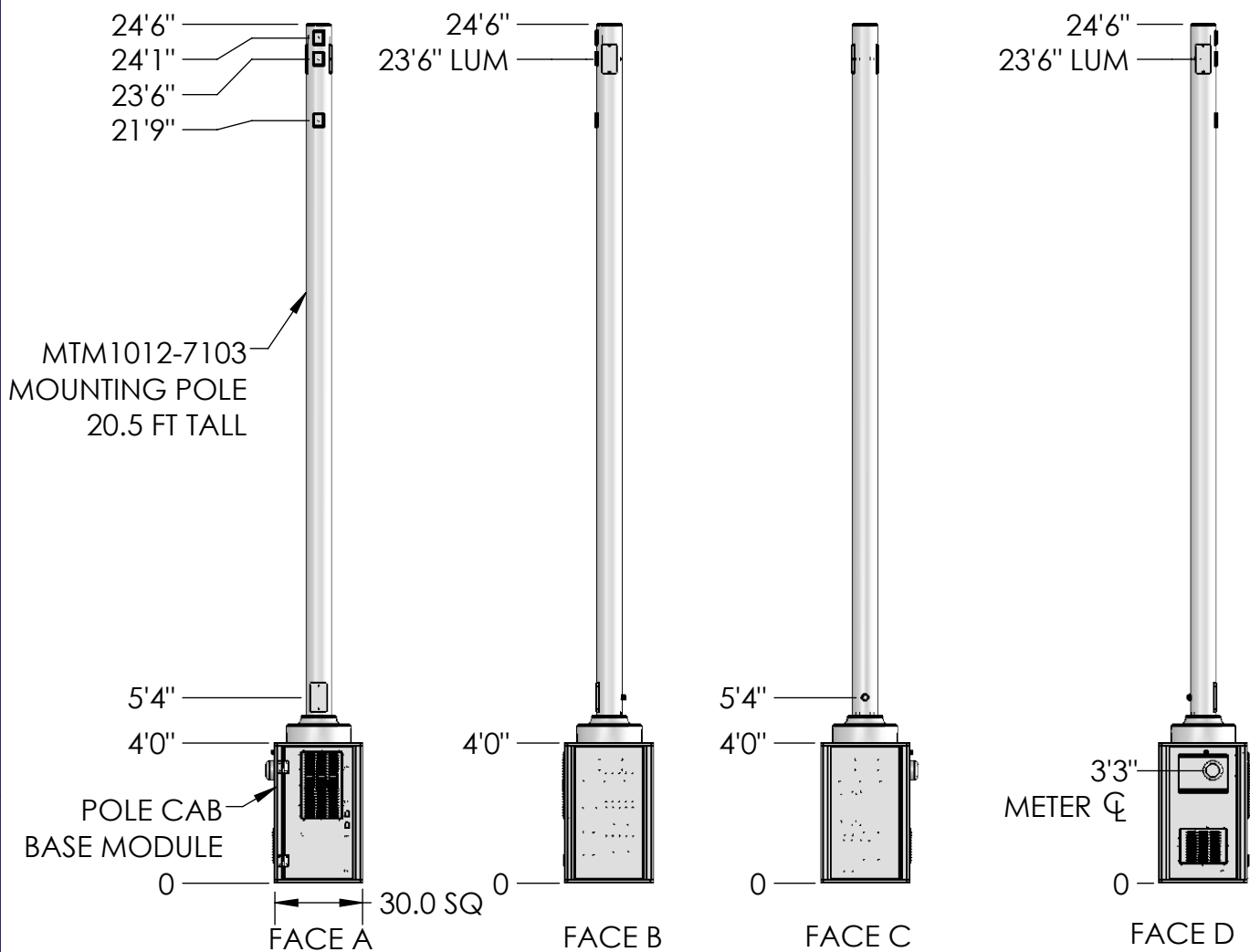
<p>These drawings and specifications are the proprietary property of CommScope Inc. and may be used only for the specific purpose authorized in writing by CommScope Inc.</p> <p>ALL DIMENSIONS ARE IN INCHES U.O.S. TOLERANCES UNLESS OTHERWISE SPECIFIED:</p> <p>.X = ± .12 ANGLES ±2° .XX = ± .06 FRACTIONS ±1/32 .XXX = ± .031</p> <p>REMOVE BURRS AND BREAK EDGES .005</p> <p>DO NOT SCALE THIS PRINT</p>	<p>DRAWN BY: MJP</p>	<p>SHEET: 25 of 1</p>	<p>PART NUMBER: 760240957xx31xx ALT POLE</p>
	<p>CHECKED BY:</p>	<p>SCALE:</p>	<p>DESCRIPTION: METRO CELL, 30IN POLE CAB SOLUTION</p>
	<p>DATE:</p>	<p>MATERIAL:</p>	<p>DRAWING TYPE:</p>
	<p>REVISION: A</p>	<p>FINISH:</p>	<p>WEIGHT:</p>

REVISIONS			
REV.	DESCRIPTION	BY	DATE
A	INITIAL RELEASE	MJP	10/22/2021



<p>These drawings and specifications are the proprietary property of CommScope Inc. and may be used only for the specific purpose authorized in writing by CommScope Inc.</p> <p>ALL DIMENSIONS ARE IN INCHES U.O.S. TOLERANCES UNLESS OTHERWISE SPECIFIED:</p> <p>.X = ± .12 ANGLES ±2° .XX = ± .06 FRACTIONS ±1/32 .XXX = ± .031</p> <p>REMOVE BURRS AND BREAK EDGES .005</p> <p>DO NOT SCALE THIS PRINT</p>	<p>DRAWN BY: MJP</p>	<p>SHEET: 26 of 1</p>	<p>PART NUMBER: 760240957xx36xx ALT POLE</p>
	<p>CHECKED BY:</p>	<p>SCALE:</p>	<p>DESCRIPTION: METRO CELL, 30IN POLE CAB SOLUTION</p>
	<p>DATE:</p>	<p>MATERIAL:</p>	<p>DRAWING TYPE:</p>
	<p>REVISION: A</p>	<p>FINISH:</p>	
		<p>WEIGHT:</p>	

REVISIONS			
REV.	DESCRIPTION	BY	DATE
A	INITIAL RELEASE	MJP	10/22/2021



These drawings and specifications are the proprietary property of CommScope Inc. and may be used only for the specific purpose authorized in writing by CommScope Inc.

DRAWN BY:

MJP

SHEET:

27 of 1

PART NUMBER:

760240957xx25xx ALT POLE

CHECKED BY:

SCALE:

DESCRIPTION:

METRO CELL, 30IN POLE CAB SOLUTION

DATE:

MATERIAL:

DRAWING TYPE:

REVISION:

FINISH:

A

WEIGHT:

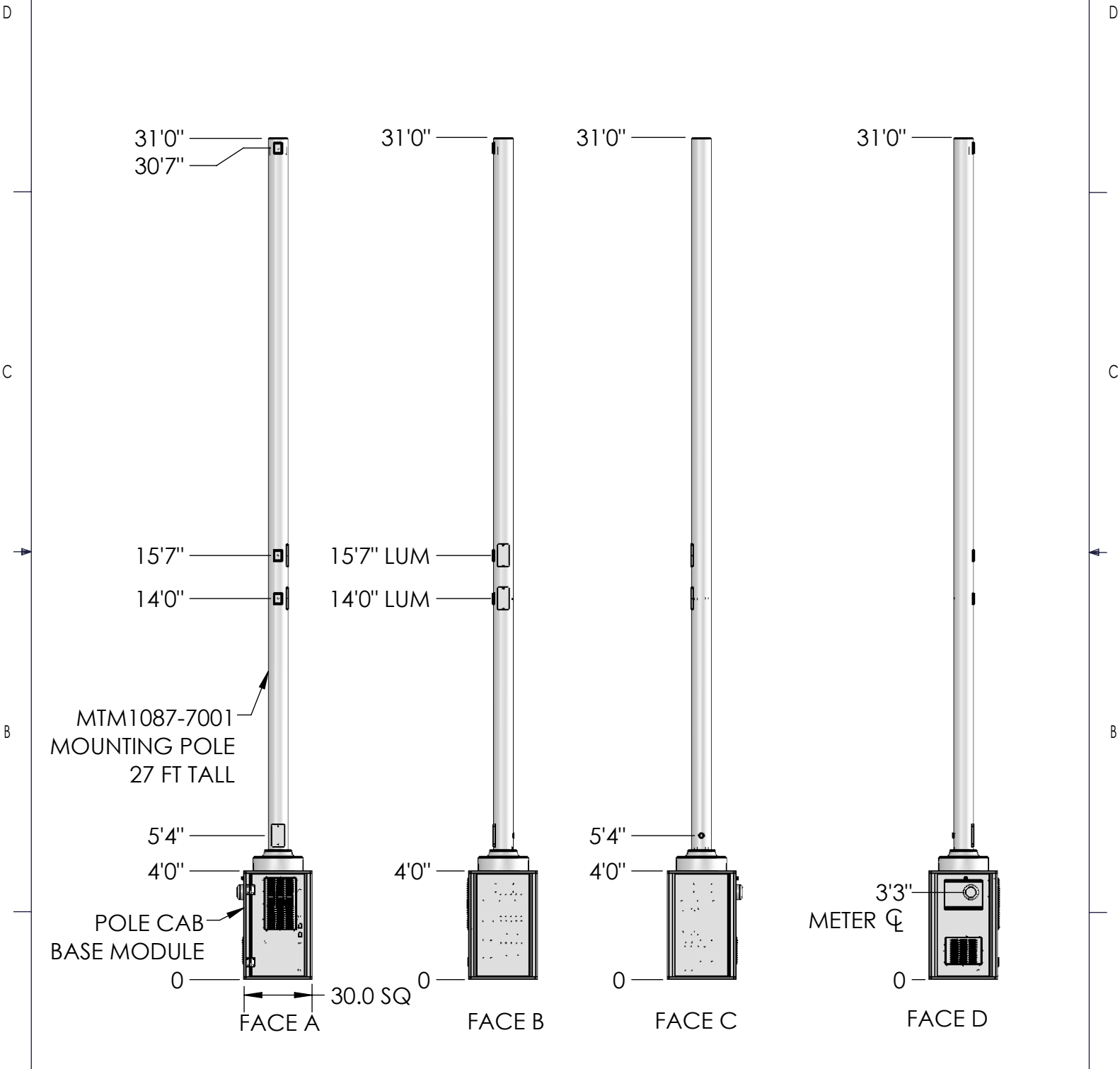
COMMSCOPE®

ALL DIMENSIONS ARE IN INCHES U.O.S.
TOLERANCES UNLESS OTHERWISE SPECIFIED:
.X = ± .12 ANGLES ±2°
.XX = ± .06 FRACTIONS ±1/32
.XXX = ± .031

REMOVE BURRS AND BREAK EDGES .005

DO NOT SCALE THIS PRINT

REVISIONS			
REV.	DESCRIPTION	BY	DATE
A	INITIAL RELEASE	MJP	10/22/2021



These drawings and specifications are the proprietary property of CommScope Inc. and may be used only for the specific purpose authorized in writing by CommScope Inc.

ALL DIMENSIONS ARE IN INCHES U.O.S.
TOLERANCES UNLESS OTHERWISE SPECIFIED:

.X = ±	.12	ANGLES	±2°
.XX = ±	.06	FRACTIONS	±1/32
.XXX = ±	.031		

REMOVE BURRS AND BREAK EDGES .005

DO NOT SCALE THIS PRINT

DRAWN BY: MJP	SHEET: 28 of 1
CHECKED BY:	SCALE:
DATE:	MATERIAL:
REVISION: A	FINISH: WEIGHT:

PART NUMBER:
760240957xx31xx ALT POLE-2

DESCRIPTION:
METRO CELL, 30IN POLE CAB SOLUTION

DRAWING TYPE:

COMMSCOPE®