

# TA-BYFYF-12.6

---



1.5-3.5 Female to 1.5-3.5 Female Adapter

## Product Classification

**Product Type** Adapter

## General Specifications

**Body Style** Straight

**Inner Contact Plating** Gold

**Interface** 1.5-3.5 Female

**Interface 2** 1.5-3.5 Female

**Mounting Angle** Straight

**Outer Contact Plating** Silver

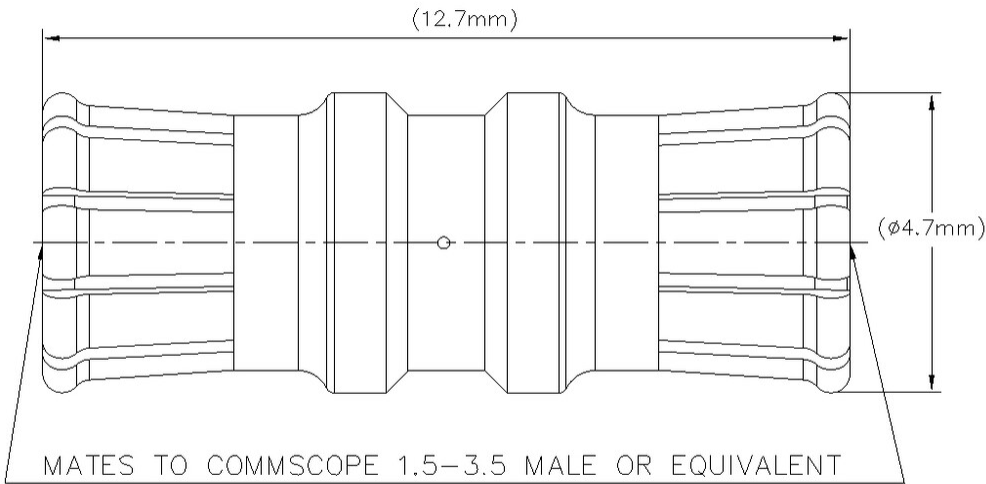
## Dimensions

**Length** 12.6 mm | 0.496 in

**Diameter** 4.7 mm | 0.185 in

## Outline Drawing

# TA-BYFYF-12.6



## Electrical Specifications

<b>3rd Order IMD at Frequency</b>	-110 dBm @ 3500 MHz   -116 dBm @ 1800 MHz
<b>3rd Order IMD Test Method</b>	Two +43 dBm carriers
<b>Connector Impedance</b>	50 ohm
<b>dc Test Voltage</b>	1000 V
<b>Inner Contact Resistance, maximum</b>	2 mOhm
<b>Insulation Resistance, minimum</b>	5000 MOhm
<b>Operating Frequency Band</b>	0 – 6000 MHz
<b>Outer Contact Resistance, maximum</b>	2 mOhm
<b>Peak Power, maximum</b>	100 kW

## VSWR/Return Loss

Frequency Band	VSWR	Return Loss (dB)
450–2200 MHz	1.07	30
2200–3800 MHz	1.07	30
3800–4200 MHz	1.09	28
4200–6000 MHz	1.23	20

# TA-BYFYF-12.6

---

## Mechanical Specifications

<b>Axial Range</b>	12.6   14.6
<b>Insertion Force</b>	15 N   3.372 lbf
<b>Separation Force</b>	15 N   3.372 lbf
<b>Interface Durability</b>	100 cycles
<b>Axial Misalignment</b>	1 mm   0.039 in
<b>Radial Float/Misalignment</b>	4°

## Environmental Specifications

<b>Operating Temperature</b>	-55 °C to +85 °C (-67 °F to +185 °F)
<b>Storage Temperature</b>	-65 °C to +125 °C (-85 °F to +257 °F)
<b>Attenuation, Ambient Temperature</b>	20 °C   68 °F
<b>Average Power, Ambient Temperature</b>	40 °C   104 °F
<b>Climatic Sequence Test Method</b>	IEC 60068-1
<b>Corrosion Test Method</b>	IEC 60068-2-11
<b>Damp Heat Steady State Test Method</b>	IEC 60068-2-3
<b>Thermal Shock Test Method</b>	IEC 60068-2-14
<b>Vibration Test Method</b>	IEC 60068-2-6

## Packaging and Weights

<b>Weight, net</b>	0.57 g   0.001 lb
--------------------	-------------------

## Regulatory Compliance/Certifications

<b>Agency</b>	<b>Classification</b>
CHINA-ROHS	Below maximum concentration value
REACH-SVHC	Compliant as per SVHC revision on <a href="http://www.commscope.com/ProductCompliance">www.commscope.com/ProductCompliance</a>
ROHS	Compliant

