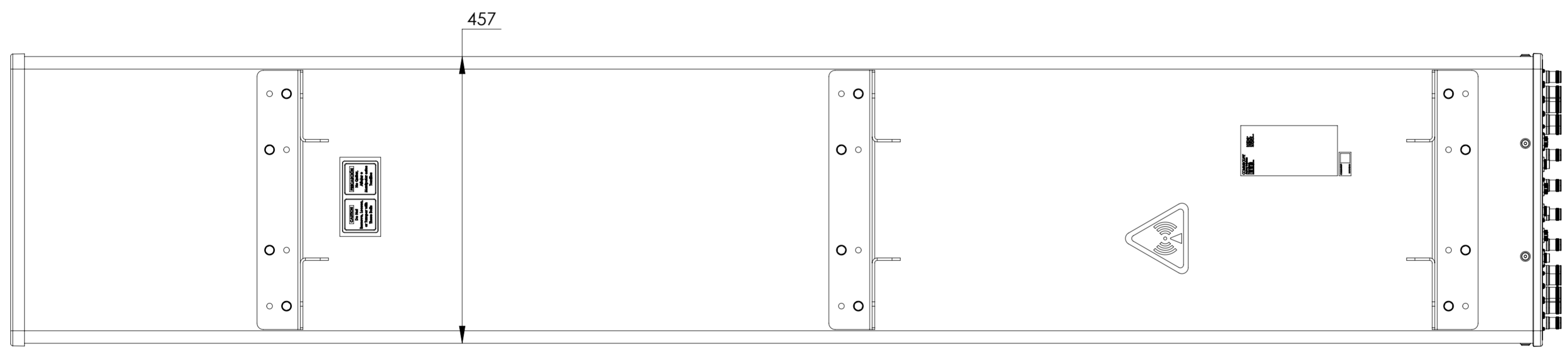
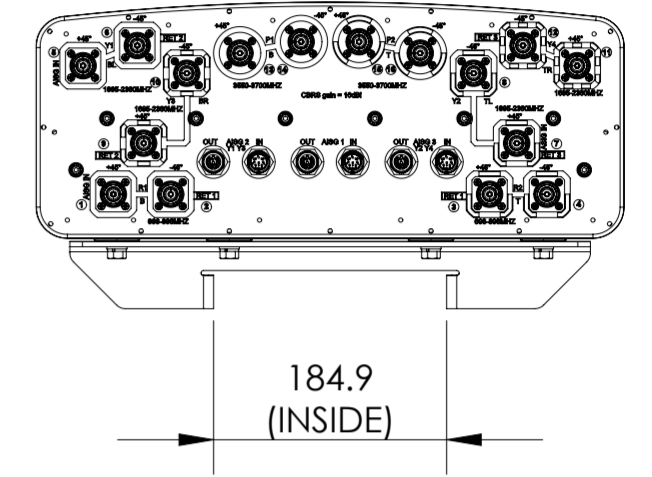
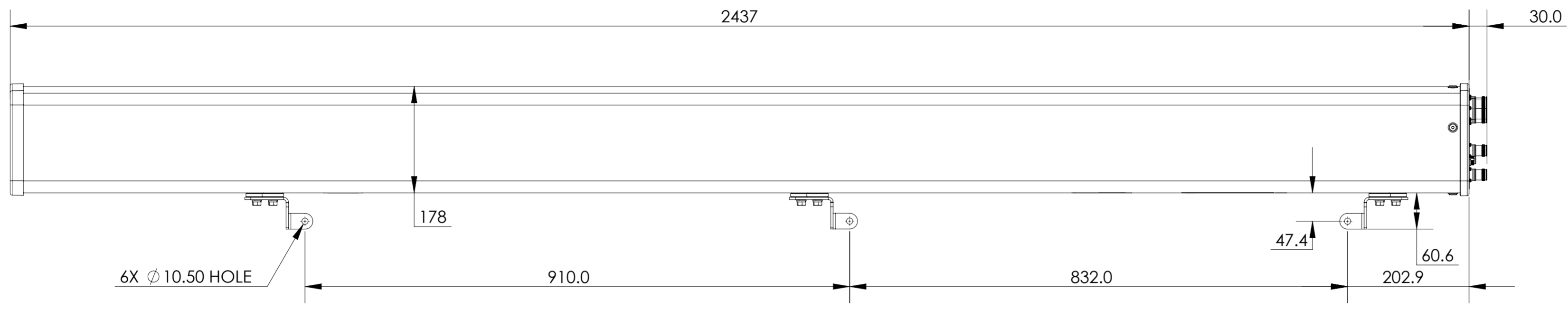


REVISIONS			
REV.	DESCRIPTION	DATE	APPROVED
A	ECR 11906: RELEASE TO PRODUCTION PER EAO 608735.	05AUG21 PW	SU/SAS



NNH4SS-45C-R3BT8

**COMMScope, INC. OF NORTH CAROLINA**

TOLERANCES		SAP MATERIAL MASTER							
0 PLACE X ±	2 PLACE .XX ±								
1 PLACE .X ±	ANGLES ±								
FINISH N/A		MATERIAL SEE BOM FOR MATERIAL LIST							
UNLESS OTHERWISE SPECIFIED DIMENSIONS ARE IN MILLIMETERS INTERPRET PER ISO STANDARDS HANDBOOK TECHNICAL DRAWINGS VOLUMES 1 & 2, THIRD EDITION (2002)	NAME	DATE	TITLE						
	CE PW1035	08/05/2021	<b>PRODUCT DRAWING</b>						
	RW								
	AD								
	RE								
ECN									
SCALE	DOCUMENT NO.								
<b>1:6</b>	<b>NNH4SS-45C-R3BT8-L</b>								
SIZE	Auth Group	BSA	MODEL						
<b>A2</b>			VERSION	STATUS	REVISION	VERSION	STATUS	REVISION	SHEET