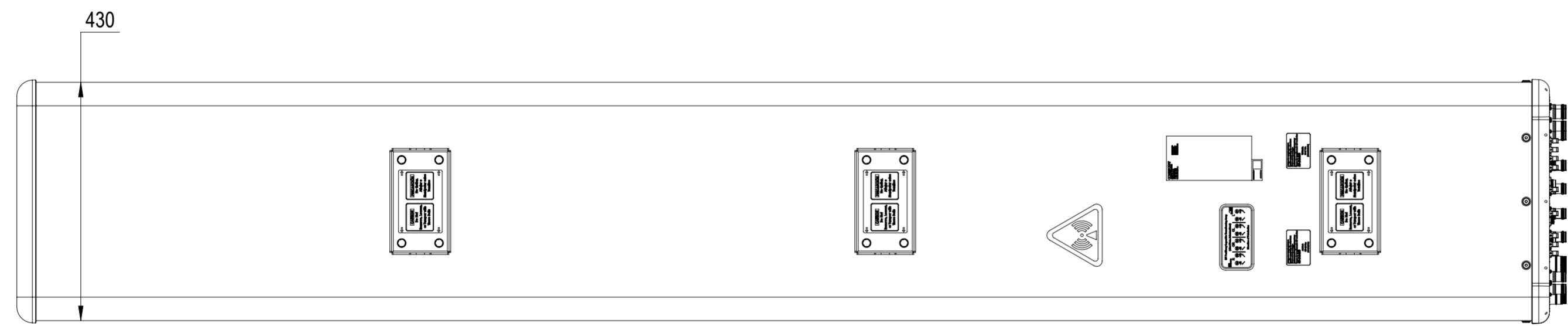
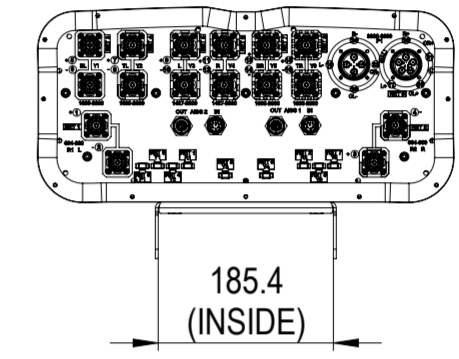
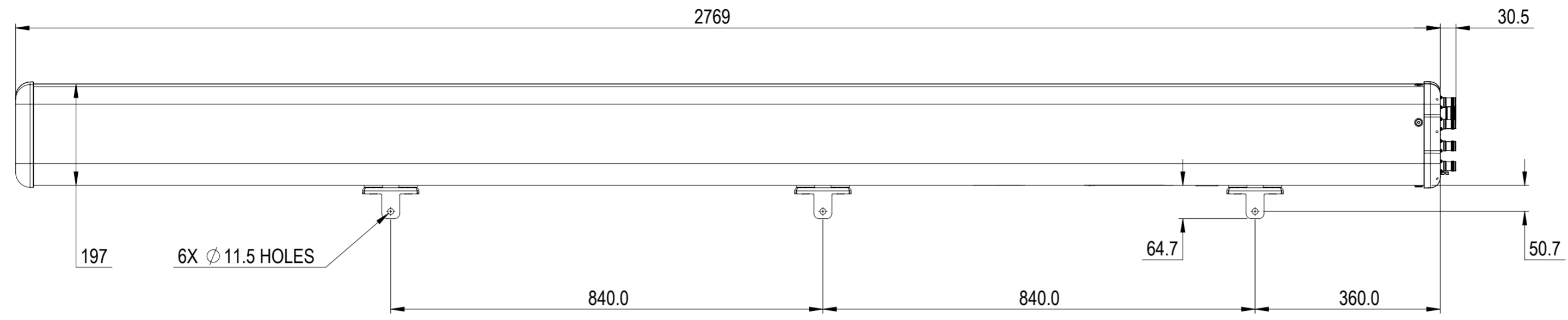


REVISIONS			
REV.	DESCRIPTION	DATE	APPROVED
A	ECR 11078PC: REL TO PRODUCTION PER EAO 609462.	21JUN21 SCY	ZCD/QZY



RRZZV4S4-65DR9NV4

COMMSCOPE, INC. OF NORTH CAROLINA

TOLERANCES		SAP MATERIAL MASTER	
0 PLACE X ±	2 PLACE .XX ±		
1 PLACE .X ±	ANGLES ±		
FINISH		MATERIAL	
<small>UNLESS OTHERWISE SPECIFIED DIMENSIONS ARE IN MILLIMETERS INTERPRET PER ISO STANDARDS HANDBOOK TECHNICAL DRAWINGS VOLUMES 1 & 2, THIRD EDITION (2002)</small>		NAME	DATE
		CE SCY	06/21/2021
		RW CSH1	06/28/2021
		AD CZHENG2	06/28/2021
		RE XS1022	06/28/2021
ECN 11078PC		SCALE	DOCUMENT NO.
		1:8	RRZZV4S4-65DR9NV4-L
SIZE	Auth Group	BSA	MODEL
A2			VERSION STATUS REVISION
			VERSION STATUS REVISION
			00 RE A 00 RE A
			DRAWING SHEET
			1 OF 1