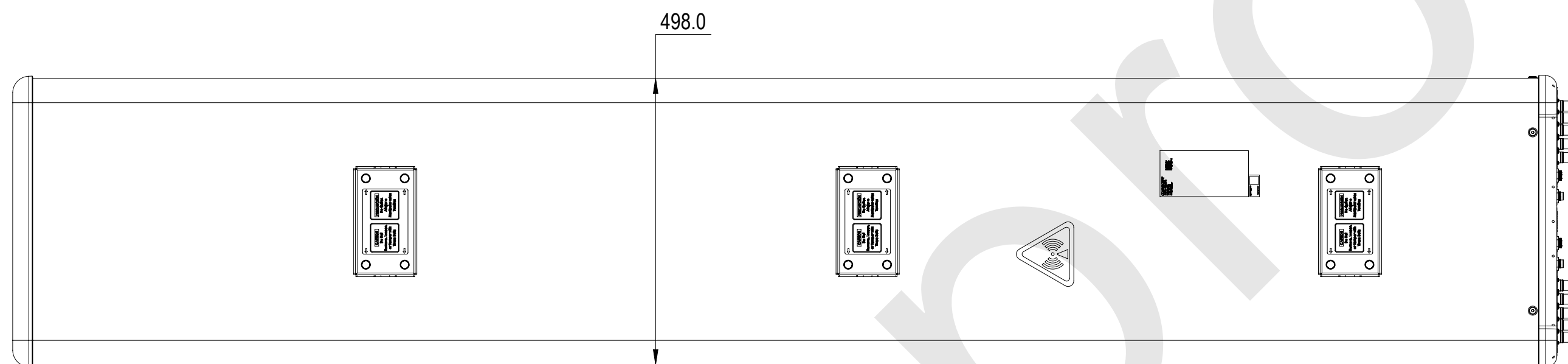
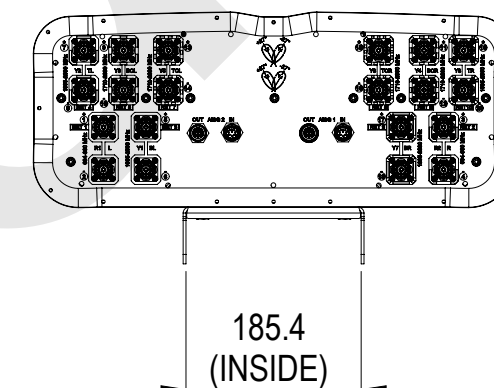
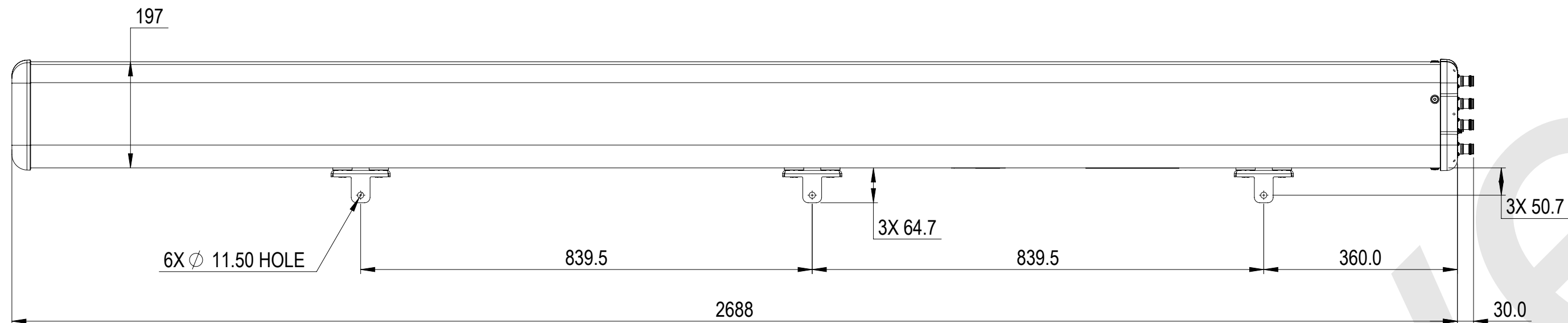


REVISIONS			
REV.	DESCRIPTION	DATE	APPROVED
A	ECR 12344: REL TO PRODUCTION PER EAO 609694.	25JUN21 TKN	SM/SUS



RRV42VV-6533D-R10

COMMSCOPE, INC. OF NORTH CAROLINA									
TOLERANCES					SAP MATERIAL MASTER				
0 PLACE X ±		2 PLACE .XX ±							
1 PLACE .X ±		ANGLES ±							
FINISH					MATERIAL				
PRODUCT DRAWING									
UNLESS OTHERWISE SPECIFIED DIMENSIONS ARE IN MILLIMETERS INTERPRET PER ISO STANDARDS HANDBOOK TECHNICAL DRAWINGS VOLUMES 1 & 2, THIRD EDITION (2002)	NAME	DATE	TITLE						
	CE TNAIK1	06/25/2021	RRV42VV-6533D-R10-L						
	RW SK1136	06/26/2021							
	AD SMADDULA	06/26/2021							
	RE								
ECN 12344PC									
SCALE	DOCUMENT NO.								
1:8	RRV42VV-6533D-R10-L								
SIZE	Auth Group	BSA	MODEL			DRAWING			SHEET
A2			VERSION	STATUS	REVISION	VERSION	STATUS	REVISION	1 OF 1
			00	AD	A	00	AD	A	

DENSITY	g/mm ³
MASS	grams
VOLUME	mm ³
SURFACE AREA	mm ²
HEIGHT	
LENGTH	
WIDTH	

© 2021 CommScope, Inc.