

# E14F60P23

---

2X Triplexer 703-862/880-960/1350-2700, DC bypass on all ports, with 4.3-10 connectors

- Industry leading PIM performance
- Twin configuration
- New 4.3-10 connectors for improved PIM performance and size reduction
- Designed for network modernization application, introduction of LTE1400 on existing site
- Designed for network modernization application, introduction of LTE700 and LTE800 on existing site
- DC/AISG passing on all ports

## Product Classification

**Product Type** Triplexer

## General Specifications

**Color** Gray

**Modularity** 2-Twin

**Mounting** Pole | Wall

**Mounting Pipe Hardware** Band clamps (2)

**RF Connector Interface** 4.3-10 Female

## Dimensions

**Height** 110 mm | 4.331 in

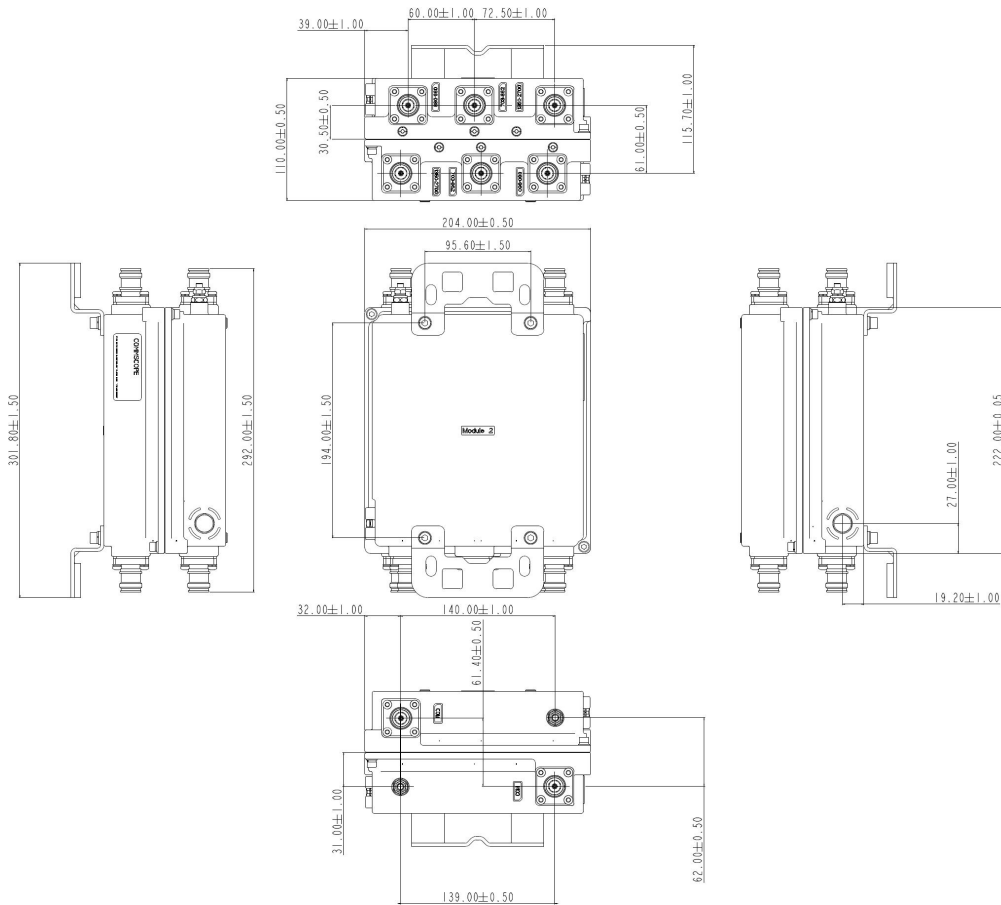
**Width** 204 mm | 8.032 in

**Depth** 222 mm | 8.74 in

**Mounting Pipe Diameter Range** 43–122 mm

## Outline Drawing

# E14F60P23



## Electrical Specifications

**Impedance** 50 ohm

## Electrical Specifications, dc Power/Alarm

**dc/AISG Pass-through, combiner** Autosensing

**dc/AISG Pass-through, demultiplexer** Autosensing

**Lightning Surge Current** 10 kA

**Lightning Surge Current Waveform** 8/20 waveform

## Electrical Specifications

Sub-module	1   2	1   2	1   2
Branch	1	2	3
Port Designation	703-862	880-960	1350-2700
License Band	APT 700, Band Pass EDD 800, Band Pass	CEL 900, Band Pass LMR 900, Band Pass	DCS 1800, Band Pass IMT 2100, Band Pass

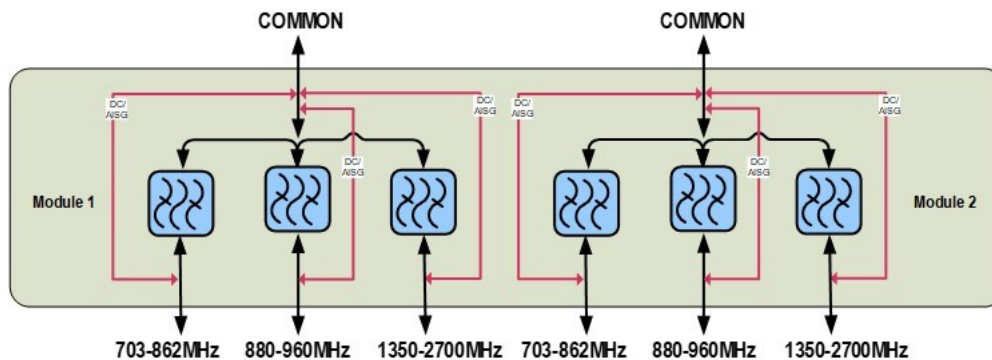
# E14F60P23

TDD 2300, Band Pass  
IMT 2600, Band Pass

## Electrical Specifications, Band Pass

Frequency Range, MHz	703–862	880–960	1350–2700
Insertion Loss, typical, dB	0.45	0.45	0.4
Return Loss, typical, dB	20	20	20
Isolation, typical, dB	51	51	51
Input Power, RMS, maximum, W	300	300	300
Input Power, PEP, maximum, W	3000	3000	3000
3rd Order PIM, typical, dBc	-162	-162	-162
3rd Order PIM Test Method	Two +43 dBm carriers	Two +43 dBm carriers	Two +43 dBm carriers

## Block Diagram



## Environmental Specifications

Operating Temperature	-40 °C to +65 °C (-40 °F to +149 °F)
Corrosion Test Method	IEC 60068-2-11, 30 days
Environmental Test Method	ETSI EN 300 019-1-4
Ingress Protection Test Method	IEC 60529:2001, IP67

## Packaging and Weights

Included	Mounting hardware
Volume	5.1 L
Weight, with mounting hardware	7.1 kg   15.653 lb
Weight, without mounting hardware	6.8 kg   14.991 lb

## Regulatory Compliance/Certifications

# E14F60P23

---

**Agency**

ISO 9001:2015

**Classification**

Designed, manufactured and/or distributed under this quality management system