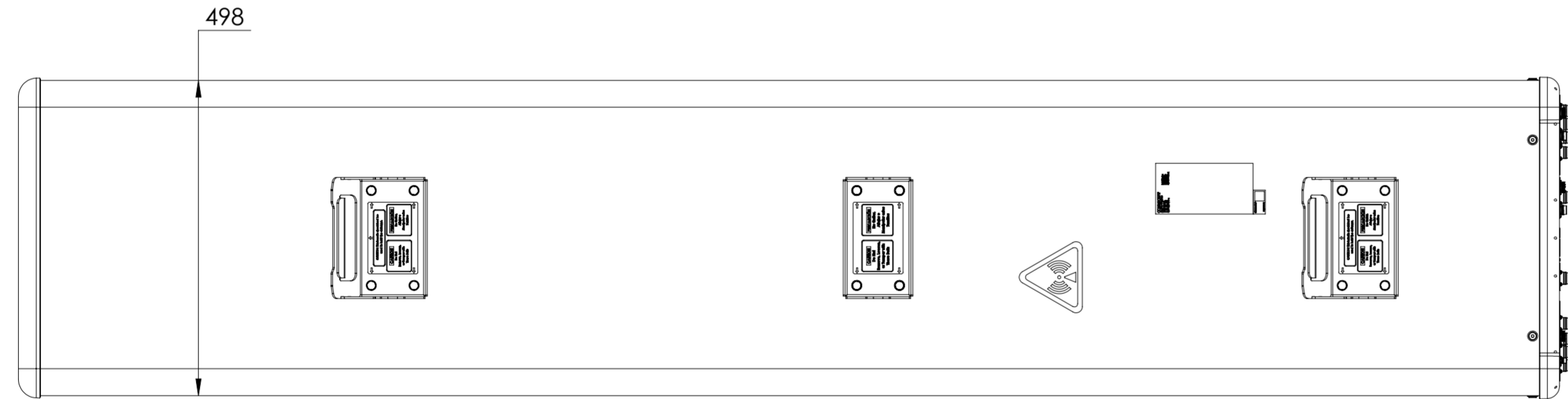
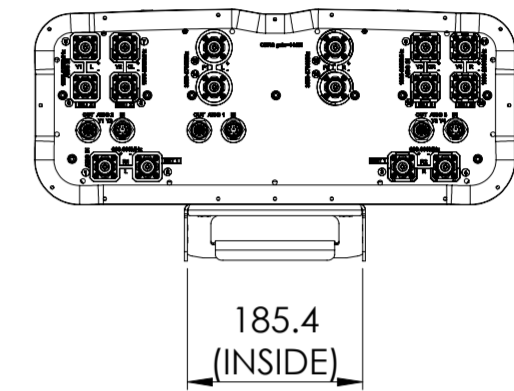
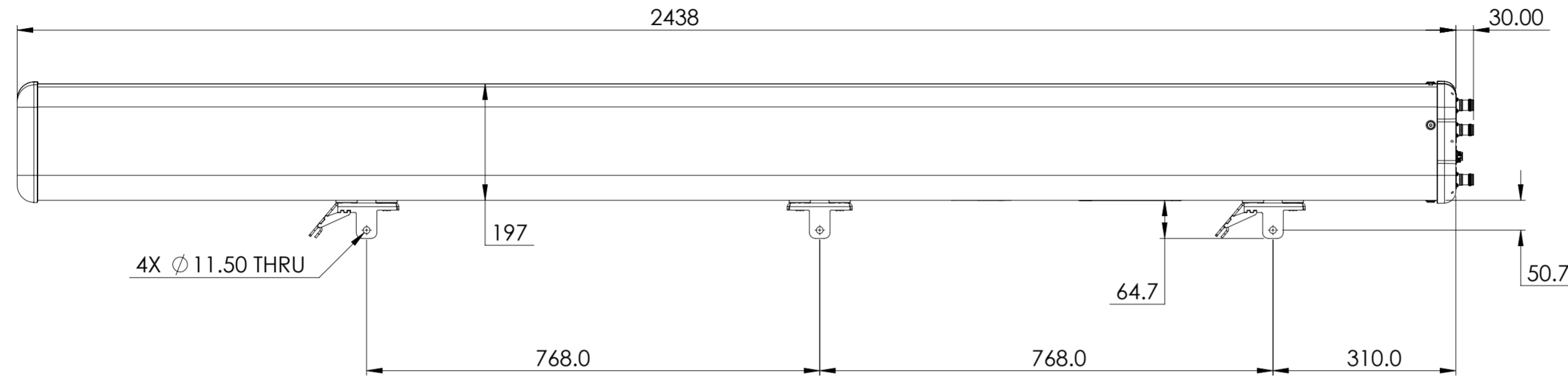


REVISIONS			
REV.	DESCRIPTION	DATE	APPROVED
A	ECR 10923: RELEASE TO PRODUCTION PER EAO 608925.	29MAY21 GB	CM/UK



NNH4SS-65C-R3BT8

<b>COMMSCOPE, INC. OF NORTH CAROLINA</b>														
TOLERANCES						SAP MATERIAL MASTER								
0 PLACE X ±		2 PLACE .XX ±												
1 PLACE .X ±		ANGLES ±												
FINISH						MATERIAL								
<b>PRODUCT DRAWING</b>														
UNLESS OTHERWISE SPECIFIED DIMENSIONS ARE IN MILLIMETERS INTERPRET PER ISO STANDARDS HANDBOOK TECHNICAL DRAWINGS VOLUMES 1 & 2, THIRD EDITION (2002)			NAME		DATE		TITLE							
			CE		GBANDEKAR		08/06/2021							
			RW		GBANDEKAR		05/18/2021							
			AD											
RE						SCALE		DOCUMENT NO.						
						1:8		NNH4SS-65C-R3BT8-L						
						ECN 10923PC								
DENSITY		g/mm <sup>3</sup>				SIZE		Auth Group		BSA				
MASS		grams				A2		MODEL		DRAWING				
VOLUME		mm <sup>3</sup>				VERSION		STATUS		REVISION				
SURFACE AREA		mm <sup>2</sup>				00		RE		00				
HEIGHT						VERSION		STATUS		REVISION				
LENGTH						00		IW						
WIDTH										SHEET				
										1 OF 1				