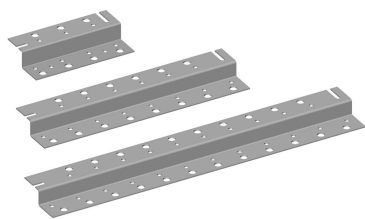


ZB-H8



Horizontal Z-bracket, 23 in, for 14 coaxial cable runs

Product Classification

Product Type Z-Bracket

General Specifications

Cable Runs, quantity 14

Hole, quantity 14

Mounting Walls

Dimensions

Height 50.8 mm | 2 in

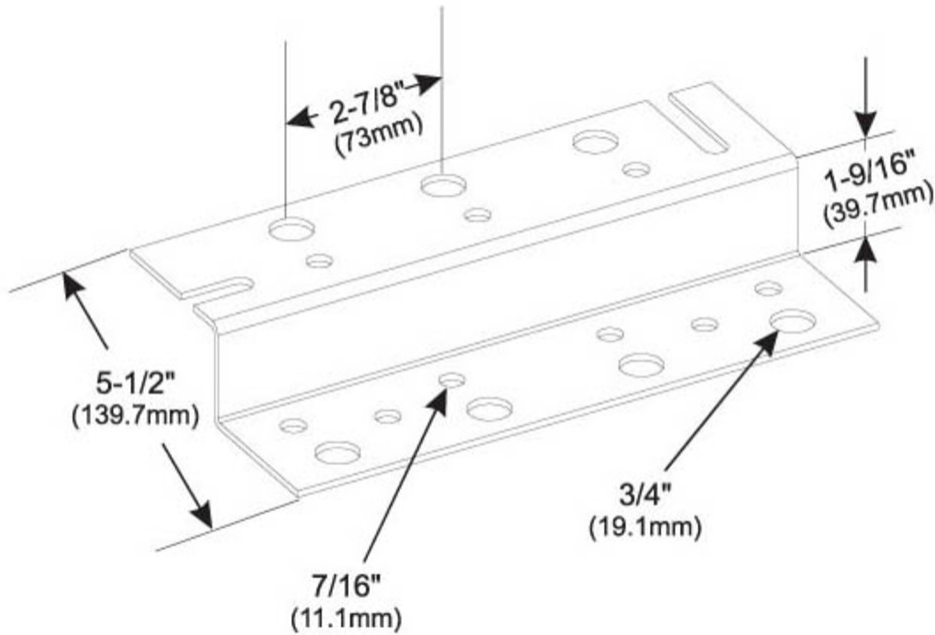
Width 152.4 mm | 6 in

Length 584.2 mm | 23 in

Hole Size 3/4 in | 7/16 in

ZB-H8

Outline Drawing



Material Specifications

Material Type Hot dip galvanized steel

Mechanical Specifications

Wind Rating For Specifications, please contact your local ANDREW representative

Packaging and Weights

Included Z-bracket

Packaging quantity 1

Weight, net 2.4 kg | 5.291 lb

Regulatory Compliance/Certifications

Agency	Classification
CHINA-ROHS	Below maximum concentration value
ISO 9001:2015	Designed, manufactured and/or distributed under this quality management system
REACH-SVHC	Compliant as per SVHC revision on www.andrew.com/ProductCompliance
ROHS	Compliant

ZB-H8

UK-ROHS

Compliant



* Footnotes

Wind Rating

BWS—Base Wind Speed; FBC—Florida Building Code