

TC-1040-IP
 Rev A, Feb 2017
 www.commscope.com

Gel seals for the oval cable port of FOSC-400G family

Content

1 General product information

2 Kit content

3 Installation

- 3.1 General
- 3.2 FOSC-400G

1 General product information

This kit is used to install a looped cable of 6-15 mm in a new unused oval port of the FOSC-400G.

2 Kit content



FOSC-OSKG

Jacket and strength member securing kit for FOSC-400G

3 Installation

3.1 General

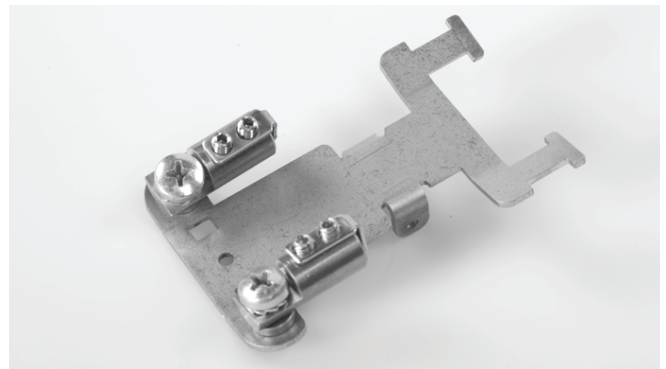
Thermoplastic gel seals	
Number of ports	Cable range (mm)
1	11-14
2	8-11
3	6,5-8
4	4-7
8	3-5
16	0-3
FOSC-OSKG	6-15

3.1.1 Open the port with a cutting wire. Make sure the edges are free of burrs.

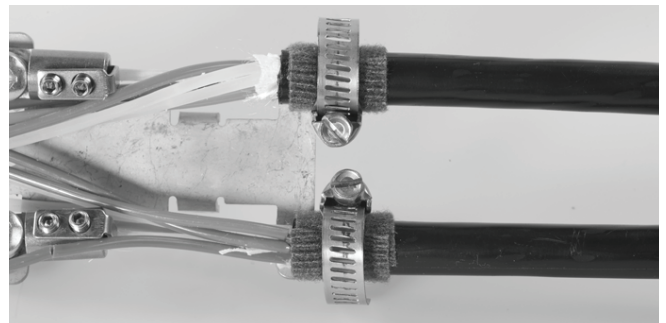
Prepare the loop cable as per standard practice.

3.2 Cable fixation in the FOSC-400G

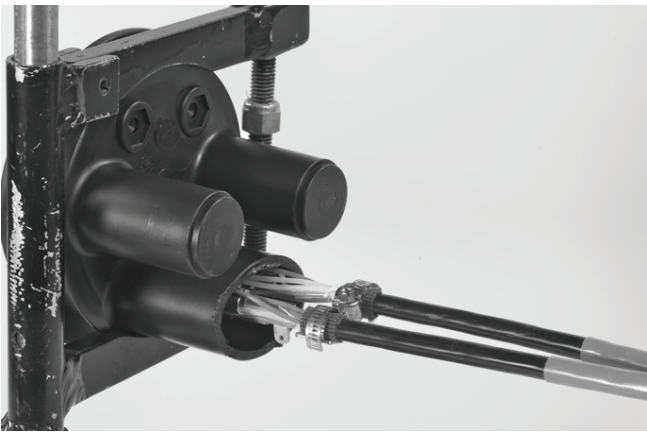
Remark: When uncut fibers are stored, the window cut needs to be extended with 500 mm.



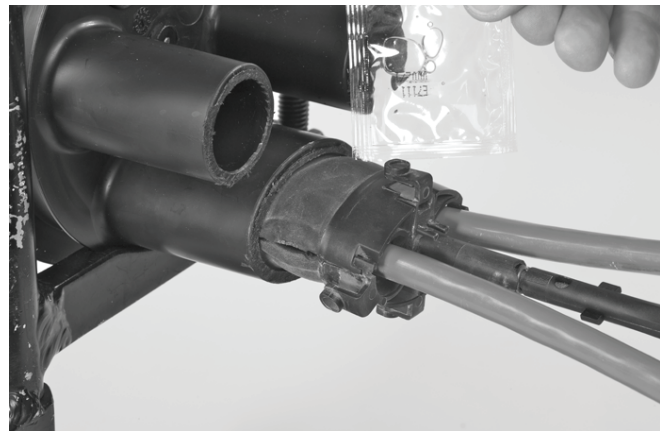
3.2.1 Fix the 2 strength member connectors to the metal cable holder as shown.



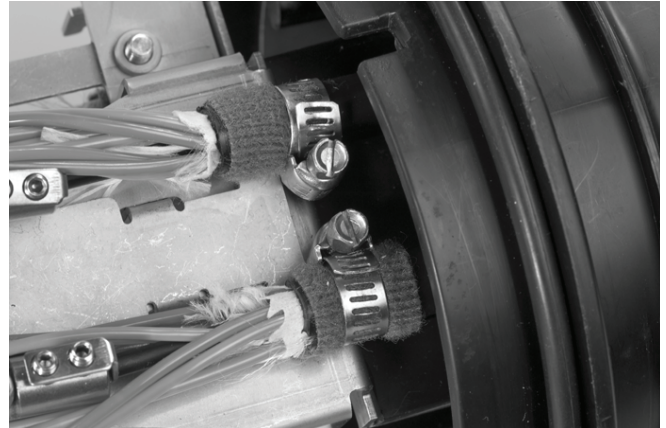
3.2.2 In case of cables with a soft cable jacket, wrap some foam at the end of the cable jacket. Install the strength members under the metal plates and secure the 2 screws. Make sure that the loose tubes are free to handle! Install the 2 hose clamps over the foam and tighten.



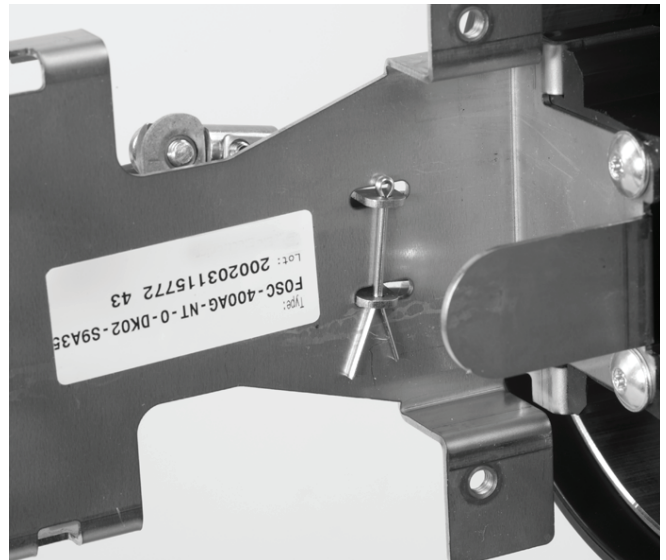
3.2.3 Feed the loop trough the oval port such that the hose clamps are ± 5 cm in the port.



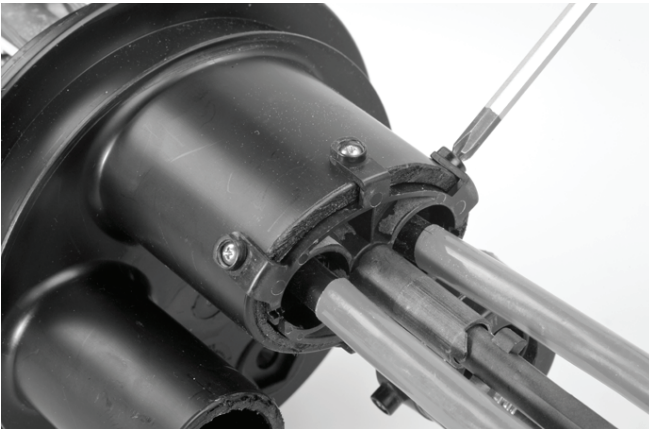
3.2.5 Lubricate the gel parts and insert the assembly.



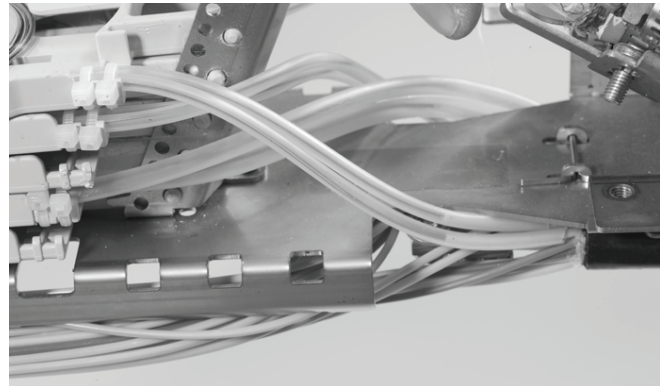
3.2.4 Take the first gel part (with trigger) and put the cables in place, if needed (when large cables) lubricate the cables. Take 2nd gel part and insert the pins in the corresponding holes at top and bottom. Push till snap fit (click).



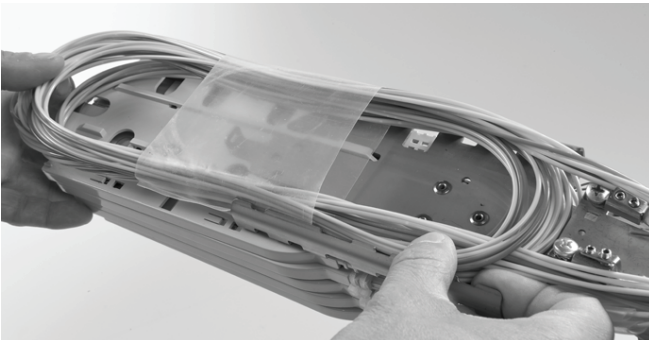
3.2.6 Move the assembly inwards and fix the metal bracket in the 2 corresponding slits, fix at the bottom side with the split pin.



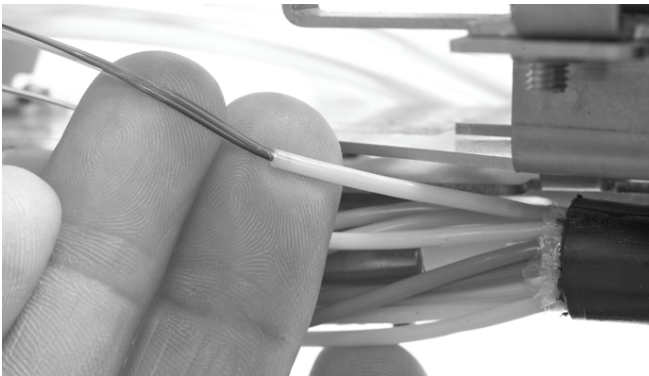
3.2.7 Make sure that the plastic hooks are flush with the edge of the port. Tighten the 4 screws; make sure that after tightening the hooks are even with the port base.



3.2.10 Determine the correct length of the transportation tube and fix with 2 tie-wraps to the tray. Knobs at the side! Avoid that the tube is passing the inner radius of the tray.



3.2.8 Take out the loose tube to be terminated and store the uncut loops in the plastic bag as shown.



3.2.9 Strip the loose tube at 50mm of the cable jacket.

To find out more about CommScope® products, visit us on the web at www.commscope.com

For technical assistance, customer service, or to report any missing/damaged parts, visit us at:
<http://www.commscope.com/SupportCenter>

© 2017 CommScope, Inc. All rights reserved.

FOSC and all trademarks identified by ® or ™ are registered trademarks or trademarks, respectively, of CommScope, Inc.

This document is for planning purposes only and is not intended to modify or supplement any specifications or warranties relating to CommScope products or services.

This product is covered by one or more U.S. patents or their foreign equivalents. For patents, see:
www.commscope.com/ProductPatent/ProductPatent.aspx.