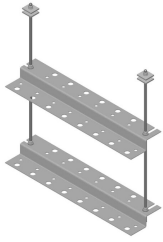


WB-TK24D



Trapeze Kit, 24 in wide, two rungs

Product Classification

Product Type Trapeze kit

General Specifications

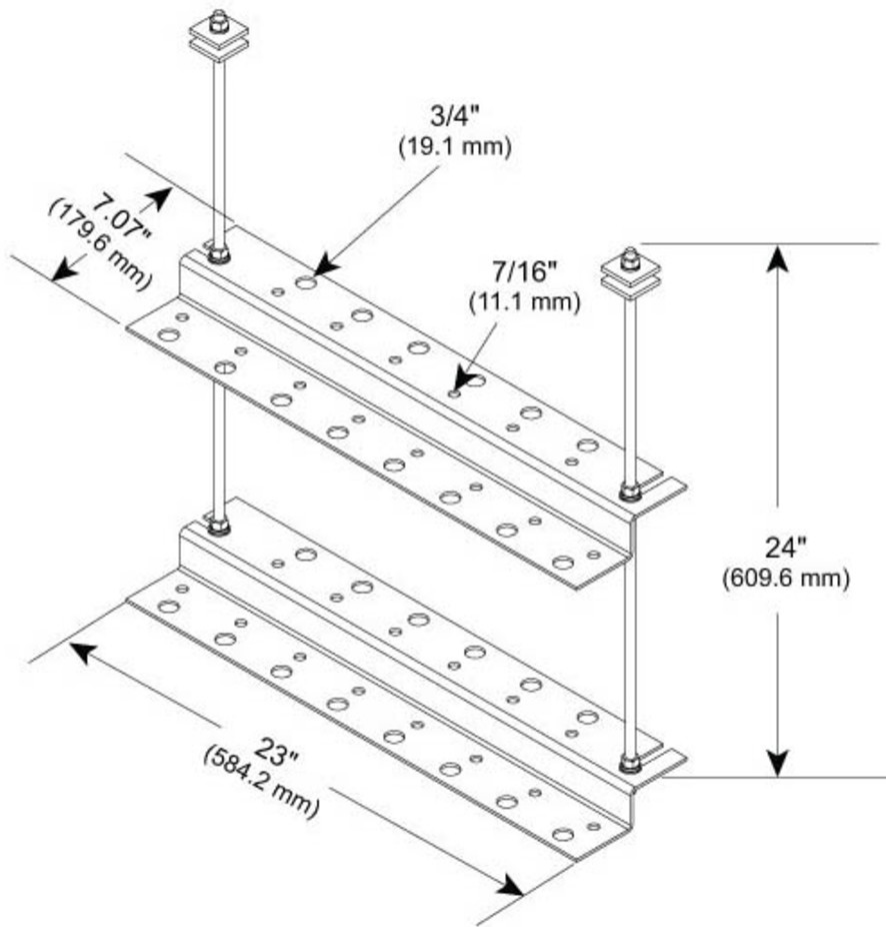
Application Waveguide bridge kit, 24 in
Cable Runs, quantity 28
Hole, quantity 24
Mounting Waveguide bridge channel
Rungs, quantity 1

Dimensions

Height 101.6 mm | 4 in
Width 609.6 mm | 24 in
Length 152.4 mm | 6 in
Hole Size 3/4 in | 7/16 in

WB-TK24D

Outline Drawing



Material Specifications

Material Type Hot dip galvanized steel

Packaging and Weights

Included Hardware | Threaded rod | Z-bracket

Packaging quantity 1

Weight, net 5.9 kg | 13.007 lb

Regulatory Compliance/Certifications

Agency **Classification**

WB-TK24D

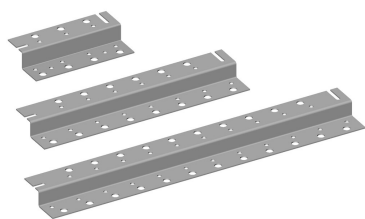
CHINA-ROHS	Below maximum concentration value
ISO 9001:2015	Designed, manufactured and/or distributed under this quality management system
REACH-SVHC	Compliant as per SVHC revision on www.commscope.com/ProductCompliance
ROHS	Compliant



Included Products

- ZB-H8 – Horizontal Z-bracket, 23 in, for 14 coaxial cable runs

ZB-H8



Horizontal Z-bracket, 23 in, for 14 coaxial cable runs

Product Classification

Product Type Bracket kit

General Specifications

Cable Runs, quantity 14

Hole, quantity 14

Mounting Walls

Dimensions

Height 50.8 mm | 2 in

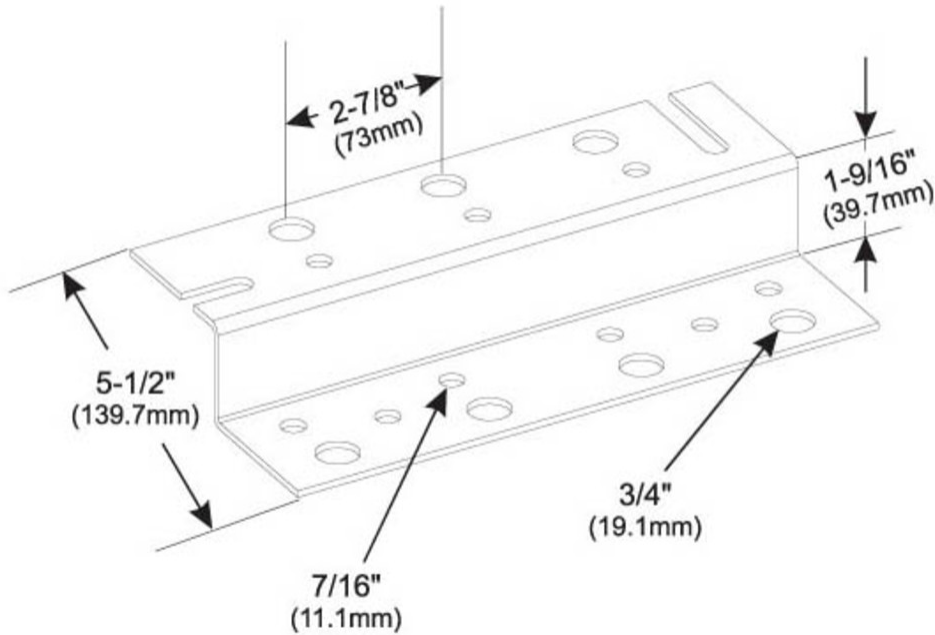
Width 152.4 mm | 6 in

Length 584.2 mm | 23 in

Hole Size 3/4 in | 7/16 in

ZB-H8

Outline Drawing



Material Specifications

Material Type Hot dip galvanized steel

Mechanical Specifications

Wind Rating For Specifications, please contact steelproducts@commscope.com or call 800-255-1479

Packaging and Weights

Included Z-bracket

Packaging quantity 1

Weight, net 2.4 kg | 5.291 lb

Regulatory Compliance/Certifications

Agency

CHINA-ROHS

ISO 9001:2015

REACH-SVHC

ROHS

Classification

Below maximum concentration value

Designed, manufactured and/or distributed under this quality management system

Compliant as per SVHC revision on www.commscope.com/ProductCompliance

Compliant

ZB-H8



* Footnotes

Wind Rating

BWS—Base Wind Speed; FBC—Florida Building Code