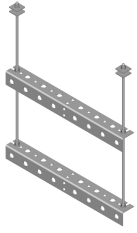


WB-TD24



Trapeze Kit, 24 in wide, two rungs

Product Classification

Product Type Trapeze kit

General Specifications

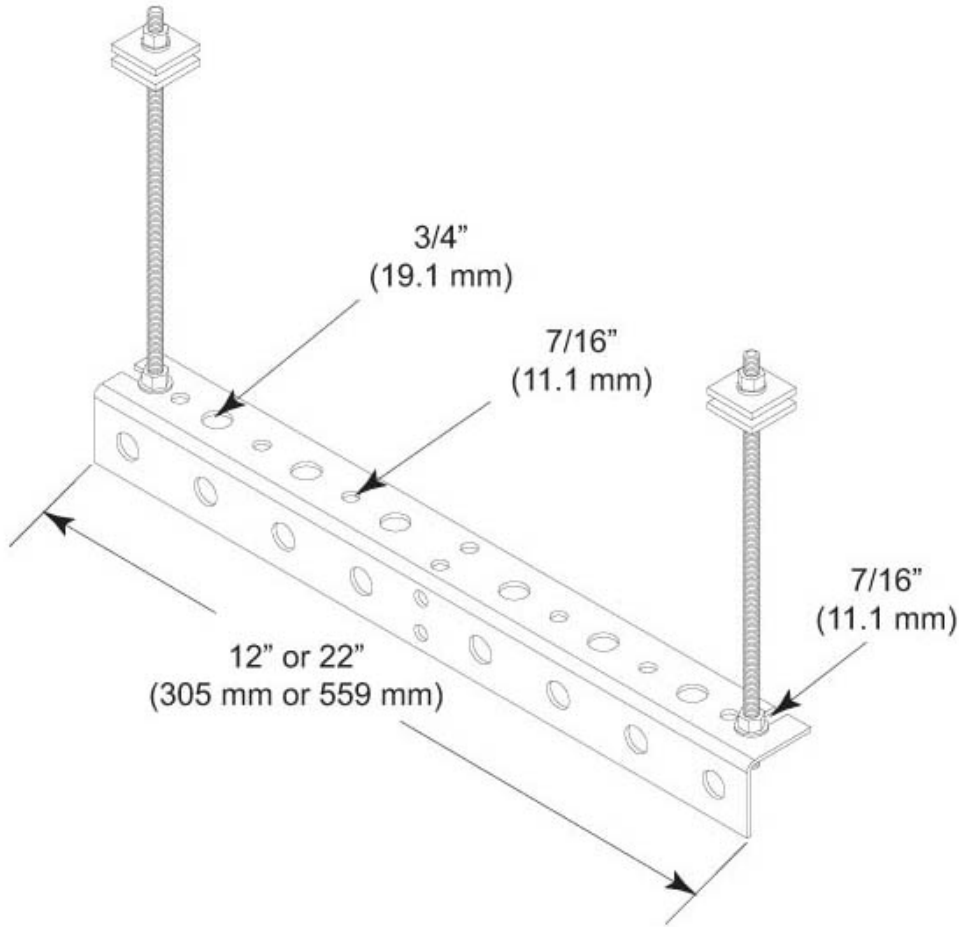
Application Waveguide bridge kit, 24 in
Cable Runs, quantity 12
Hole, quantity 12
Mounting Waveguide bridge channel
Rungs, quantity 2

Dimensions

Height 101.6 mm | 4 in
Width 609.6 mm | 24 in
Length 152.4 mm | 6 in
Hole Size 3/4 in | 7/16 in

WB-TD24

Outline Drawing



Material Specifications

Material Type Hot dip galvanized steel

Packaging and Weights

Included Angle brackets | Hardware | Threaded rod

Packaging quantity 1

Weight, net 3.5 kg | 7.716 lb

Regulatory Compliance/Certifications

Agency **Classification**

WB-TD24

CHINA-ROHS	Above maximum concentration value
ISO 9001:2015	Designed, manufactured and/or distributed under this quality management system
ROHS	Compliant/Exempted
UK-ROHS	Compliant/Exempted

