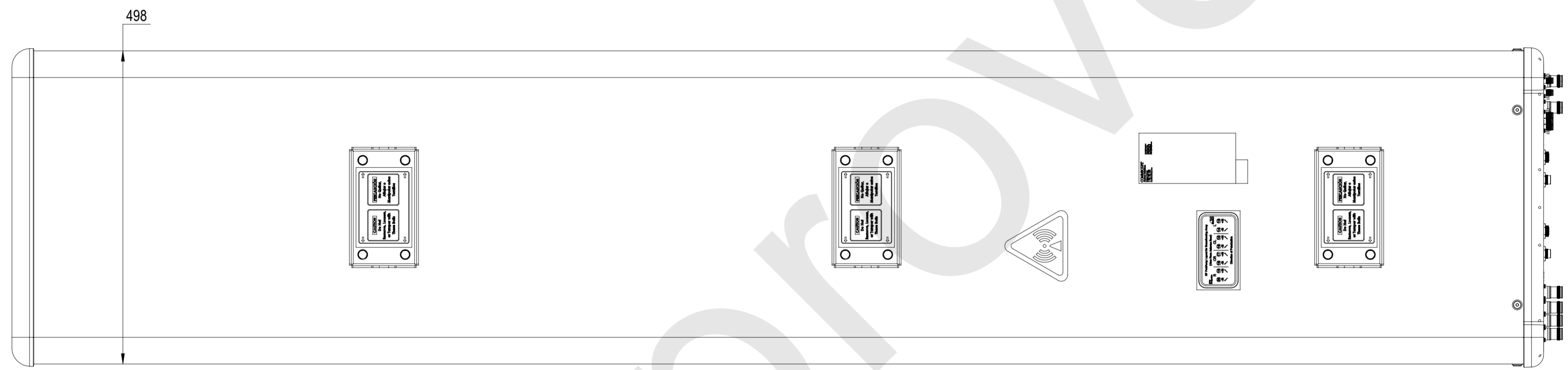
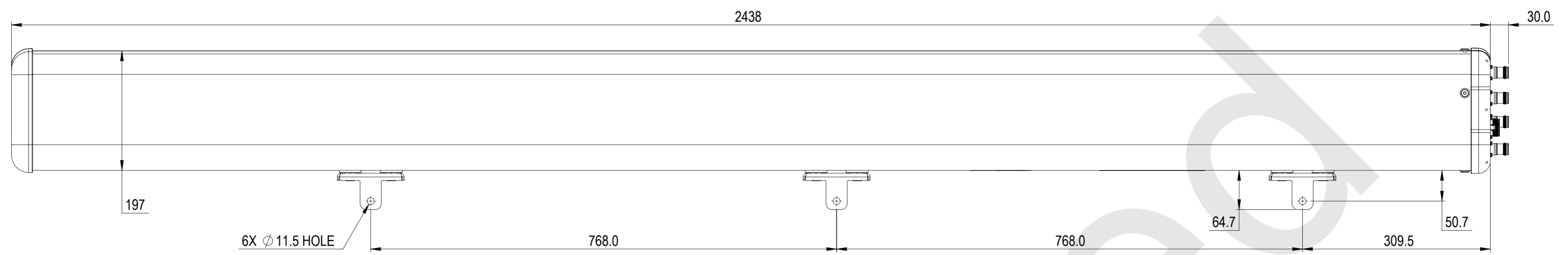
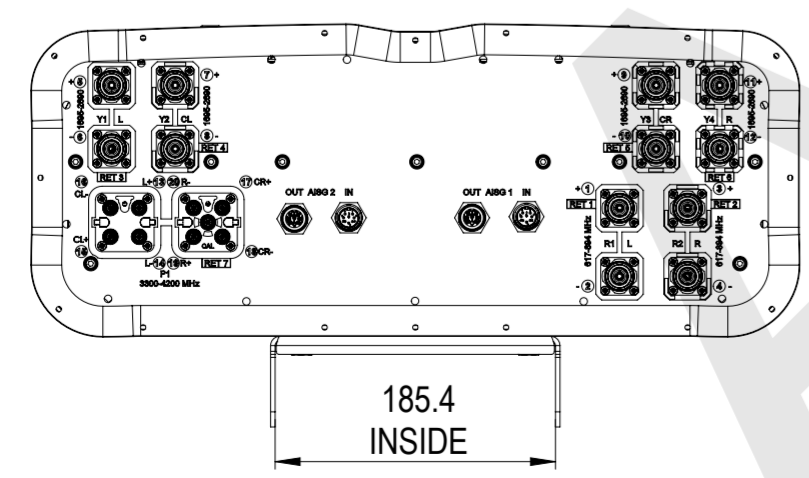


REVISIONS			
REV.	DESCRIPTION	DATE	APPROVED
A	ECR 10027PC: RELEASE TO PRODUCTION PER EAO 608732.	26APR21 YD	LZL / SGY



FFV4S4-65C-R7



185.4
INSIDE
VIEW A-A
SCALE 1 : 5

DENSITY	g/mm ³
MASS	grams
VOLUME	mm ³
SURFACE AREA	mm ²
HEIGHT	
LENGTH	
WIDTH	

COMMSCOPE, INC. OF NORTH CAROLINA

TOLERANCES		SAP MATERIAL MASTER	
0 PLACE	X ±	2 PLACE	.XX ±
1 PLACE	.X ±	ANGLES	±
FINISH		MATERIAL	
<small>UNLESS OTHERWISE SPECIFIED DIMENSIONS ARE IN MILLIMETERS INTERPRET PER ISO STANDARDS HANDBOOK TECHNICAL DRAWINGS VOLUMES 1 & 2, THIRD EDITION (2002)</small>		NAME	DATE
		CE YD	26APR21
		RW YD1013	04/26/2021
		AD ZL1025	04/26/2021
		RE	
ECN 10027PC		SCALE	DOCUMENT NO.
		1:5	FFV4S4-65C-R7-L
SIZE	Auth Group	BSA	MODEL
A2			VERSION STATUS REVISION
			00 RE A
		DRAWING	
		VERSION STATUS REVISION	00 AD A
			SHEET
			1 OF 1