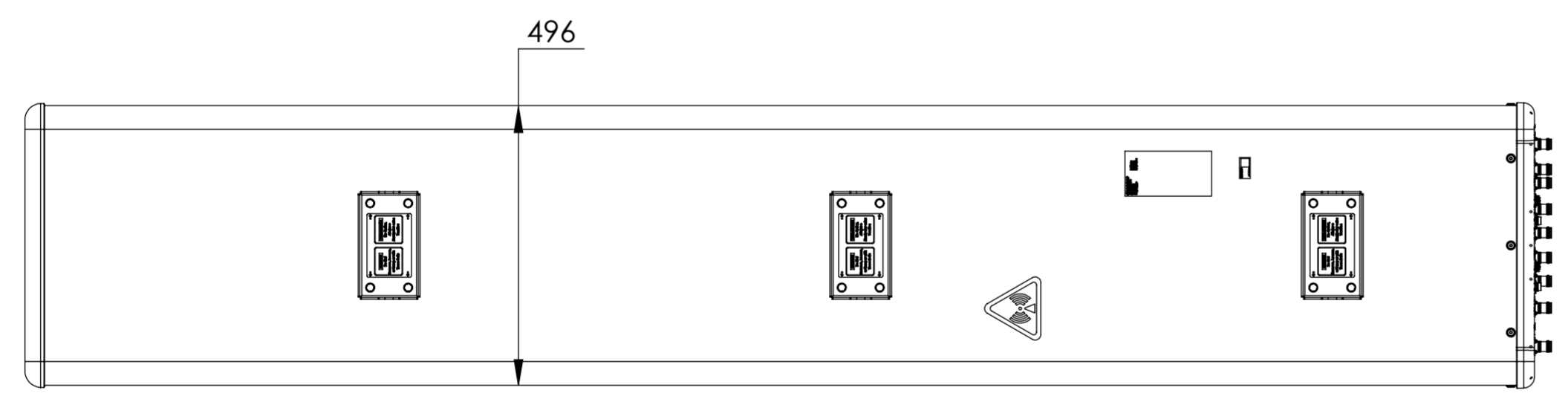
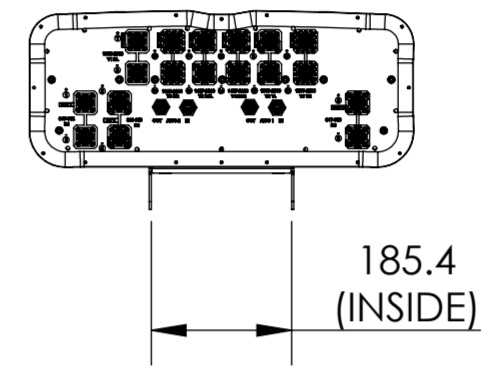
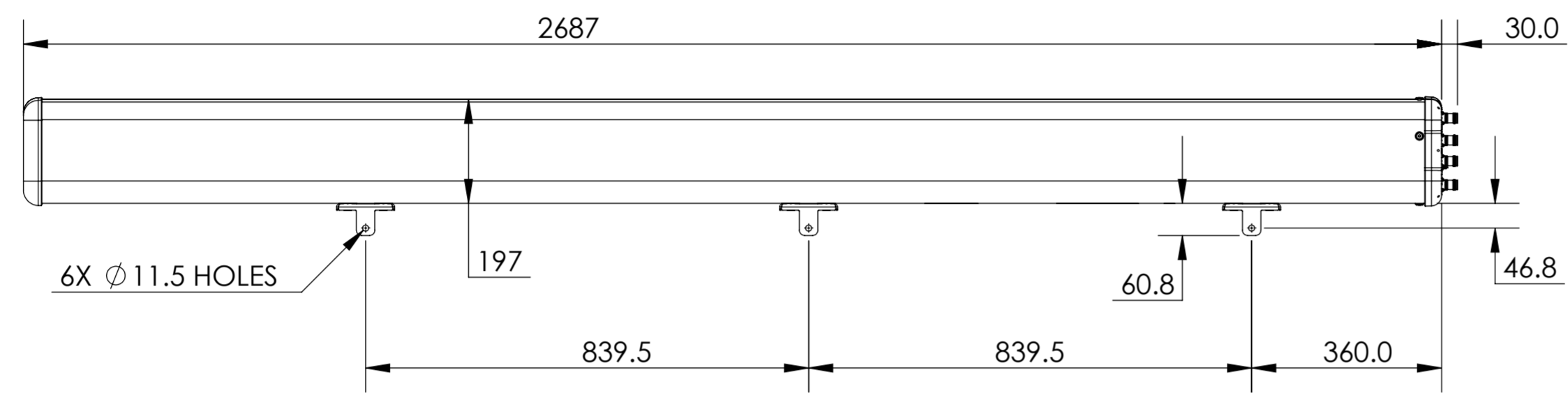


REVISIONS			
REV.	DESCRIPTION	DATE	APPROVED
A	ECR 8000044020: REL TO PRODUCTION PER EAO 608905.	19JAN21 DXJ	HF.QIN/JIANP.LU



KKZZV4-65D-R8

COMMSCOPE, INC. OF NORTH CAROLINA										
TOLERANCES					SAP MATERIAL MASTER					
0 PLACE X ±		2 PLACE .XX ±								
1 PLACE .X ±		ANGLES ±								
FINISH					MATERIAL					
UNLESS OTHERWISE SPECIFIED DIMENSIONS ARE IN MILLIMETERS INTERPRET PER ISO STANDARDS HANDBOOK TECHNICAL DRAWINGS VOLUMES 1 & 2, THIRD EDITION (2002)	NAME	DATE	TITLE							
	CE	XD1008	19JAN21	PRODUCT DRAWING						
	RW									
	RV									
	AD									
RE										
ECN			SCALE	DOCUMENT NO.						
			1:10	KKZZV4-65D-R8-L						
SIZE	WORK AREA	MODEL			DRAWING			SHEET		
A2		VERSION	STATUS	REVISION	VERSION	STATUS	REVISION	1 OF 1		

DENSITY	g/mm ³
MASS	grams
VOLUME	mm ³
SURFACE AREA	mm ²
HEIGHT	
LENGTH	
WIDTH	

© 2021 CommScope, Inc.