

FACT FRAME

INSTALLATION INSTRUCTION: Cable To Flex Conversion Bracket

COMMSCOPE®

FACT FRAME CABLE TO FLEX CONVERSION BRACKET

Contents

1.	General product information	2	6.	Cable Termination	7
2.	Warnings and caution	2	7.	CTU Mounting.....	8
3.	Kit Content	3	8.	Trade-marks	12
4.	Determine Cable Entry.....	4	9.	Contact Information.....	12
5.	Cable Preparation.....	5			

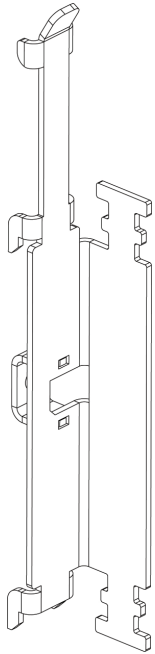
1. General product information

The FACT cable to flex conversion kit (CTF) includes one conversion bracket with the smaller components required for terminating one cable to one flex on the cable attachment plate.

2. Warnings and caution

- Fiber optic cables may be damaged if bent or curved to a radius that is less than the recommended minimum bend radius. Always observe the recommended bend radius limit when installing fiber optic cables and patch cords.
- Exposure to laser radiation can seriously damage the retina of the eye. Do not look into the ends of any optical fiber. Do not assume the laser power is turned off or that the fiber is disconnected at the other end.

3. Kit Content



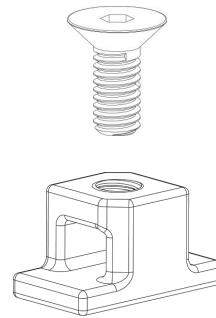
1x Fanout Bracket



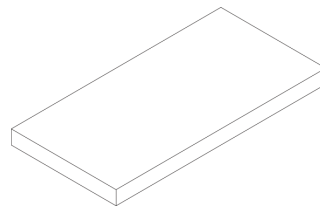
4x Cable Tie



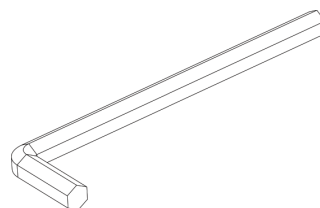
1x Hose Clamp



1x SM Holder + Bolt

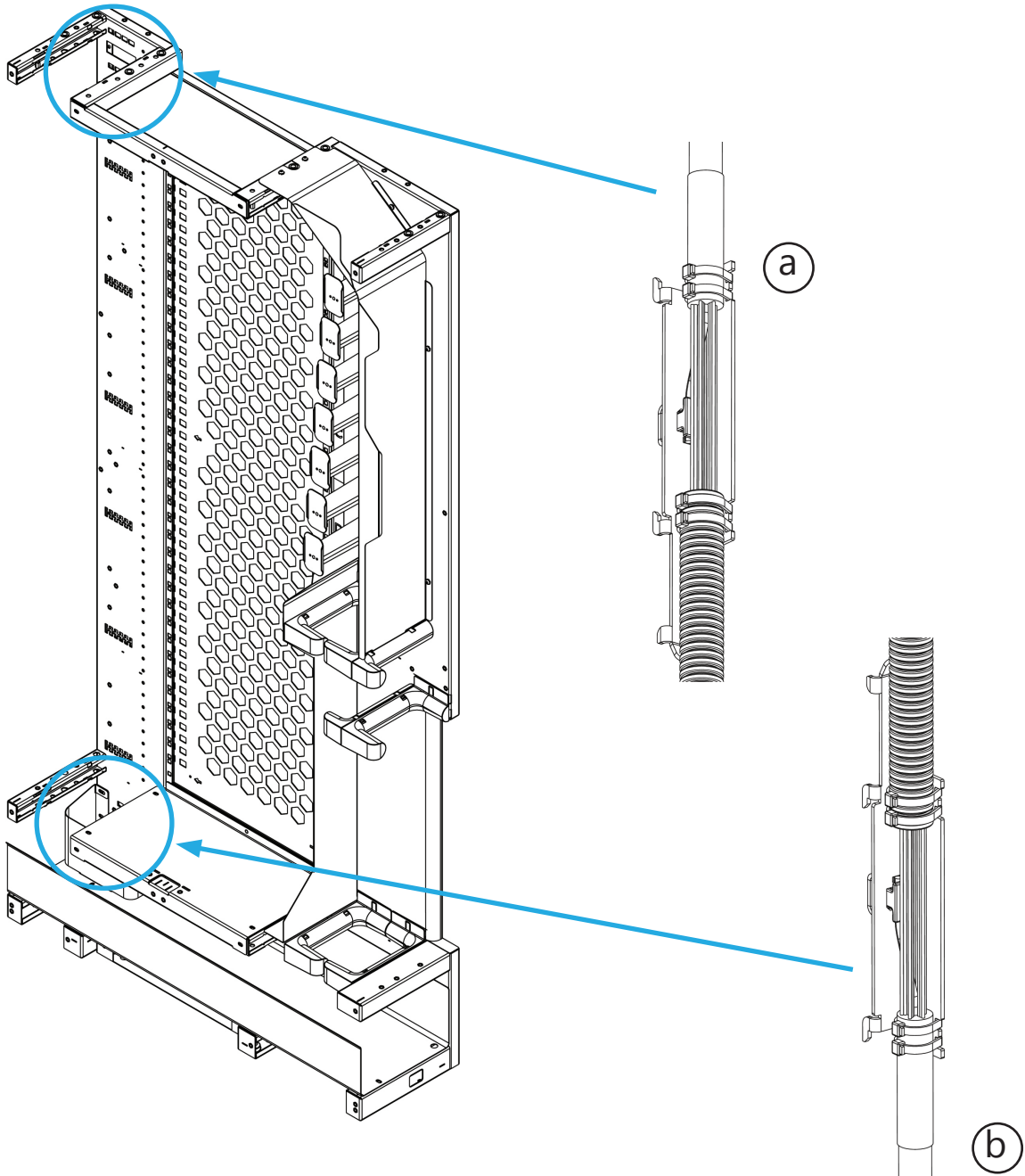


2x Foam



1x Allen key

4. Determine Cable Entry - Step 1



Step 1:

Determine the configuration: top or bottom entry.

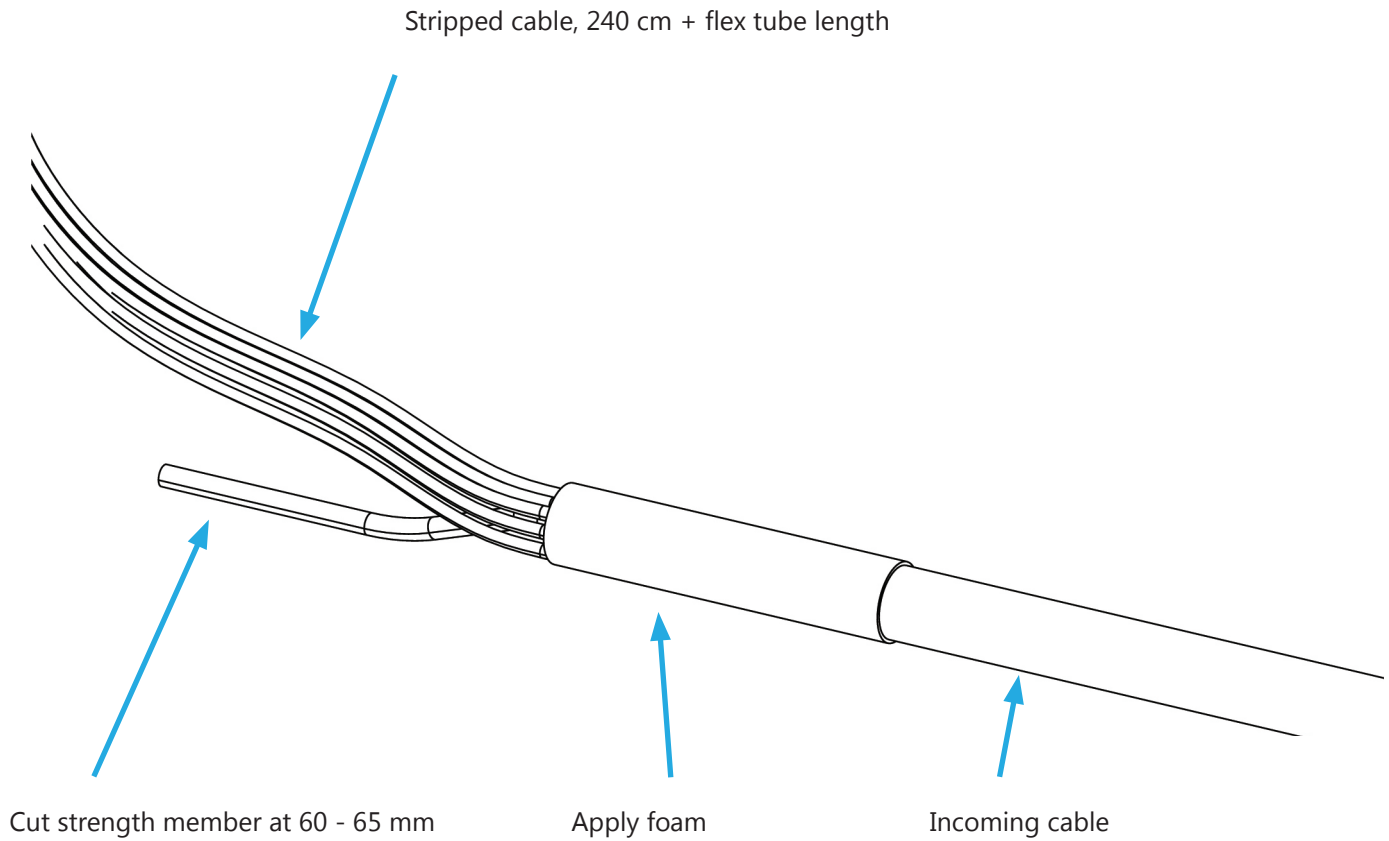
For top entry (a), the incoming cable enters at the top and the flex tube leaves at the bottom of the metal CTU.

For

bottom entry (b), the incoming cable enters at the bottom and the flex tube leaves at the top of the metal CTU.

* This example shows a RHP Cross Connect Frame.

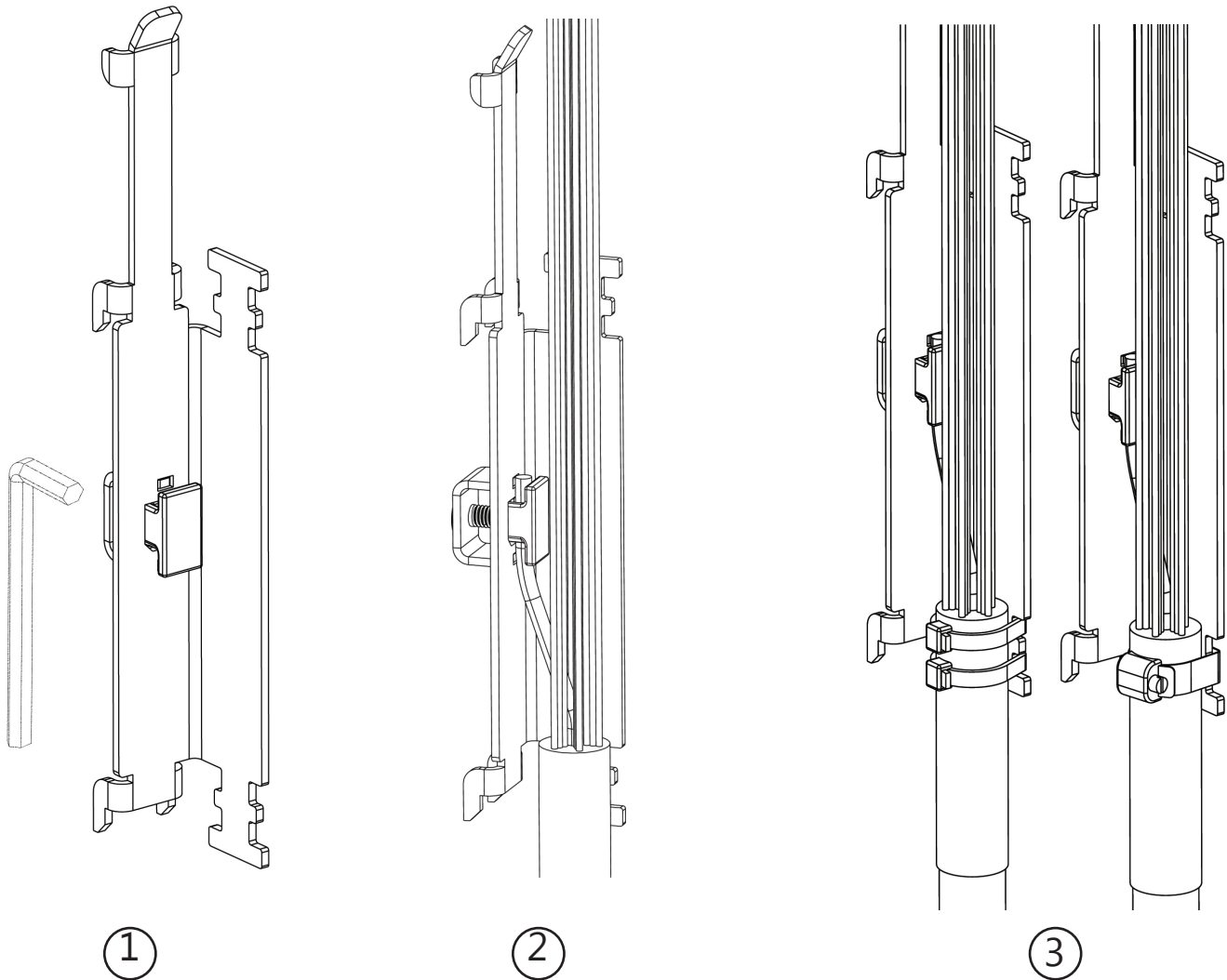
5. Cable Preparation - Step 2



Step 2:

Strip the incoming cable, cut the strength member at 60 - 65 mm, apply the foam and make sure that you have 240 cm + flex tube length of stripped cable left.

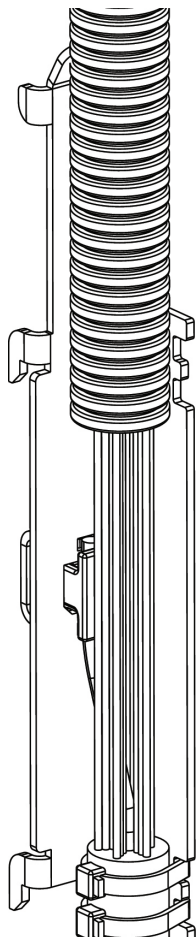
5. Cable Preparation - Step 3



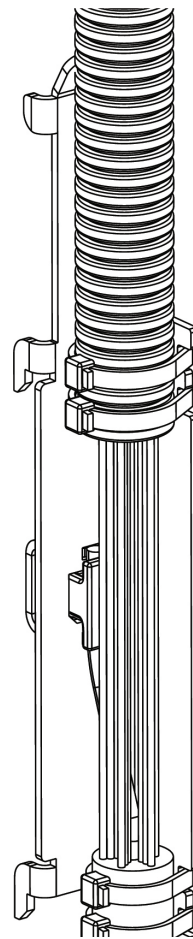
Step 3 (bottom entry as example):

- 1) Loosen the strength member holder screw on the backside of the metal CTU.
- 2) Align the prepared cable on the metal CTU, position the SM in the holder and tighten the screw.
- 3) Apply two cable ties to secure the cable. / A hose clamp can be used as an alternative.

6. Cable Termination - Step 4



①

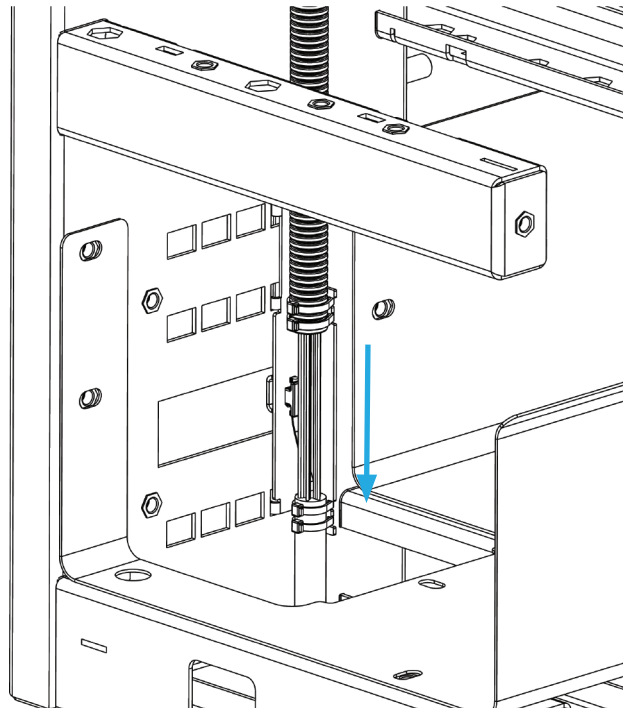
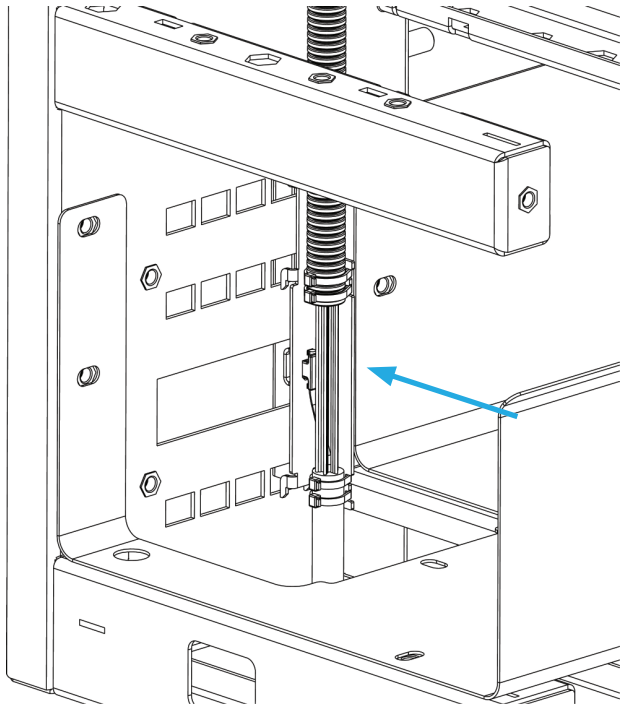


②

Step 4:

- 1) Feed the tubes through the flex tube. Position the flex tube on the metal CTU.
- 2) Apply two cable ties to secure the flex tube.

7. CTU Mounting - Step 5



Step 5:

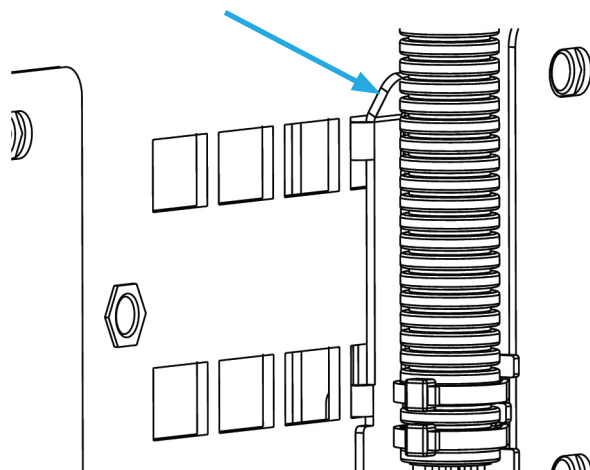
To mount the metal CTU in the frame, align it in the openings and slide it down. You should feel and hear a “click” once the CTU is mounted securely.

Repeat this for all CTU’s to be mounted.

* This example shows a bottom entry.

CTU Removal:

To remove the metal CTU, bend the lip forward, to unlock. Holding the lip forward, slide the CTU upwards and lift it out of the openings.



8. Trade-marks:

All trademarks identified by ® or ™ are registered trademarks or trademarks, respectively, of CommScope, Inc. This document is for planning purposes only and is not intended to modify or supplement any specifications or warranties relating to CommScope products or services. CommScope is committed to the highest standards of business integrity and environmental sustainability, with a number of CommScope's facilities across the globe certified in accordance with international standards, including ISO9001, TL 9000, and ISO 14001. Further information regarding CommScope's commitment can be found at:
www.commscope.com/About-Us/Corporate-Responsibilityand-Sustainability.

9. Contact Information:

Visit our website or contact your local CommScope representative for more information.

For technical assistance, customer service, or to report any missing/damaged parts, visit us at:

<http://www.commscope.com/SupportCenter>

This product is covered by one or more U.S. patents or their foreign equivalents. For patents, see www.commscope.com/ProductPatent/ProductPatent.aspx

© 2019 Commscope,
Inc. All Rights Reserved