



FACT FRAME

INSTALLATION INSTRUCTION: Inter Connect Door Kit

COMMScope®

FACT FRAME INTER CONNECT DOOR KIT

Contents

1.	General product information	2	5.	Mounting Grounding Springs	6
2.	Warnings and caution	2	6.	Mounting Doors	7
3.	Kit content	3	7.	Trade-marks	12
4.	Mounting Door Supports	4	8.	Contact Information	12

1. General product information

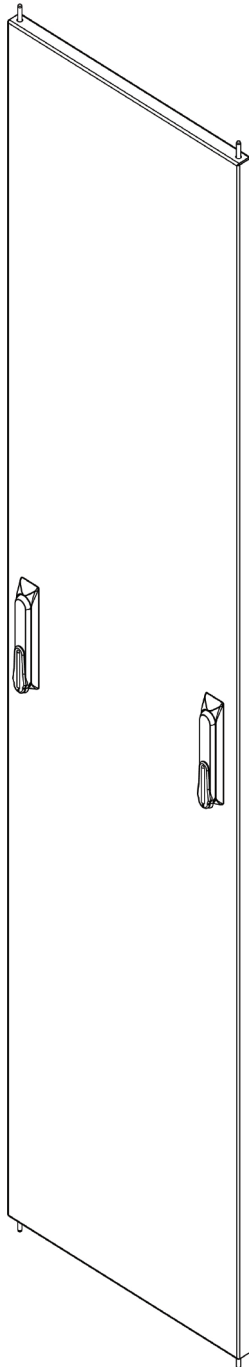
The FACT inter connect door kit includes the two doors required for one inter connect frame.

The doors are easy to install and to remove from the frame for optimal access to the FACT chassis.

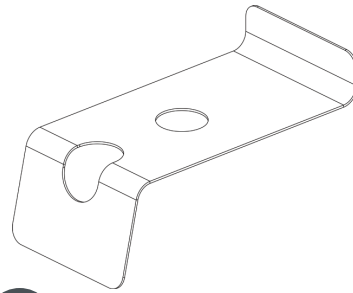
2. Warnings and caution

- Fiber optic cables may be damaged if bent or curved to a radius that is less than the recommended minimum bend radius. Always observe the recommended bend radius limit when installing fiber optic cables and patch cords.
- Exposure to laser radiation can seriously damage the retina of the eye. Do not look into the ends of any optical fiber. Do not assume the laser power is turned off or that the fiber is disconnected at the other end.

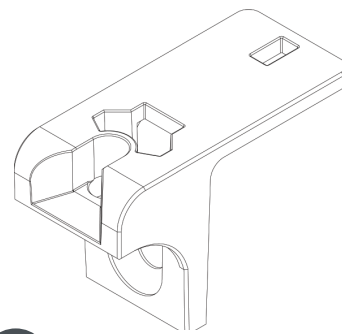
3. Kit content



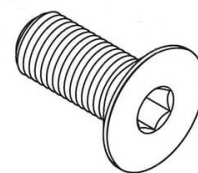
2x Door IC



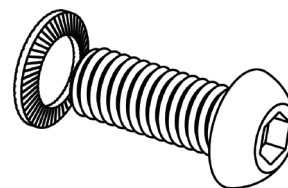
2x Door Grounding Spring



8x Door Support

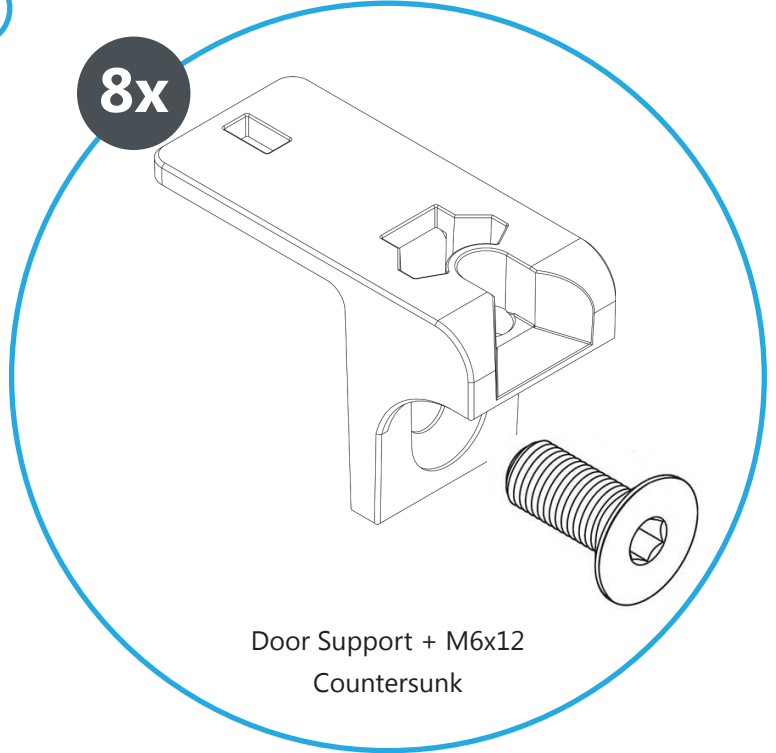
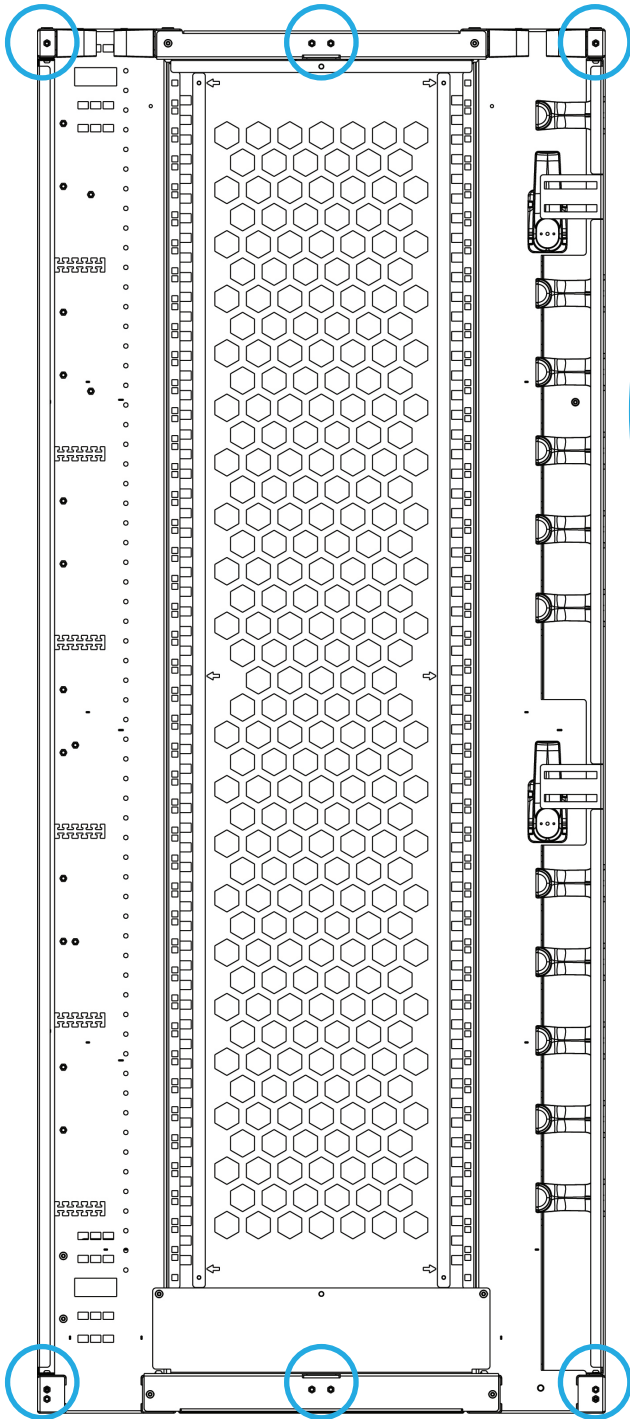


8x M6x12 Countersunk



2x M6 Bolt + Washer

4. Mounting Door Supports - Step 1

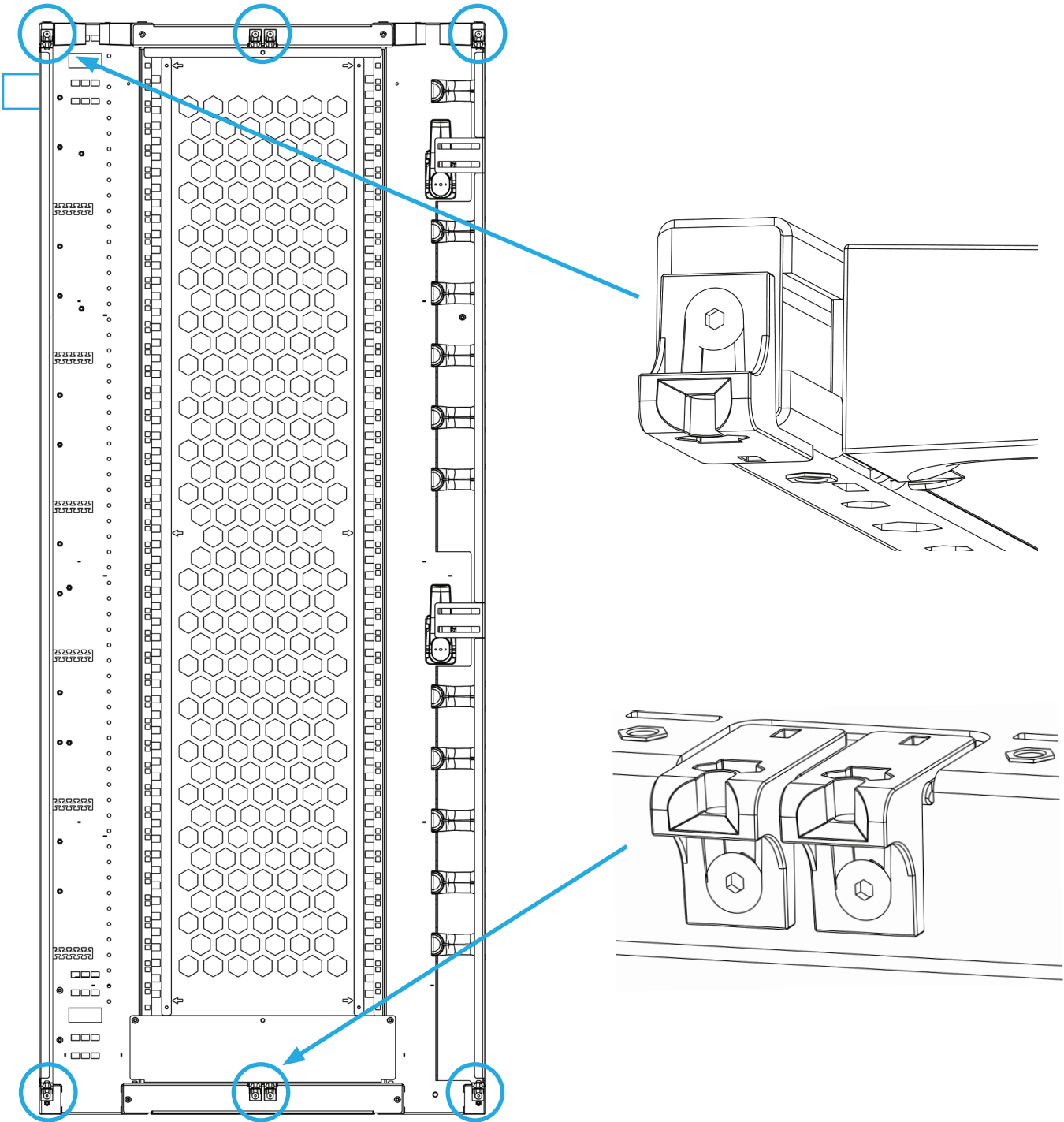


Door Support + M6x12
Countersunk

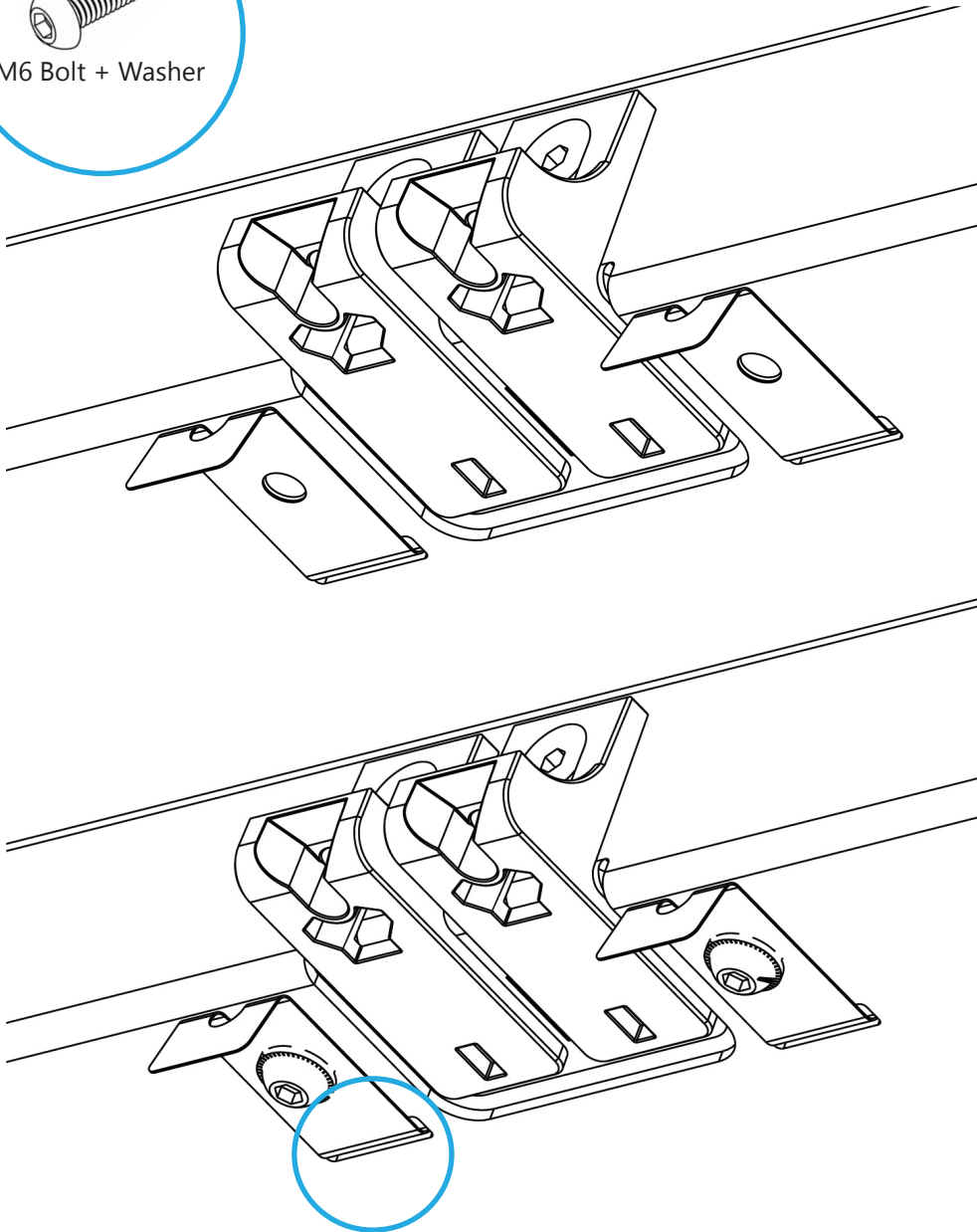
Step 1:

8 Door supports + M6 bolts are needed (4 per door). Mount these at the circled areas.

4. Mounting Door Supports - Step 1



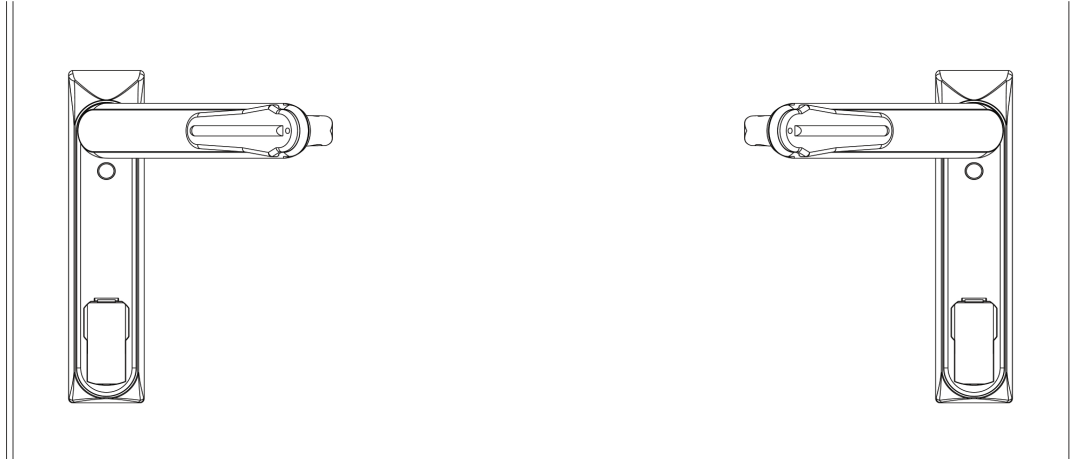
5. Mounting Grounding Springs - Step 2



Step 2:

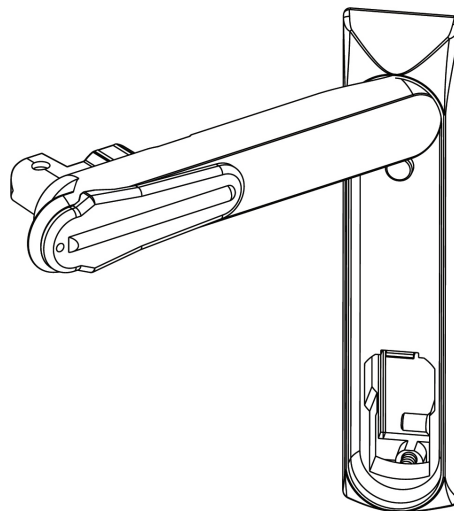
Mount the grounding springs at the top/middle of the frame.
Mount one spring per door. Use 2x M6 bolts + washers for this. Use the alignment features (circled) to position the spring in the right position.

6. Mounting Doors - Step 3

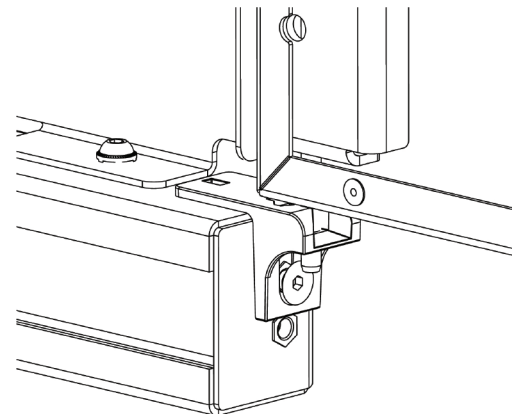
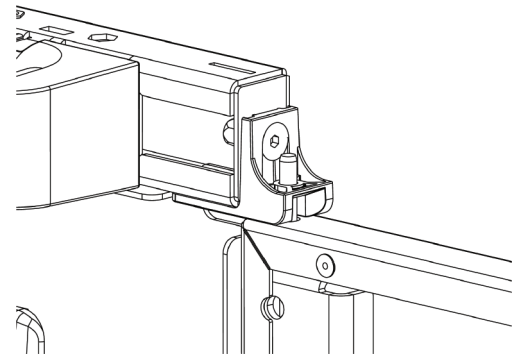
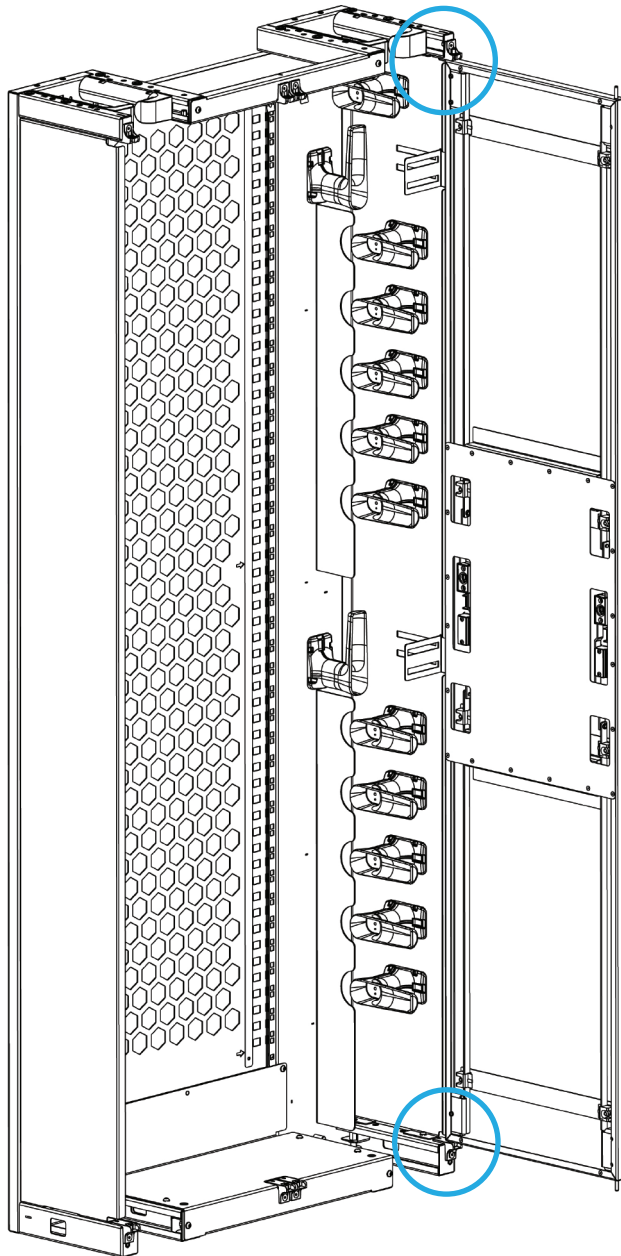


Step 3a:

Rotate the handles inwards (90°). The handles can be used to lift and align the door in the door supports.



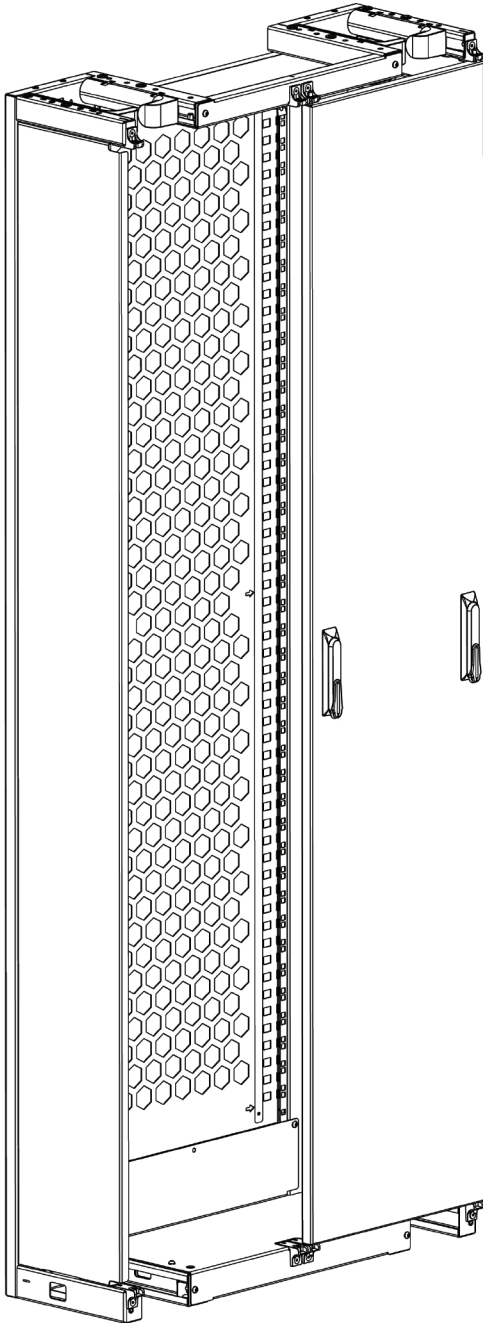
6. Mounting Doors - Step 3



Step 3b:

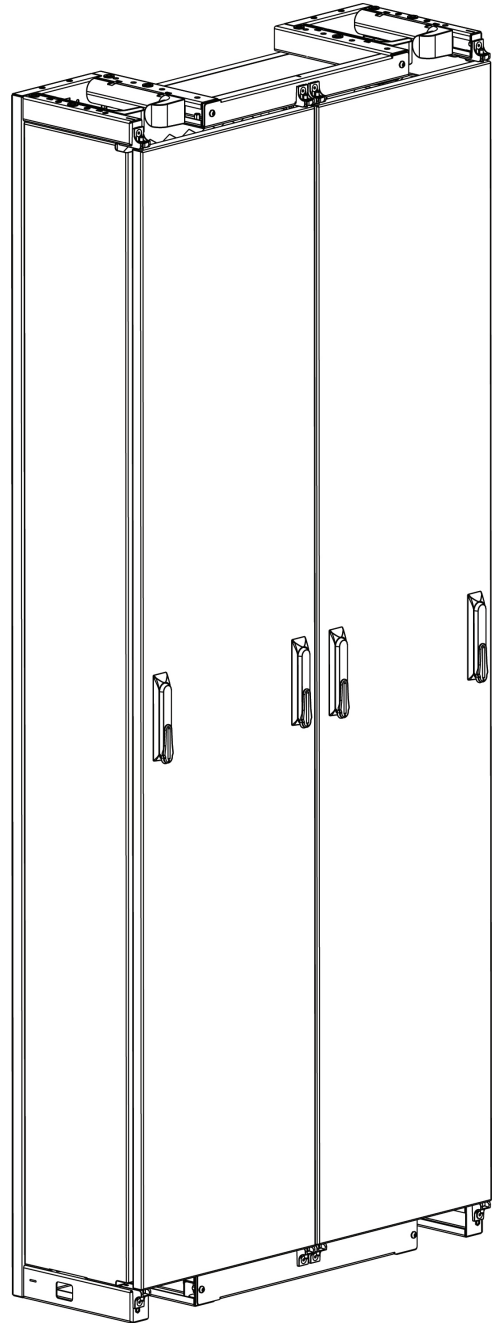
Align the locking pins in the door support at the bottom and top, on one side of the door. Rotate the handle (of the side that is aligned with the door supports) back to its original position (90° down). The pins should lock into the holes.

6. Mounting Doors - Step 3



Step 3c:

Close the door. Rotate the other handle to its original position (90° down). The door should be fully locked now.



Step 3d:

Repeat step 3a- 3c for the second door.

7. Trade-marks:

All trademarks identified by ® or ™ are registered trademarks or trademarks, respectively, of CommScope, Inc. This document is for planning purposes only and is not intended to modify or supplement any specifications or warranties relating to CommScope products or services. CommScope is committed to the highest standards of business integrity and environmental sustainability, with a number of CommScope's facilities across the globe certified in accordance with international standards, including ISO9001, TL 9000, and ISO 14001. Further information regarding CommScope's commitment can be found at:

www.commscope.com/About-Us/Corporate-Responsibilityand-Sustainability.

8. Contact Information:

Visit our website or contact your local CommScope representative for more information.

For technical assistance, customer service, or to report any missing/damaged parts, visit us at:

<http://www.commscope.com/SupportCenter>

This product is covered by one or more U.S. patents or their foreign equivalents. For patents, see

www.commscope.com/ProductPatent/ProductPatent.aspx

© 2019 Commscope,
Inc. All Rights Reserved