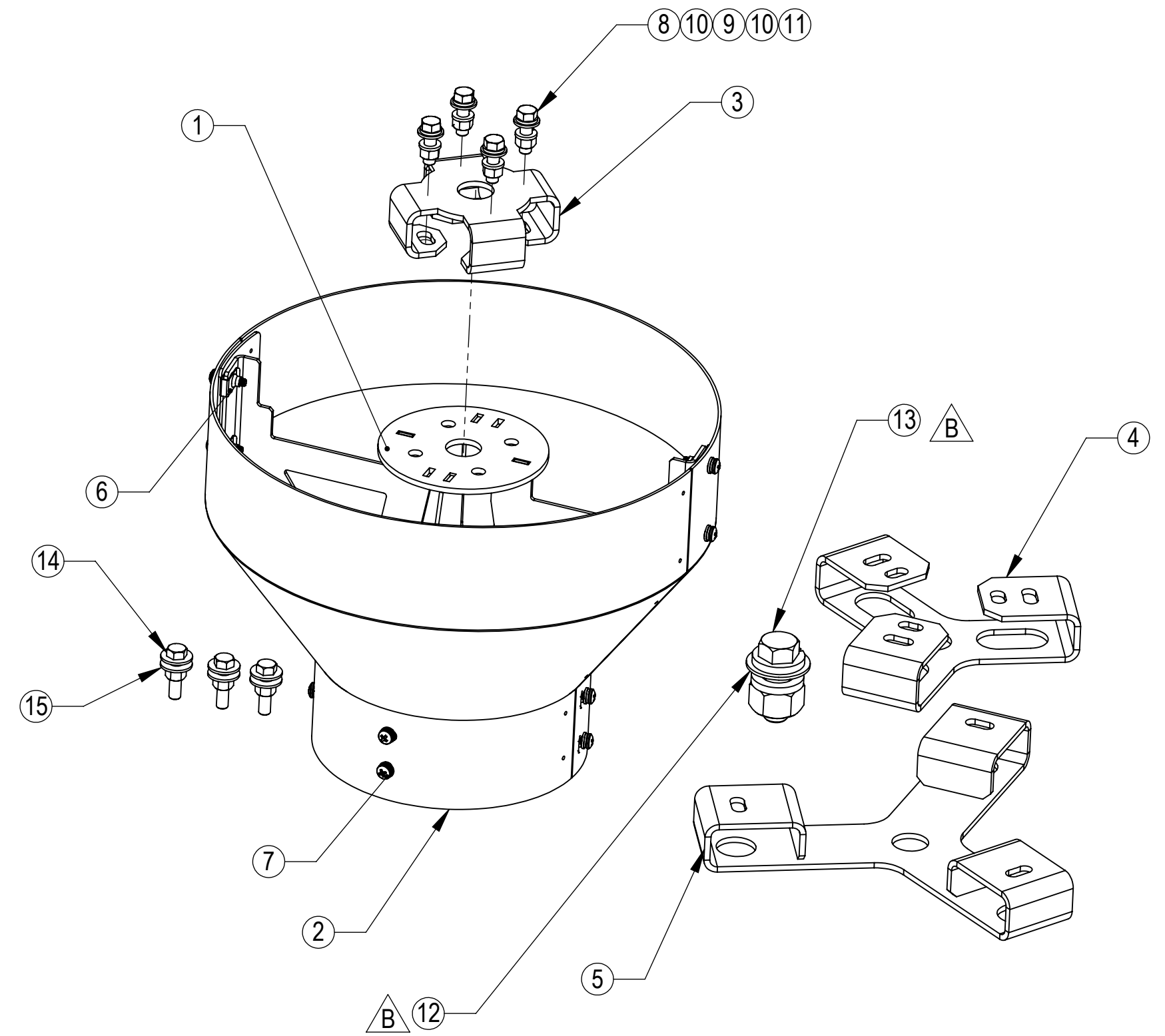
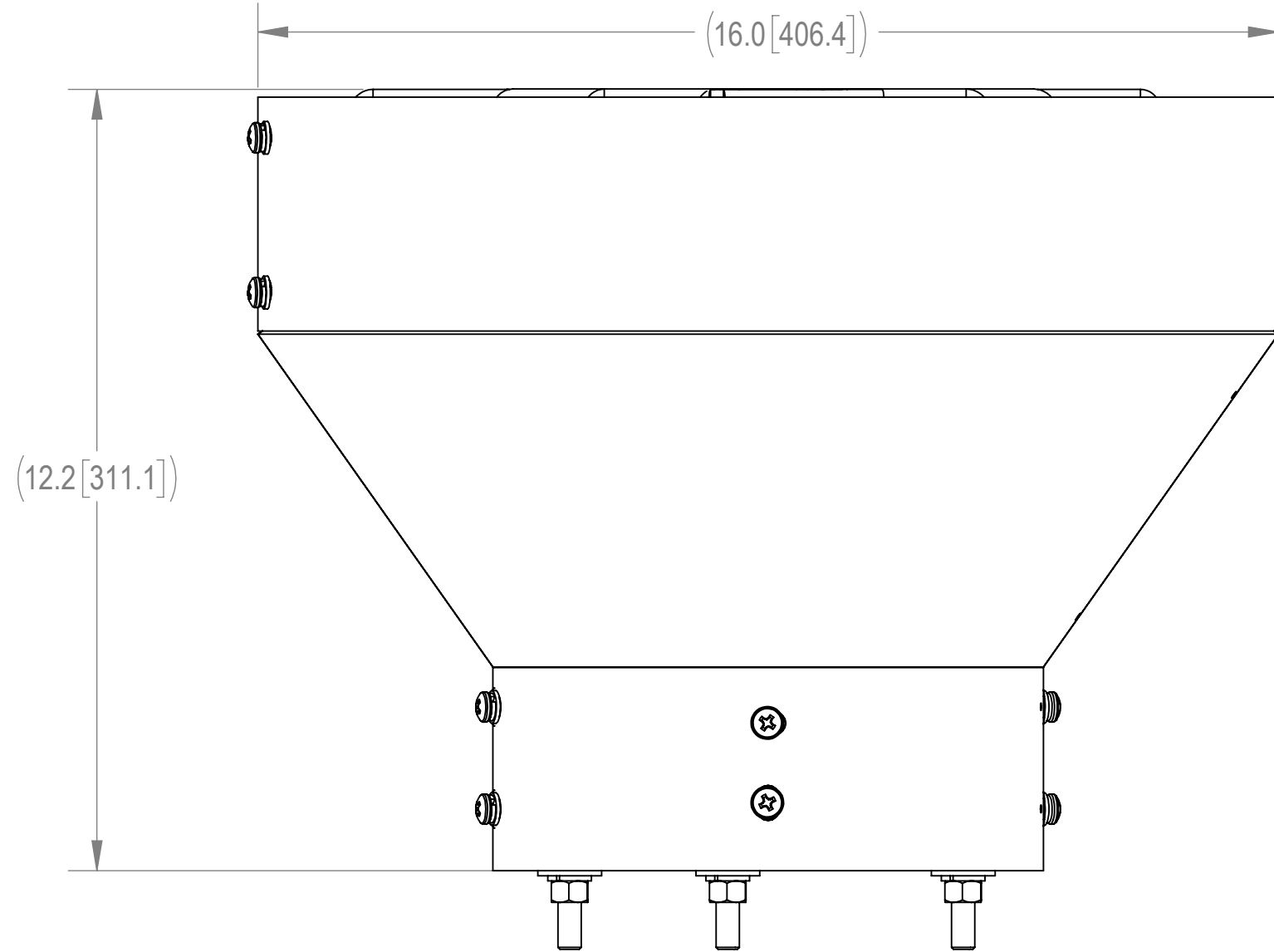


- 1. GENERAL NOTES
 - 1.1 ALL METRIC DIMENSIONS ARE IN BRACKETS
 - 1.2 FEATURES CRITICAL TO QUALITY ARE INDICATED IN ROUNDED BOX (X.X)
- 2. DESIGN NOTES
- 3. MANUFACTURING/SPECIAL REQUIREMENT
 - 3.1 THE FINISHED ITEM IS A SERIES ASSEMBLY. A -XX FINISH SUFFIX REPRESENTS SPECIFIC COLOR/FINISH. REFER TO METROCELL DOCUMENT MTM1004 FOR SPECIFIC REQUIREMENTS
- 4. TEST
- 5. PACKAGING
 - 5.1 WRAP THE ASSEMBLY WITH PROTECTIVE FOAM AND PACKAGE IN BOX. ANY SUITABLE SIZE BOX CAN BE USED FOR PACKAGING.
 - 5.2 NEED NOT BE ASSEMBLED. TO BE INDIVIDUALLY WRAPPED IN PROTECTIVE FOAM
 - 5.3 PACKAGE IN POLYBAG
 - 5.4 PRINTED DOCUMENT TO BE INCLUDED INSIDE THE SHIPPING BOX

REVISIONS				
REV.	ECN	DESCRIPTION	BY	DATE
A	8000035363	INITIAL RELEASE	JP1130	05/02/2019
B	8000039930	REPLACED ITEM 13 AND 14	BL1053	3/19/2020



ITEM	PART NO.	DESCRIPTION	QTY.	NOTE NO.
1	MTM1074-1100	WELDMENT, 16" KATH ANT MNT	1	5.1
2	MTM100544-xx	WELDMENT, TRANSITION COVER, 16" OD ANTENNA SERIES	2	5.1
3	MTM1074-1201	ADAPTER BRACKET KATHREIN	1	5.1
4	MTM1074-1202	ADAPTER BRACKET AMPHENOL	1	5.2
5	MTM1074-1203	ADAPTER BRACKET JMA	1	5.2
6	460143456	CLIP NUT, M6, 316 SST	12	5.1
7	100117-4	FA,SEMS,PH,XRES,M6X25,SST,PASS	12	5.1
8	SB-0312	3/8" X 1-1/4" SS BOLT	4	5.1
9	SWF-03	3/8" SS FLAT WASHER	4	5.1
10	SWL-03	3/8" SS LOCK WASHER	8	5.1
11	SN-03	3/8" SS NUT	4	5.1
12	GWF-06	3/4" GALV FLAT WASHER	1	5.3
13	GB-0622A	3/4" X 2-1/4" GALV BOLT KIT A325	1	5.3
14	GB-03145	3/8" X 1-1/2" GALV BOLT KIT	3	5.3
15	GWF-03	3/8" GALV FLAT WASHER	6	5.3
16	MTM100530-XX	REFERENCE DOCUMENT	1	5.4



© 2019 CommScope, Inc. Confidential

DENSITY	22.04	lbs/in ³
MASS	112.03	lbs
VOLUME	112.03	in ³
SURFACE AREA	2041.23	in ²
HEIGHT	12.2"	
LENGTH	16"	
WIDTH	16"	

COMMSCOPE, INC. OF NORTH CAROLINA										
TOLERANCES					SAP MATERIAL MASTER					
1 PLACE .X ± 0.125		3 PLACE .XXX ± 0.04			MTM100530-XX					
2 PLACE .XX ± 0.06		ANGLES ± 0.5°								
FINISH SEE NOTE 3.1					MATERIAL SEE BOM					
UNLESS OTHERWISE SPECIFIED DIMENSIONS ARE IN INCHES INTERPRET PER ANSI Y 14.5M-1994	CE	JP1130	05/13/2019	W-ANT MOUNT, HI-CAP, KAT, AMP, JMA						
	RW	BL1053	03/19/2020							
	RV									
	AD	JP1130	04/20/2020							
	RE	GR1010	04/27/2020							
ECN 8000039930				SCALE	DOCUMENT NO.					
				2:5	MTM100530-XX					
SIZE	WORK AREA	INSL	MODEL			DRAWING				SHEET 1 OF 2
C			VERSION	STATUS	REVISION	VERSION	STATUS	REVISION		
			02	RE	B	02	RE	B		

4

3

2

1

D

D

C

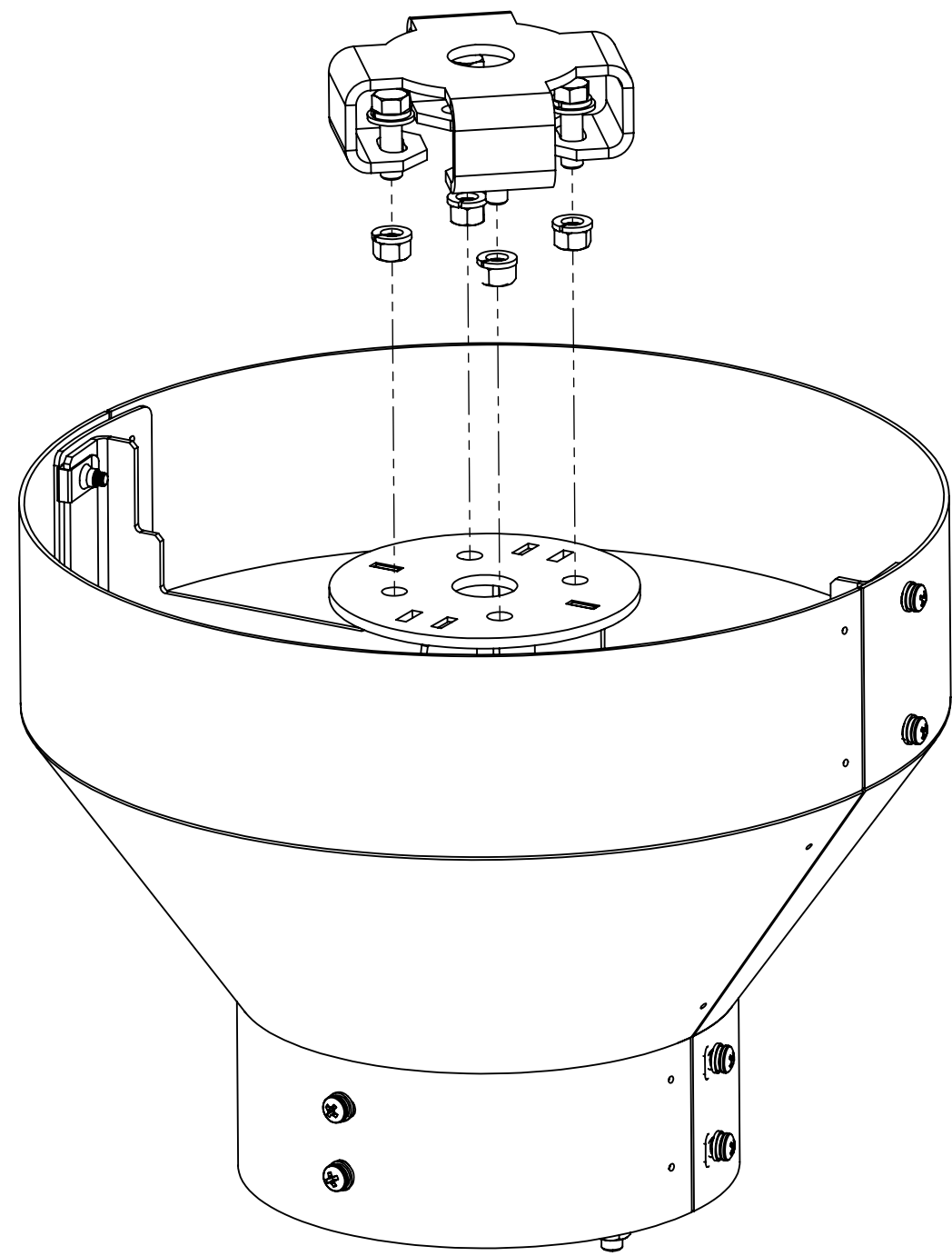
C

B

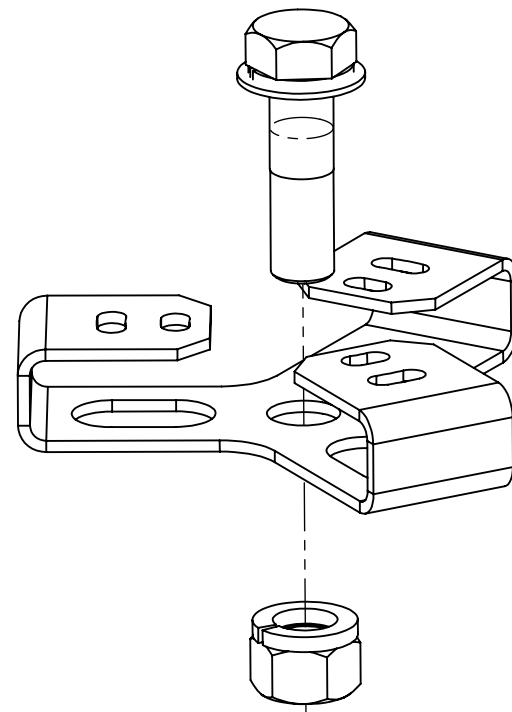
B

A

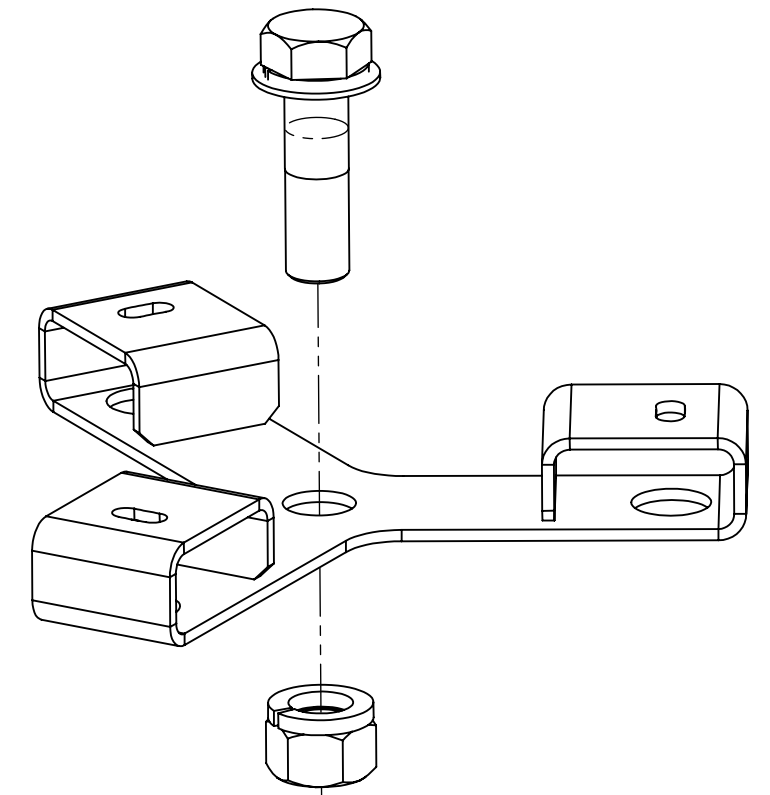
A




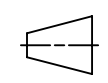
KATHREIN



AMPHENOL



JMA

COMMSCOPE, INC. OF NORTH CAROLINA				
TITLE W-ANT MOUNT,HI-CAP,KAT,AMP,JMA				
SIZE C	SCALE 1:3	DOCUMENT NO. MTM100530-XX		
 		DRAWING		SHEET 2 OF 2
		VERSION 02	STATUS RE	

4

3

2

1