

4

3

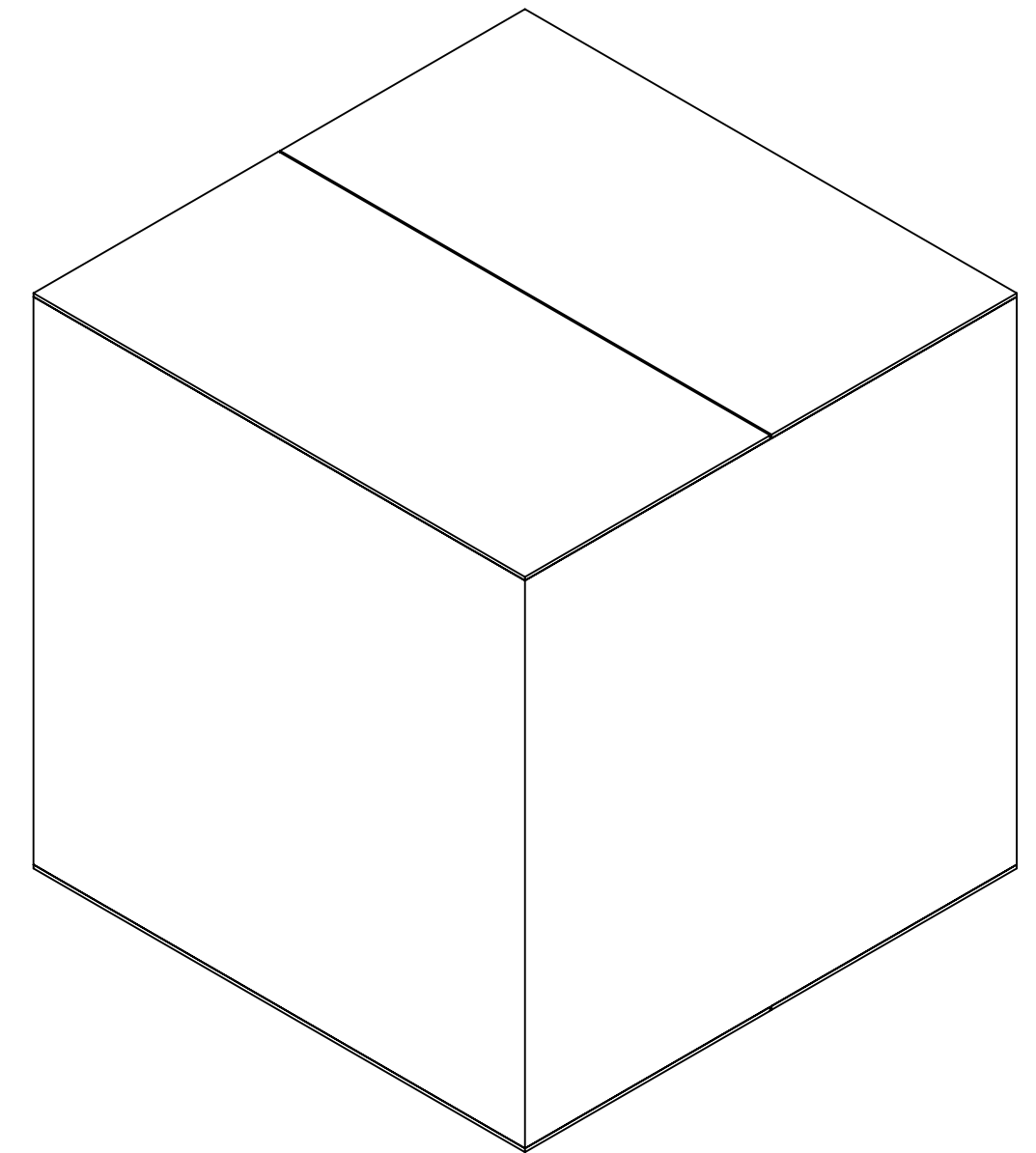
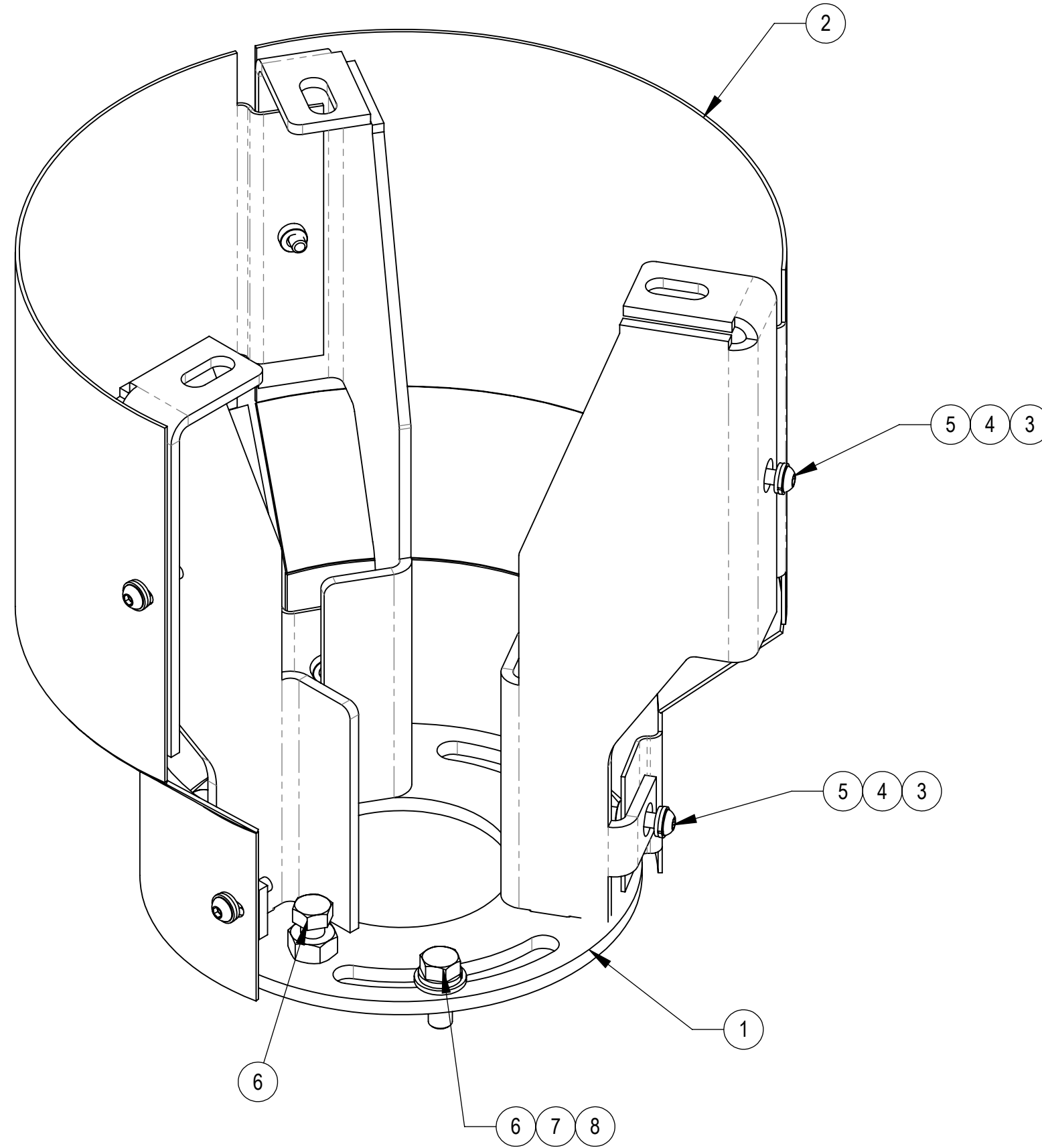
2

1

NOTES:

- 1.0 GENERAL NOTES
 - 1.1 ALL METRIC DIMENSIONS ARE IN BRACKETS
 - 1.2 CRITICAL TO QUALITY MARKED BY
 - 1.3 SOME ITEMS MAY BE HIDDEN FOR CLARITY
- 2.0 DESIGN NOTES
- 3.0 MANUFACTURING/SPECIAL REQUIREMENTS
 - 3.1 FINISH: POWDERCOAT -XX SUFFIX ON PRODUCT PART NUMBER REPRESENTS COLOR AND/OR FINISH. REFER TO METROCELL SPECIFICATION MTM1004 FOR SPECIFIC REQUIREMENTS.
- 4.0 TEST
- 5.0 PACKAGING
 - 5.1 BAG ALL 3/8" HARDWARE IN POLYBAG
 - 5.2 WRAP ASSEMBLED UNIT IN PROTECTIVE FOAM WRAP
 - 5.3 PLACE DRAWING INTO BOX FOR CUSTOMER ASSEMBLY

REVISIONS				
REV.	ECN	DESCRIPTION	BY	DATE
A	8000035078	INITIAL RELEASE	MSM	4/26/2019
B	8000035893	CORRECTED BALLOONS	JL1193	7/3/2019



ITEM NO.	PART NUMBER	DESCRIPTION	QTY.	NOTES
1	MTM1005-2901	WELDMENT, ANT MOUNT,8\"/>		

DENSITY	0.20	lbs/in ³
MASS	12.38	lbs
VOLUME	61.84	in ³
SURFACE AREA		in ²
HEIGHT	14	
LENGTH	14	
WIDTH	14	

COMMSCOPE, INC. OF NORTH CAROLINA										
TOLERANCES					SAP MATERIAL MASTER					
1 PLACE .X ± .12		3 PLACE .XXX ± 0.030			MTM100529-XX					
2 PLACE .XX ± .06		ANGLES ± 0.5°								
FINISH SEE NOTES					MATERIAL N/A					
UNLESS OTHERWISE SPECIFIED DIMENSIONS ARE IN INCHES INTERPRET PER ANSI Y 14.5M-1994	CE	MMCFALL	DATE	B-ANT MOUNT, CS ANT						
	RW	JL1193	07/05/2019							
	RV									
	AD	MMCFALL	07/15/2019							
	RE	JL1193	07/16/2019							
ECN 8000035893		SCALE	DOCUMENT NO.							
		1:4	MTM100529-XX							
SIZE	WORK AREA	INSL	MODEL			DRAWING				SHEET 1 OF 2
C			VERSION	STATUS	REVISION	VERSION	STATUS	REVISION		
			00	RE	A	02	RE	B		

© 2019 CommScope, Inc.

4

3

2

1

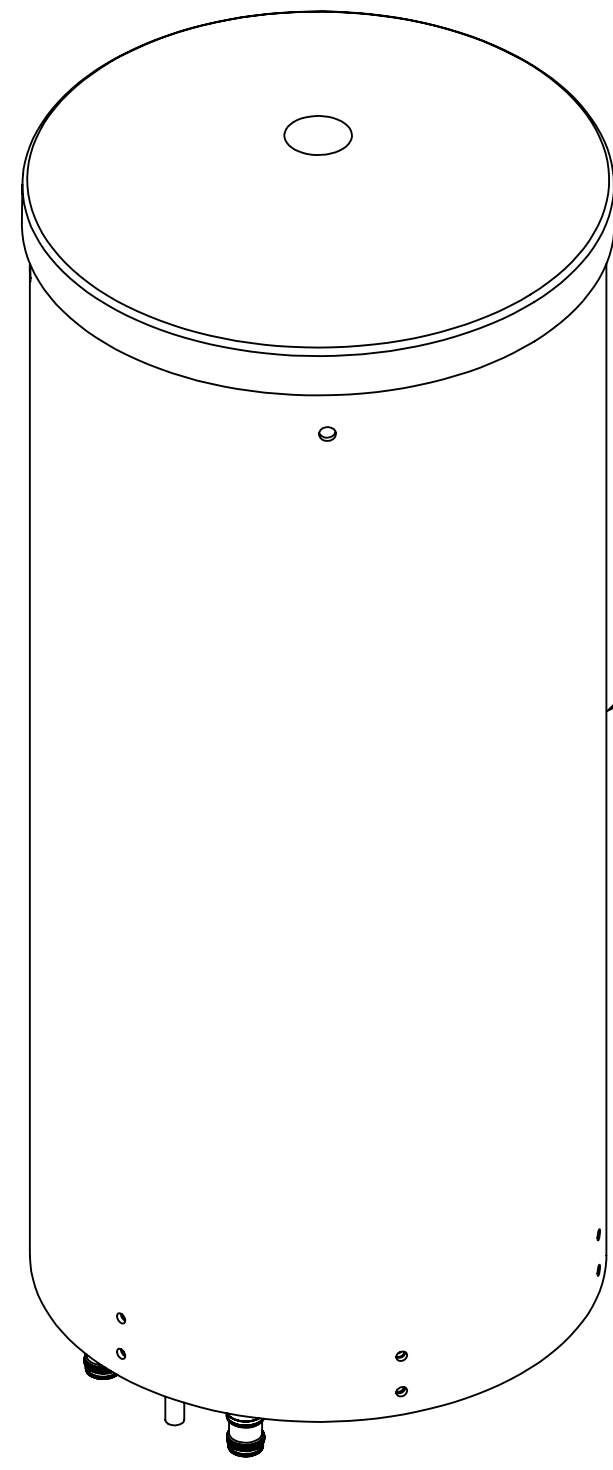
4

3

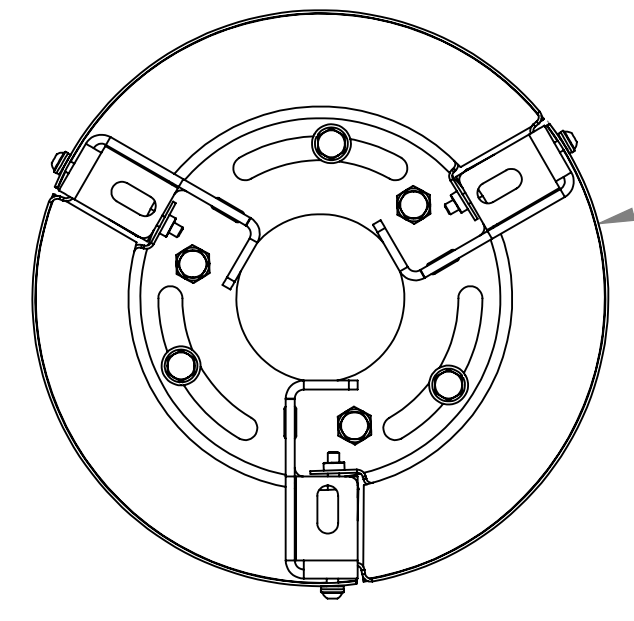
2

1

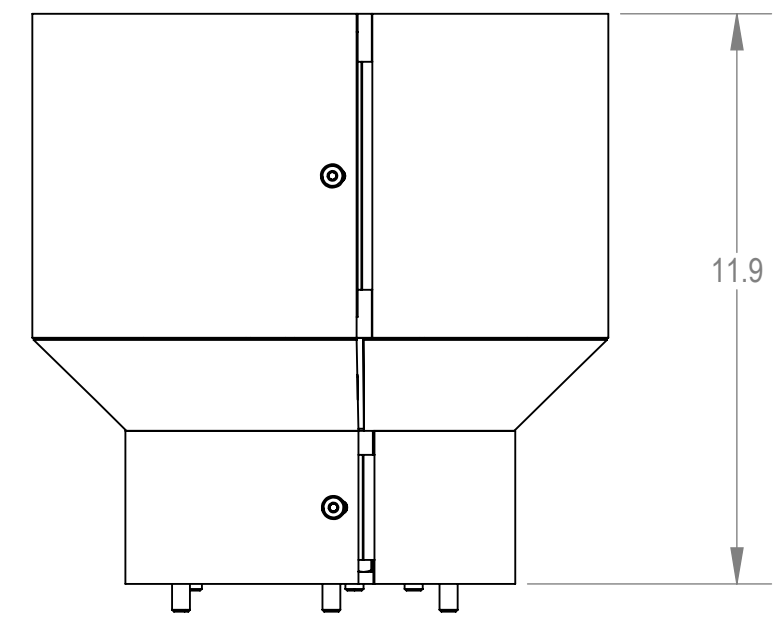
NOTES:



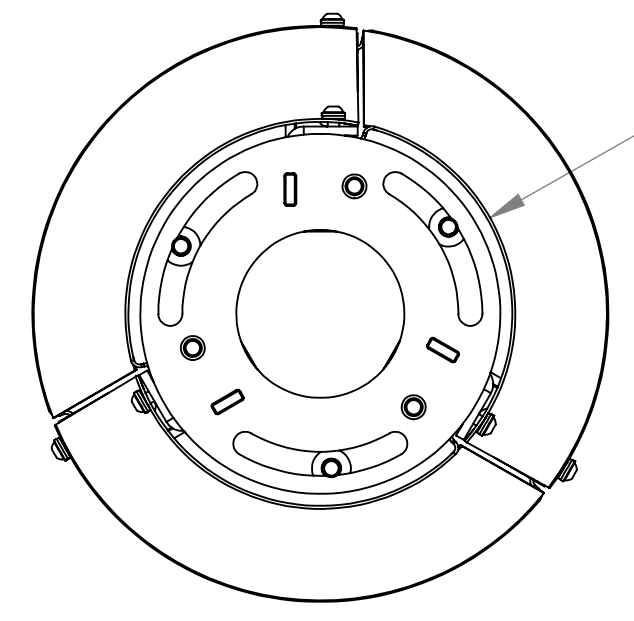
ANTENNA SUPPLIED BY OTHERS



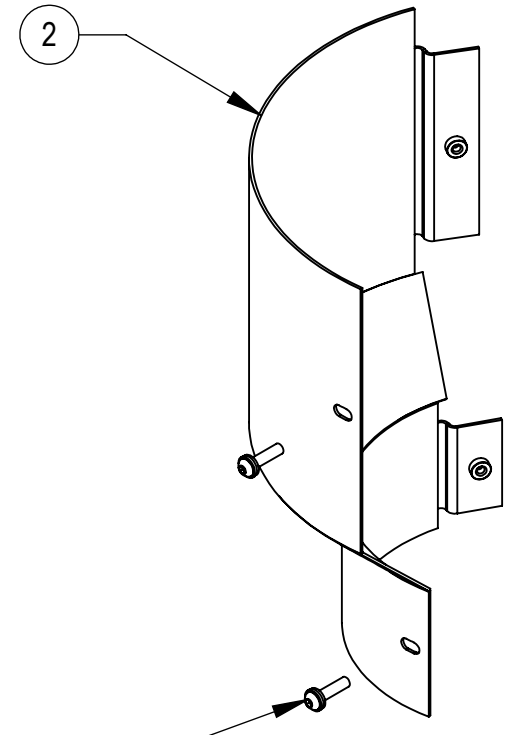
$\varnothing 12.0$



11.9



$\varnothing 8.1$



2

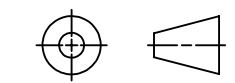
6 7 8

6

3 4 5

COMMSCOPE, INC. OF NORTH CAROLINA				
TITLE B-ANT MOUNT, CS ANT				
SIZE C	SCALE 1:4	DOCUMENT NO. MTM100529-XX		
		DRAWING		SHEET
		VERSION	STATUS	REVISION
		02	RE	B
				SHEET 2 OF 2

© 2019 CommScope, Inc.



4

3

2

1

D

D

C

C

B

B

A

A